

36LF Series

Model PR-LF - Pressure Reducing Valve

LEAD FREE

SUBMITTAL SHEET

"Apollo" Valves



Job Name:	
Job Location:	
Engineer:	
Contractor:	
Tag:	
PO#:	
Rep:	
Wholesale Dist.:	

DESCRIPTION

Apollo® Model PR-LF (36LF Series) Pressure Reducing Valves are designed to protect residential and commercial water distribution systems by controlling excessive pressures. The valves are built for long reliable service with proven ASTM grade materials including a Lead Free* bronze body and stainless steel strainer.

FEATURES

- Lead Free* AB 1953 Certified
- Corrosion Resistant Bronze Body and Bonnet
- 100% Factory Tested, preset to 50 psi (-01)
- Control Pressure Ranges:
10-35 psi, 25-75 psi (standard), 75-125 psi
- Integral SS Strainer
- Balanced Piston Design
- Internal Thermal Expansion By-pass
- Multiple Connection Options
- Optional Pressure Gauge or tapping
- **100% Manufactured in USA**

APPROVALS

- NSF/ANSI 372 - Lead Free
- ASSE 1003
- CSA B356

OPTIONS

- (P) - Tapped w/ Plug
- (G) - Tapped w/ Gauge
- (02) - 10-35 psig
- (03) - 75-125 psig
- (36) - with Standard Material for Non-Potable Applications

STANDARD MATERIALS LIST

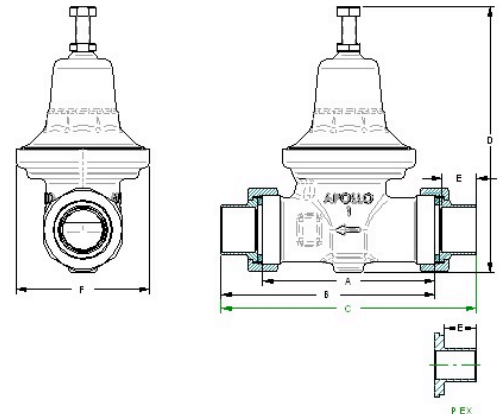
BODY	C89836 Lead Free* Bronze
COVER	Bronze, ASTM B584
DIAPHRAGM	FDA Grade Buna W/ Polyester
SEAT DISC	FDA Grade EPDM
STEM	C27450 Lead Free* Brass
SPRING	Stainless Steel
O-RINGS	NSF Grade EPDM

PERFORMANCE RATING

- Maximum Supply Pressure up to 300 psig
- Temperature Range 33 °F - 180 °F

DIMENSIONS

Size (in.)	Connect Type	Dimensions (in.)						Wt. (Union) lbs. each
		A	B	C	D	E	F	
1/2"	THREAD	4	4-7/8	5-5/8	5-7/8	5/8	2-3/4	3.5
	SOLDER	4	4-7/8	5-5/8	5-7/8	1/2	2-3/4	3.4
	PEX	4	5	5-3/4	5-7/8	5/8	2-3/4	3.3
	CPVC	4	4-5/8	5-1/4	5-7/8	1/2	2-3/4	3.1
3/4"	THREAD	3-7/8	4-7/8	5-5/8	5-7/8	5/8	2-3/4	3.4
	SOLDER	3-7/8	4-7/8	5-5/8	5-7/8	3/4	2-3/4	3.3
	PEX	3-7/8	5	5-3/4	5-7/8	5/8	2-3/4	3.2
	CPVC	3-7/8	4-7/8	5-5/8	5-7/8	5/8	2-3/4	3
1"	THREAD	4-3/8	5-1/2	6-3/8	6-7/8	5/8	3-3/8	4.5
	SOLDER	4-3/8	5-1/2	6-3/8	6-7/8	5/8	3-3/8	4.4
	PEX	4-3/8	5-1/2	6-5/8	6-7/8	7/8	3-3/8	4.3
	CPVC	4-3/8	5-3/4	7	6-7/8	3/4	3-3/8	4
1-1/4"	THREAD	5-3/8	6-1/2	7-1/2	8-7/8	7/8	4	10.2
	SOLDER	5-3/8	6-5/8	7-3/4	8-7/8	1	4	10.1
1-1/2"	THREAD	5-3/8	6-5/8	7-7/8	8-7/8	3/4	4	10.4
	SOLDER	5-3/8	6-3/4	8	8-7/8	1-1/8	4	10.3
2"	THREAD	7-1/8	8-1/2	9-7/8	11-1/2	1	5-3/4	22.5
	SOLDER	7-1/8	8-7/8	10-1/2	11-1/2	1-3/8	5-3/4	22.4



Nominal dimensions are shown. Allowances must be made for manufacturers' tolerances.

*LEAD FREE: The wetted surfaces of this product shall contain no more than 0.25% lead by weighted average. Complies with Federal Public Law III-380. ANSI 3rd party approved and listed.

Customer Service (704) 841-6000
www.apollovalves.com

This specification is provided for reference only. Conbraco Industries Inc. reserves the right to change any portion of this specification without notice and without incurring obligation to make such changes to Conbraco products previously or subsequently sold. Please visit apollovalves.com for the most current information.



36LF Series

Model PR-LF - Pressure Reducing Valve

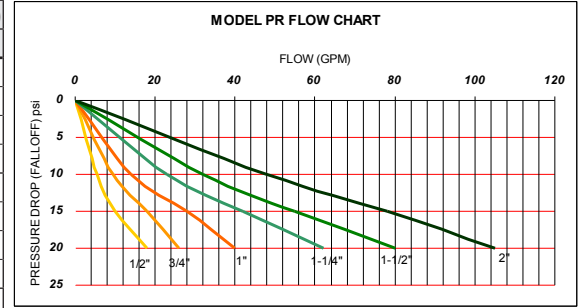
LEAD FREE

SUBMITTAL SHEET

"Apollo" Valves

FLOW CAPACITY

Pipe Size	Fall-Off* (PSI)	Pressure Differential (PSI)			Pipe Size	Fall-Off* (PSI)	Pressure Differential (PSI)		
		25	50	75			25	50	75
1/2"	5	1.3	1.5	1.7	1-1/4"	5	8.5	10	11.5
	10	4.7	5.5	6.3		10	19.6	23	26.5
	15	10.6	12.5	14.4		15	35.7	42	48.3
	20	15.3	18	20.7		20	53	62	71
3/4"	5	2.1	2.5	2.9	1-1/2"	5	12	14	16
	10	6.8	8	9.2		10	27	32	37
	15	13.2	15.5	17.8		15	48	56	64
	20	18.3	21.5	24.7		20	68	80	92
1"	5	2.8	3.3	3.7	2"	5	15	18	21
	10	8.5	10	11.5		10	39	46	53
	15	15.3	18	20.7		15	66	78	90
	20	21.3	25	28.8		20	94	110	127



Note: Flow curves are based on static conditions of 100psi inlet pressure and 50 psi outlet pressure.
 Pressure differential is the difference between the supply pressure and adjusted outlet pressure measured in the static (closed) condition.
 Pressure fall-off is the decrease in downstream regulated pressure as the flow increases.

MODEL NUMBER

PR	X	X	X	X	X	LF
UNION	GAUGE	PRESSURE RANGE	SIZE	END CONNECTION*		
blank = Single Union	blank = No Gauge Port	blank = 25 - 75 PSIG	12 = 1/2"	blank = FNPT x FNPT	LF = Lead Free	
E = Extended Union	P = w/Gauge Port Plugged	L = 10 - 35 PSIG	34 = 3/4"	Single Union	blank = Non Potable	
D = Double Union	G = w/Pressure Gauge	H = 75 - 125 PSIG	1 = 1"	S = Solder x FNPT		
T = No Union (Threaded Only)			114 = 1-1/4"	C = CPVC x FNPT		
			112 = 1-1/2"	S = Solder x Solder		
			2 = 2"	C = CPVC x CPVC		
				X = PEX x PEX		
				B = BSPT x BSPT		
				SC = Solder x CPVC		
				SX = Solder x PEX		
				CX = CPVC x PEX		

*Also available with Press Connections.
 See 36-PR Series submittal.

PART NUMBER

36LF	X	XX	X	X	X
SERIES	CONNECTION	SIZE	GAUGE	PRESSURE	OPTION
36LF	1 = Single Union NPT	03 = 1/2"	0 = Without Gauge	1 = 25 - 75 PSIG range	Blank = No Option
36 (non potable)	2 = No Union NPT	04 = 3/4"	P = w/Gauge Port Plugged	2 = 10 - 35 PSIG range	C = CPVC Tailpiece
	3 = Single Union Solder x NPT	05 = 1"	G = w/Gauge	3 = 75 - 125 PSIG range	S = Sealed Cage
	4 = Double Union NPT	06 = 1-1/4"	X = PEX		
	5 = Double Union Solder	07 = 1-1/2"			
	6 = Single Union Meter	08 = 2"			
	8 = Double Union CPVC				
	9 = Double Union PEX				