



Vented Pressure Powered Pump Packages PPEC/PTC/PTF

The modular pumping system consists of the standard PPEC/PTC/PTF Pressure Powered Pumps, pre-piped with the necessary auxiliary components and integral receiver mounted on a skid base. The unit offers versatility of providing a base mounted module and pump with added modular options for a comprehensive fully engineered modular package ensuring a technically correct and complete hook up.

Standard Pump Packages

Model		PPEC Simplex Pump Package	PPEC Duplex Pump Package
Limiting Conditions	PMA:	See TI-5-218-US	See TI-5-218-US
	TMA:	See TI-5-218-US	See TI-5-218-US
	Receiver Tank:	Rated for atmospheric pressure only. 650 °F/0 psi g Sized for flash steam rates of up to 375 lb/hr.	Rated for atmospheric pressure only. 650 °F/0 psi g Sized for flash steam rates of up to 375 lb/hr for 1" PPEC and 1150 lb/hr for 1 1/2" PPEC.
Sizes	Pump:	1" x 1" & 1 1/2" x 1 1/2"	1" x 1" & 1 1/2" x 1 1/2"
	Receiver:	Commercial Grade: 8 Gallons Industrial Grade: 12 Gallon ASME	Commercial Grade: 1" PPEC 8 Gallons 1 1/2" PPEC 26 Gallons Industrial Grade: 1" PPEC 8 Gallon ASME 1 1/2" PPEC 26 Gallon ASME
Capacity		See TI-5-202	See TI-5-202
Construction		Commercial Grade: Fabricated steel receiver tank and frame Cast iron pump body Stainless steel pump internals Stainless steel check valves Industrial Grade: Fabricated steel receiver tank and frame Cast steel pump body Stainless steel pump internals Stainless steel check valves	Commercial Grade: Fabricated steel receiver tank and frame Cast iron pump body Stainless steel pump internals Stainless steel check valves Industrial Grade: Fabricated steel receiver tank and frame Cast steel pump body Stainless steel pump internals Stainless steel check valves

Standard Pump Packages (continued)

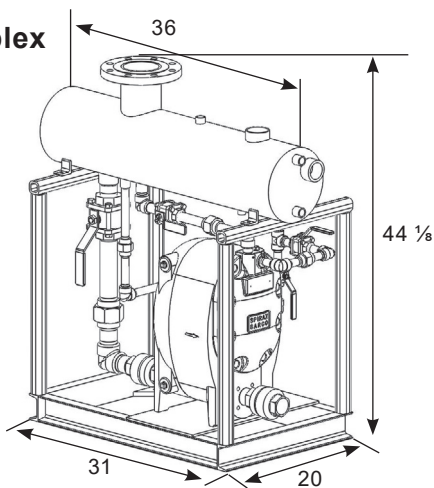
Model		PTC Simplex Pump Package	PTC Duplex Pump Package
Limiting Conditions	PMA:	See TI-5-010-US	See TI-5-010-US
	TMA:	See TI-5-010-US	See TI-5-010-US
	Receiver Tank:	Rated for atmospheric pressure only. 650 °F/0 psi g	Rated for atmospheric pressure only. 650 °F/0 psi g
Sized for flash steam rates of up to 1150 lb/hr.		Sized for flash steam rates of up to 2000 lb/hr.	
Sizes	Pump:	2" x 2" & 3" x 2"	2" x 2" & 3" x 2"
	Receiver:	26 Gallons	57 Gallons
Capacity		See TI-5-030	See TI-5-030
Construction		Fabricated steel receiver tank and frame. Ductile Iron pump body Stainless steel pump internals Stainless steel check valves	Fabricated steel receiver tank and frame. Ductile Iron pump body Stainless steel pump internals Stainless steel check valves
Model		PTF Simplex Pump Package	PTF Duplex Pump Package
Limiting Conditions	PMA:	See TI-5-230-US	See TI-5-230-US
	TMA:	See TI-5-230-US	See TI-5-230-US
	Receiver Tank:	Rated for atmospheric pressure only. 650 °F/0 psi g	Rated for atmospheric pressure only. 650 °F/0 psi g
Sized for flash steam rates of up to 1475 lb/hr.		Sized for flash steam rates of up to 2500 lb/hr.	
Sizes	Pump:	2" x 2" & 3" x 2"	2" x 2" & 3" x 2"
	Receiver:	31 Gallons	65 Gallons
Capacity		See TI-5-030	See TI-5-030
Construction		Fabricated steel receiver tank and frame. Fabricated pump body, ASME coded. Stainless steel pump internals Stainless steel check valves	Fabricated steel receiver tank and frame. Fabricated pump body, ASME coded. Stainless steel pump internals Stainless steel check valves

Standard Pump Package Options

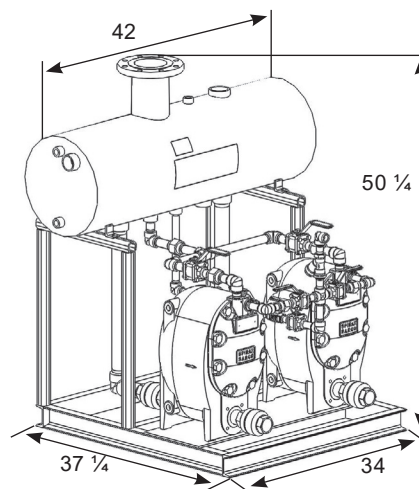
- Pump motive inlet (fully trapped) and exhaust piping.
- Pump and receiver gauge glass
- Overflow pipe.
- Inline strainer
- Pump drain
- Pressure gauges
- Receiver only
- Receiver with modified connections.
- ASME coded receiver (150 psi g @ 450 °F)
- Pump isolation valve on outlet.

Vented Pressure Powered Pump Packages PPEC/PTC/PTF

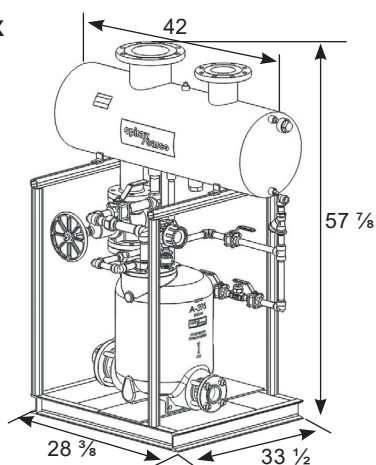
PPEC Simplex Pump Package



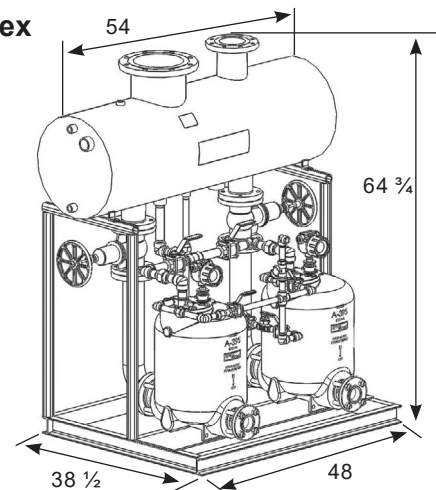
1 1/2" PPEC Duplex Pump Package



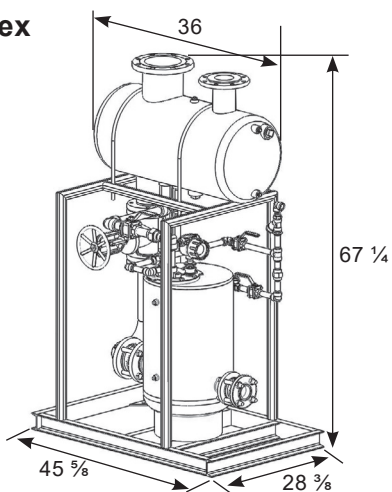
PTC Simplex Pump Package



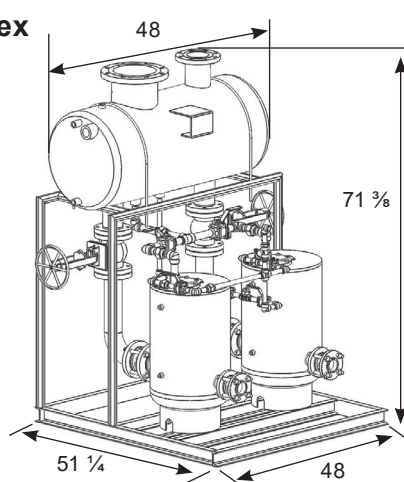
PTC Duplex Pump Package



PTF Simplex Pump Package



PTF Duplex Pump Package



Note: All packages shown as base package with steam inlet and exhaust pipe modular option included. All sizes are approximate.