

General Purpose Ball Valves

GP Series Ball Valve is a true tube valve solution for tubing systems. It is available from 1/4" to 1" with integral tube end connections for tube-to-tube, and from 1/4" to 1/2" with integral female pipe threads for female-to-female pipe applications.

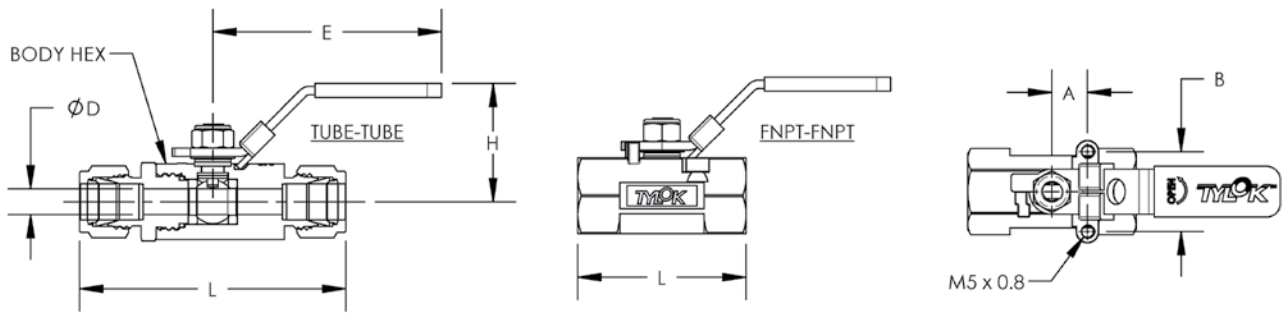
Tylok General Purpose Ball Valve Series is a moderate pressure ball valve for general service. They were designed for tight shutoff, long service life, and low operating torque.

- 2,000 psig (138 bar) Pressure Rating
- 400 °F (204 °C) Temperature Rating
- Built-in actuator mounting holes for ease of automation
- Bi-directional flow in fully open or fully closed position only
- Compact in size but with high flow capacity
- Locking Handle in both On and Off position
- Oval or Butterfly Handles available
- (locking device not available on butterfly handles)



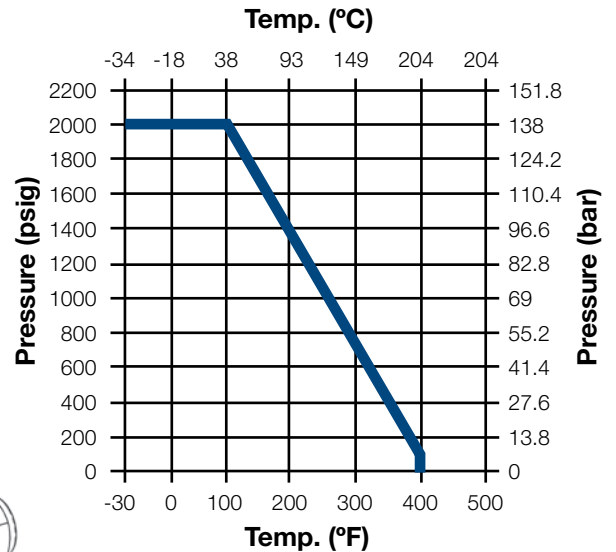
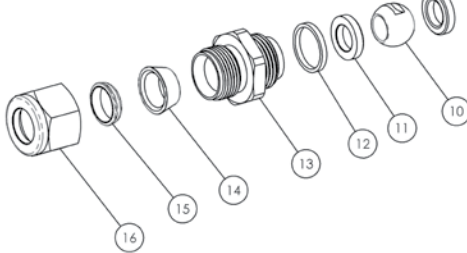
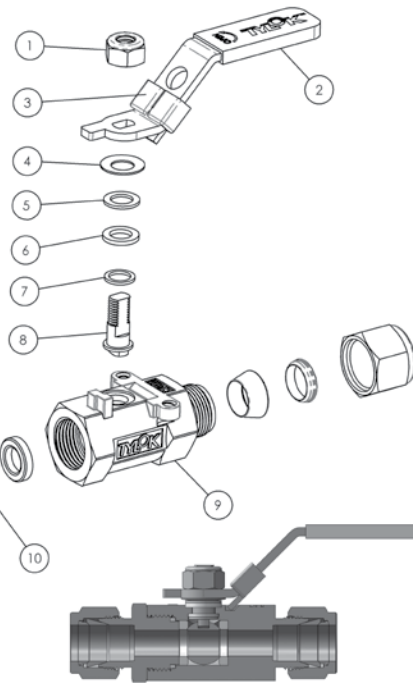
FEATURES

- Blow-out Proof Stem
- Stainless Steel Construction
- Locking Handles in On and Off positions
- Mounting Holes Available for Automation
- Material: Stainless Steel Cast "CF8M"
- Pressure Rating: 2000 psi (138 bar) at 100°F (38°C)
- Temperature Rating: 400°F (204°C) max.
- Seat Material: TFM 1600
- Flow Coefficient (Cv) 1.20 to 17.35
- Size Range: 1/4" to 1"
- End Connections:
 - Integral Tube Fitting (Both Twin [CBC-Lok®] and Single [CS-Lok®] Ferrule Designs)
 - Female NPT X Female NPT
- 100% factory leak tested with nitrogen at 1000 psi. Maximum allowable leak rate is 0.1 std cc/min.



End Connection		Part No.	Cv	Orifice (ØD)	A	B	E	H	L	Body Hex
Type	Size									
Female NPT to Female NPT	1/4	SS-GP4-F4F4	1.20	.20	.50	1.12	2.44	1.38	1.89	3/4
	3/8	SS-GP6-F6F6	2.40	.28	.50	1.12	3.15	1.46	2.09	7/8
	1/2	SS-GP8-F8F8	4.27	.36	.50	1.12	3.23	1.69	2.48	1-1/16
CBC-Lok® Tube Fitting	1/4	SS-GP4-D4D4	1.25	.20	.50	1.12	2.44	1.38	2.95	3/4
	3/8	SS-GP6-D6D6	2.50	.28	.50	1.12	3.15	1.46	3.15	7/8
	1/2	SS-GP8-D8D8	9.25	.36	.50	1.12	3.23	1.69	3.75	1-1/16
	3/4	SS-GP12-D12D12	12.65	.49	.50	1.12	3.74	3.74	4.34	1-5/16
CS-Lok® Tube Fitting	1	SS-GP16-D16D16	17.35	.59	.87	1.37	4.02	2.05	4.91	1-5/8
	1/4	SS-GP4-S4S4	1.25	.20	.50	1.12	2.44	1.38	2.95	3/4
	3/8	SS-GP6-S6S6	2.50	.28	.50	1.12	3.15	1.46	3.16	7/8
	1/2	SS-GP8-S8S8	9.25	.36	.50	1.12	3.23	1.69	3.76	1-1/16
	3/4	SS-GP12-S12S12	12.65	.49	.50	1.12	3.74	3.74	4.35	1-5/16
1	SS-GP16-S16S16	17.35	.59	.87	1.37	4.02	2.05	4.89	1-5/8	

NO.	DESCRIPTION	QTY	MATERIAL
1	Hex Lock Nut (with Nylon Insert)	1	SS304
2	Handle	1	SS304
3	Locking Device	1	SS304
4	Belleville Washer	1	SS301
5	Washer	1	SS304
6	Stem Packing	1	PTFE
7	Thrust Washer	1	PTFE
8	Stem	1	SS316
9	Body	1	ASTM A351 Gr. CF8M
10	Ball	1	CF8M
11	Seat	2	TFM1600
12	Gasket	1	PTFE
13	End Cap	1	ASTM A351 Gr. CF8M
14	Front Ferrule	2	SS316
15	Rear Ferrule	2	SS316
16	CBC-Lok® / CS-Lok® Nut	2	SS316



To determine the pressure rating (in psig) at a given temperature past 100 °F, multiply the temperature (in °F) by 6.33 and add 2633.

For example, the pressure rating at 250 °F would be:

$$P = 250 * -6.33 + 2633$$

$$P = 1050.5 \text{ psig}$$