



T&S BRASS AND BRONZE WORKS, INC.

2 Saddleback Cove / P.O. Box 1088
Travelers Rest, SC 29690

Model No.

B-1141-04XS-F12

Item No.

Travelers Rest, SC: 800-476-4103 • Simi Valley, CA: 800-423-0150 • Fax: 864-834-3518 • www.tsbrass.com



ADA Compliant

This Space for Architect/Engineer Approval

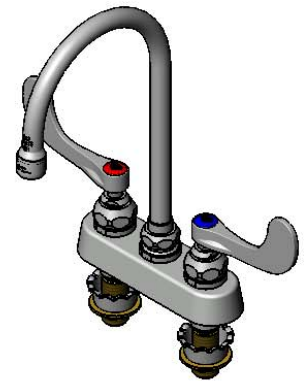
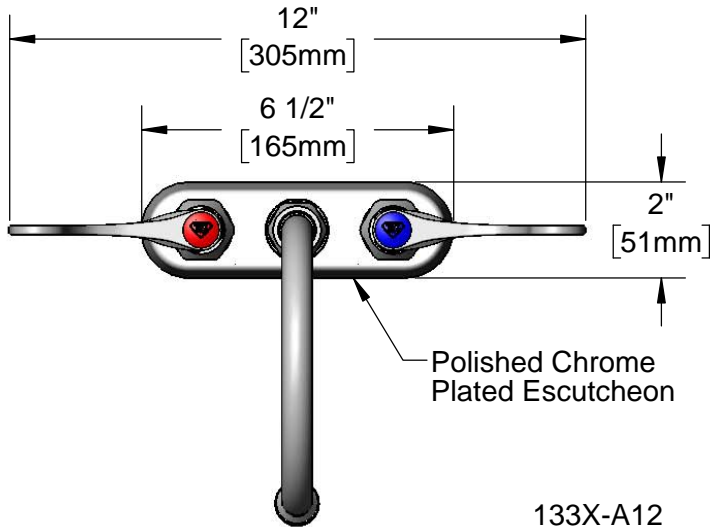
Job Name _____ Date _____

Model Specified _____ Quantity _____

Customer/Wholesaler _____

Contractor _____

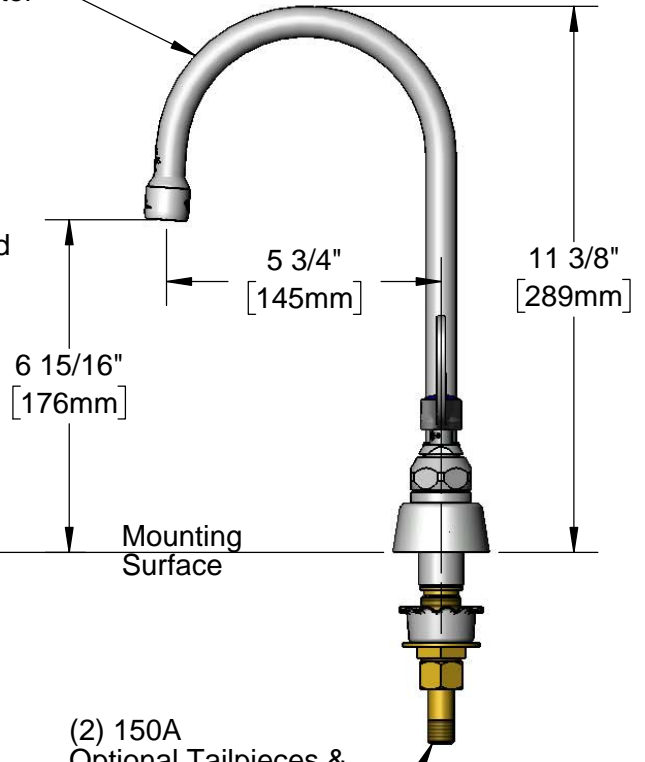
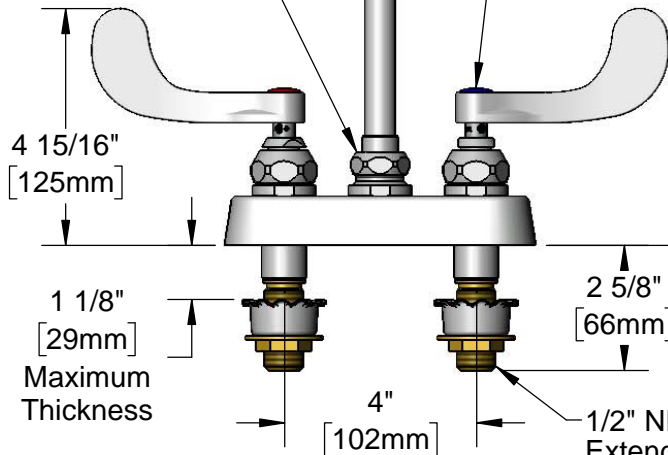
Architect/Engineer _____



133X-A12
6" Swivel Gooseneck
w/ 1.2 GPM Aerator

Swivel Joint
Converts to Rigid
w/ 014200-45
Lock Washer
(Included)

Quarter-Turn Eterna
Cartridges w/ Spring
Checks & Wrist Action
Handles w/ Color Coded
Indexes



(2) 150A
Optional Tailpieces &
Nuts for 1/4" NPT
Connection (Included)

Rough-In Requirement:
(2) ϕ 1" [25mm] Mounting Holes

Product Specifications:

4" Deck Mount Workboard Faucet, Quarter-Turn Eterna Cartridges w/ Spring Checks, 4" Wrist Action Handles, 6" Swivel Gooseneck, 1.2 GPM Aerator & 1/2" NPSM Extended Male Inlets

Product Compliance:

ASME A112.18.1 / CSA B125.1
NSF 61 - Section 9
NSF 372 (Low Lead Content)
ANSI A117.1 (ADA)
EPA WaterSense

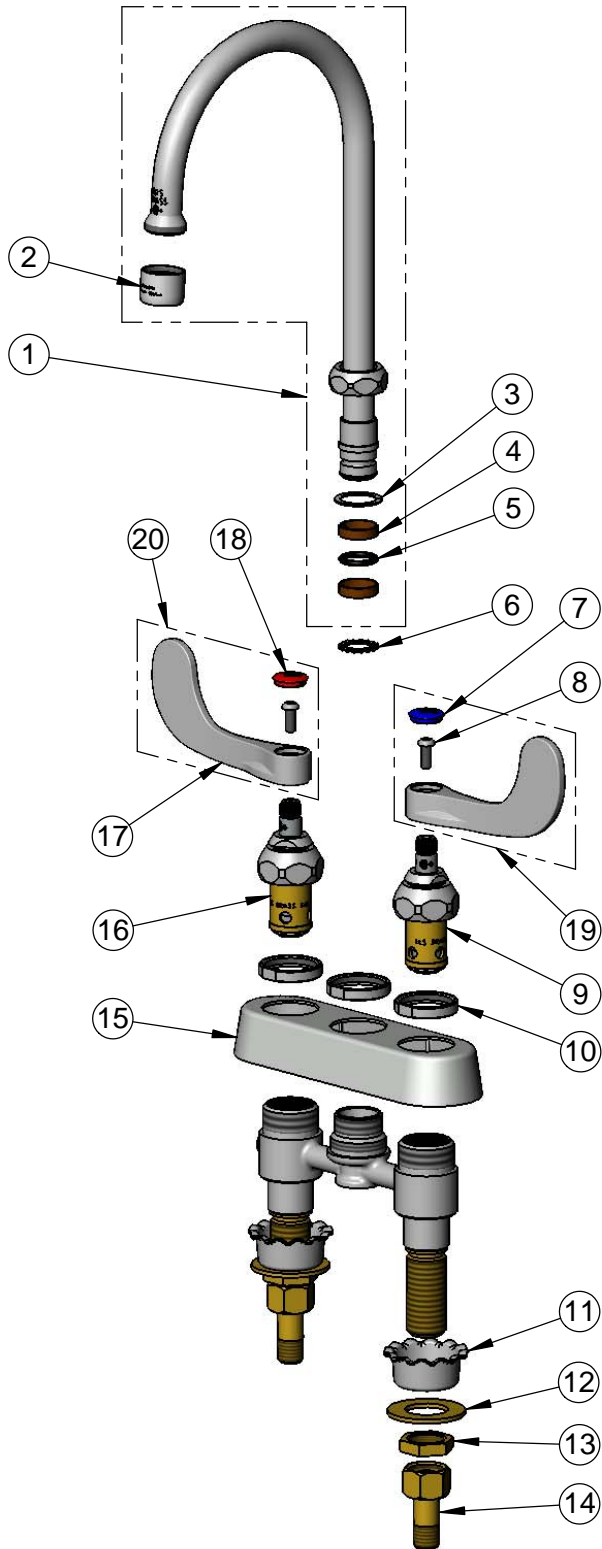


T&S BRASS AND BRONZE WORKS, INC.
 2 Saddleback Cove / P.O. Box 1088
 Travelers Rest, SC 29690

Model No.
B-1141-04XS-F12

Item No.

Travelers Rest, SC: 800-476-4103 • Simi Valley, CA: 800-423-0150 • Fax: 864-834-3518 • www.tsbrass.com



ITEM NO.	SALES NO.	DESCRIPTION
1	133X-A12	6" Swivel Gooseneck w/ 1.2 GPM Aerator
2	B-0199-01-F12	1.2 GPM Aerator, 55/64-27 UN Female
3	009538-45	Swivel Washer
4	011429-45	Swivel Sleeves (2)
5	001074-45	O-Ring
6	014200-45	Star Washer, Anti-Rotation
7	018506-19NS	Blue Button Index, Press-in
8	000925-45	Lab Handle Screw
9	012442-40NS	Quarter-Turn New Style Eterna Cartridge w/ Spring Check, LTC
10	019376-40	Escutcheon Lock Nut
11	001000-45	Rosette Washer
12	000999-45	Brass Lock Washer
13	002954-45	Shank Lock Nut
14	150A	1/4" NPT Tailpiece & Nut
15	019374-40	B-1110 Eterna Workboard Escutcheon
16	012433-40NS	Quarter-Turn New Style Eterna Cartridge w/ Spring Check, RTC
17	B-WH4-NS	Wrist Action Handle (New Style)
18	001193-19NS	Red Button Index, Press-in
19	B-WH4C-NS	Wrist Action Handle, Blue Index & Screw
20	B-WH4H-NS	Wrist Action Handle, Red Index & Screw

Product Specifications:

4" Deck Mount Workboard Faucet, Quarter-Turn Eterna Cartridges w/ Spring Checks, 4" Wrist Action Handles, 6" Swivel Gooseneck, 1.2 GPM Aerator & 1/2" NPSM Extended Male Inlets

Product Compliance:

ASME A112.18.1 / CSA B125.1
 NSF 61 - Section 9
 NSF 372 (Low Lead Content)
 ANSI A117.1 (ADA)
 EPA WaterSense