



T&S BRASS AND BRONZE WORKS, INC.
 2 Saddleback Cove / P.O. Box 1088
 Travelers Rest, SC 29690

Model No.
B-0890-VRS

Item No.

Travelers Rest, SC: 800-476-4103 • Simi Valley, CA: 800-423-0150 • Fax: 864-834-3518 • www.tsbrass.com



ADA Compliant

This Space for Architect/Engineer Approval

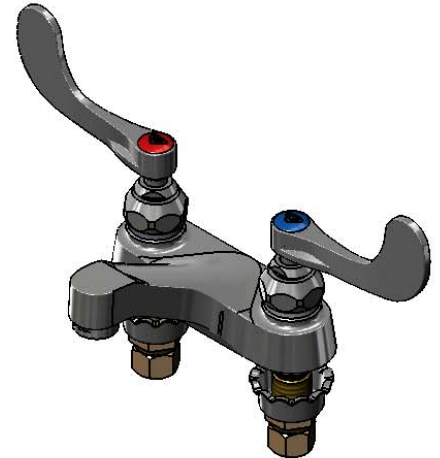
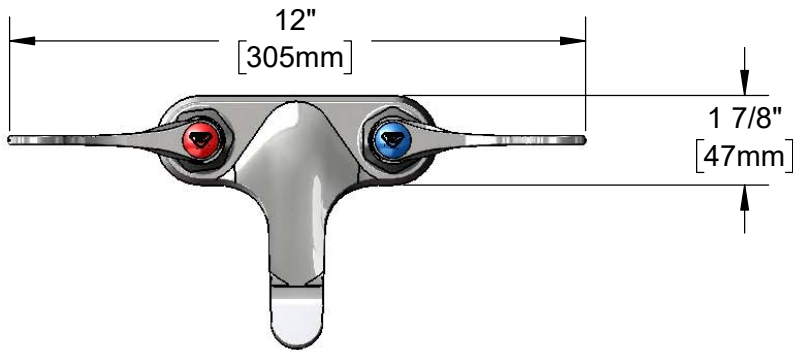
Job Name _____ Date _____

Model Specified _____ Quantity _____

Customer/Wholesaler _____

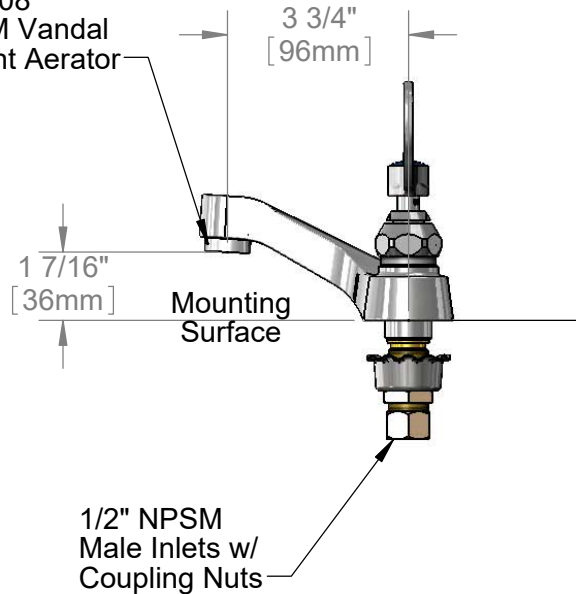
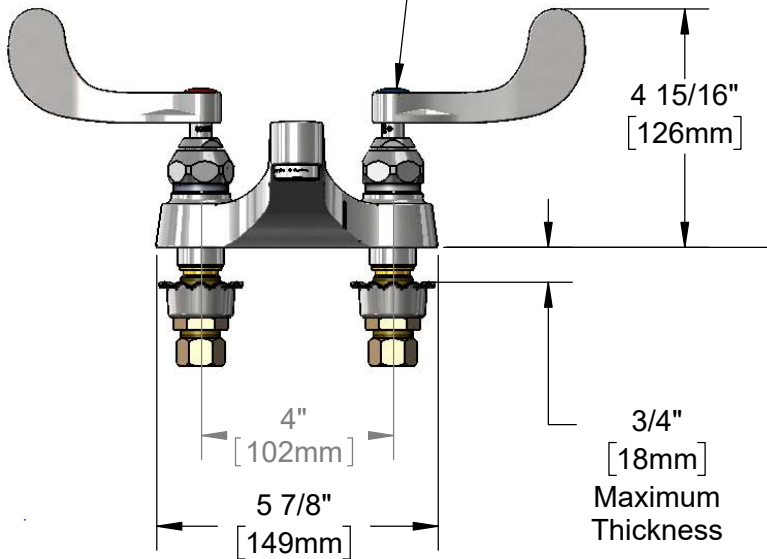
Contractor _____

Architect/Engineer _____



Quarter-Turn Eterna Cartridges
 w/ Spring Checks &
 4" Wrist Action Handles w/
 VR Screws & Color Coded Indexes

B-0199-08
 2.2 GPM Vandal
 Resistant Aerator



Rough-In Requirement:
 (2) ϕ 1 1/8" [29mm] Mounting Holes

Product Specifications:
 4" Centerset Deck Mount Faucet, Quarter-Turn Eterna Cartridges w/ Spring Checks, 4" Wrist Action Handles w/ VR Screws, 2.2 GPM VR Aerator & 1/2" NPSM Male Inlets w/ Coupling Nuts

Product Compliance:
 ASME A112.18.1 / CSA B125.1
 NSF 61 - Section 9
 NSF 372 (Low Lead Content)
 ANSI A117.1 (ADA)

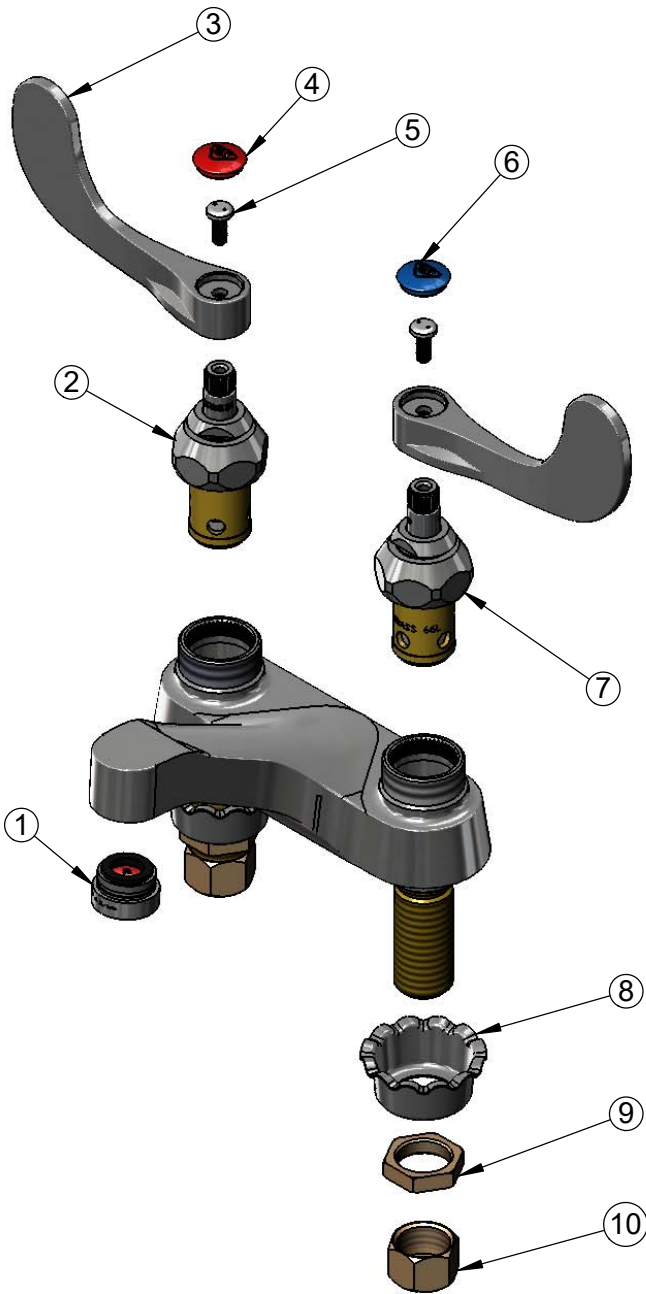


T&S BRASS AND BRONZE WORKS, INC.
 2 Saddleback Cove / P.O. Box 1088
 Travelers Rest, SC 29690

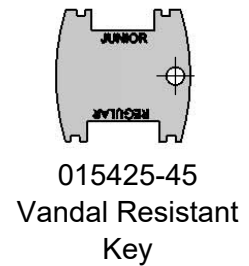
Model No.
B-0890-VRS

Item No.

Travelers Rest, SC: 800-476-4103 • Simi Valley, CA: 800-423-0150 • Fax: 864-834-3518 • www.tsbrass.com



ITEM NO.	SALES NO.	DESCRIPTION
1	B-0199-08	VR 2.2 GPM Aerator, 13/16-27 UN Male w/ Key
2	012443-40NS	Quarter-Turn Eterna Cartridge w/ Spring Check, RTC
3	B-WH4-NS	Wrist Action Handle (New Style)
4	001193-19NS	Red Button Index, Press-in
5	VRS-2	VR Wrist Action Handle Screw (2) w/ Spanner Bit
6	018506-19NS	Blue Button Index, Press-in
7	012442-40NS	Quarter-Turn Eterna Cartridge w/ Spring Check, LTC
8	001000-45	Rosette Washer
9	002954-45	Shank Lock Nut
10	000958-20	Coupling Nut



Product Specifications:
 4" Centerset Deck Mount Faucet, Quarter-Turn Eterna Cartridges w/ Spring Checks, 4" Wrist Action Handles w/ VR Screws, 2.2 GPM VR Aerator & 1/2" NPSM Male Inlets w/ Coupling Nuts

Product Compliance:
 ASME A112.18.1 / CSA B125.1
 NSF 61 - Section 9
 NSF 372 (Low Lead Content)
 ANSI A117.1 (ADA)