



# T&S BRASS AND BRONZE WORKS, INC.

2 Saddleback Cove / P.O. Box 1088  
Travelers Rest, SC 29690

Model No.

**B-1146**

Item No.

Travelers Rest, SC: 800-476-4103 • Simi Valley, CA: 800-423-0150 • Fax: 864-834-3518 • www.tsbrass.com



**ADA Compliant**

This Space for Architect/Engineer Approval

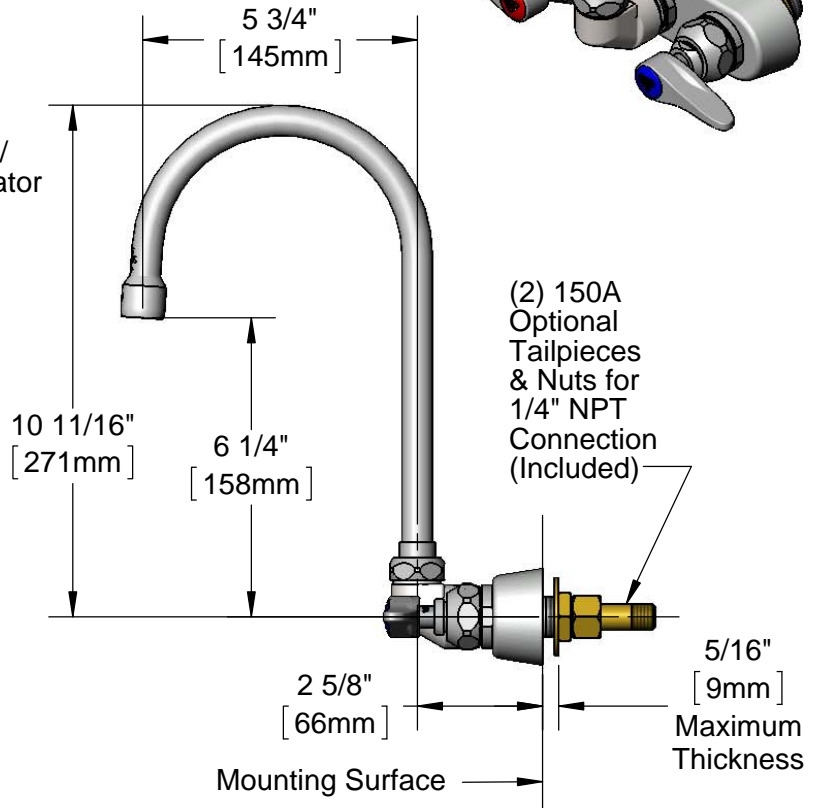
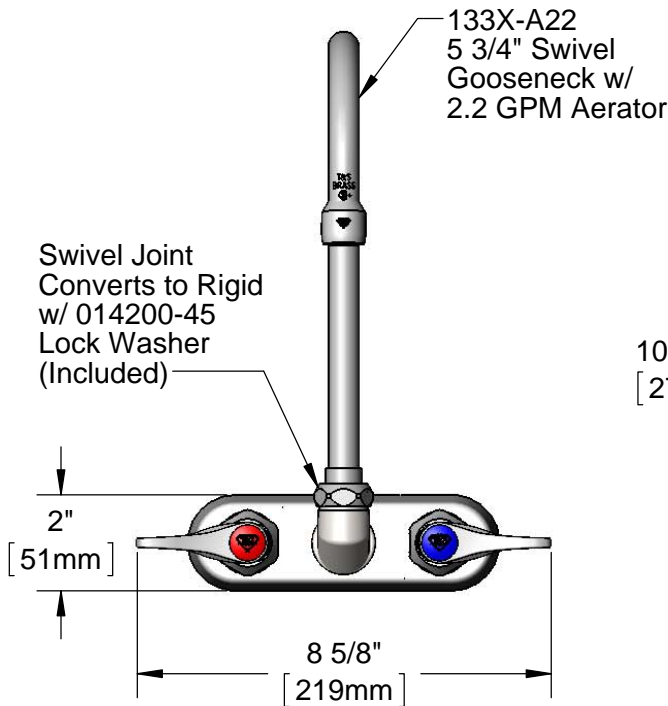
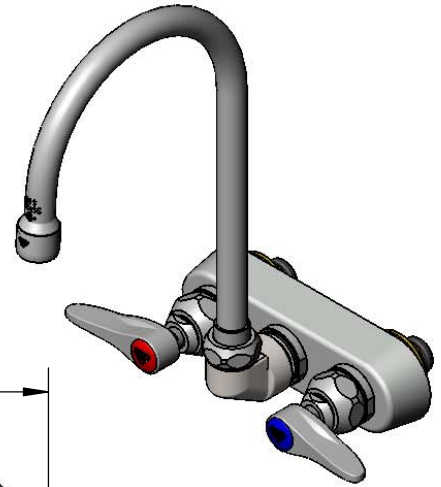
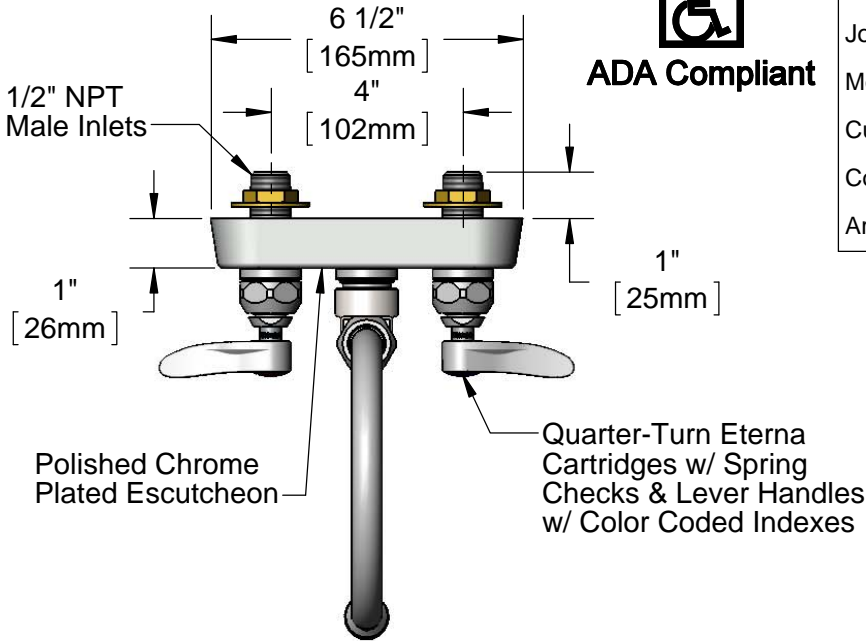
Job Name \_\_\_\_\_ Date \_\_\_\_\_

Model Specified \_\_\_\_\_ Quantity \_\_\_\_\_

Customer/Wholesaler \_\_\_\_\_

Contractor \_\_\_\_\_

Architect/Engineer \_\_\_\_\_



Rough-In Requirement:  
(2)  $\varnothing$  1" [25mm] Mounting Holes

Product Specifications:  
4" Wall Mount Workboard Faucet, Quarter-Turn Eterna Cartridges w/ Spring Checks, Lever Handles, 5 3/4" Swivel Gooseneck, 2.2 GPM Aerator & 1/2" NPT Male Inlets

Product Compliance:  
ASME A112.18.1 / CSA B125.1  
NSF 61 - Section 9  
NSF 372 (Low Lead Content)  
ANSI A117.1 (ADA)



# T&S BRASS AND BRONZE WORKS, INC.

2 Saddleback Cove / P.O. Box 1088  
Travelers Rest, SC 29690

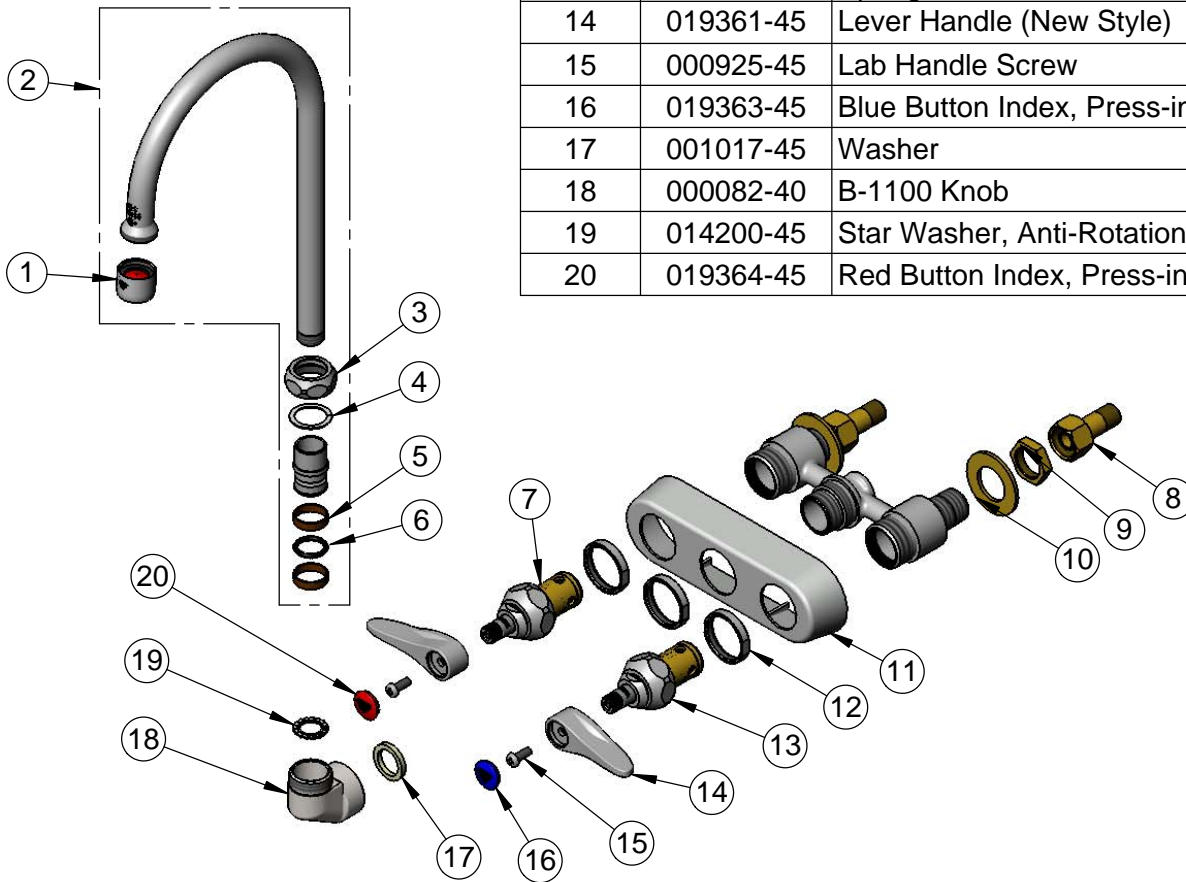
Model No.

**B-1146**

Item No.

Travelers Rest, SC: 800-476-4103 • Simi Valley, CA: 800-423-0150 • Fax: 864-834-3518 • www.tsbrass.com

| ITEM NO. | SALES NO. | DESCRIPTION  |
|----------|-----------|--|
| 1        | B-0199-01 | 2.2 GPM Aerator, 55/64"-27 UN Female                         |
| 2        | 133X-A22  | 5 3/4" Swivel Gooseneck w/ 2.2 GPM Aerator                   |
| 3        | 019360-40 | Swivel Nut (New Style)                                       |
| 4        | 009538-45 | Swivel Washer  |
| 5        | 011429-45 | Swivel Sleeves (2)   |
| 6        | 001074-45 | O-Ring   |
| 7        | 019382-40 | Quarter-Turn New Style Eterna Cartridge w/ Spring Check, LTC |
| 8        | 150A      | 1/4" NPT Tailpiece & Nut                                     |
| 9        | 002954-45 | Shank Lock Nut   |
| 10       | 000999-45 | Brass Lock Washer  |
| 11       | 019374-40 | B-1110 Eterna Workboard Escutcheon                           |
| 12       | 019376-40 | Escutcheon Lock Nut  |
| 13       | 019383-40 | Quarter-Turn New Style Eterna Cartridge w/ Spring Check, RTC |
| 14       | 019361-45 | Lever Handle (New Style)                                     |
| 15       | 000925-45 | Lab Handle Screw   |
| 16       | 019363-45 | Blue Button Index, Press-in                                  |
| 17       | 001017-45 | Washer   |
| 18       | 000082-40 | B-1100 Knob  |
| 19       | 014200-45 | Star Washer, Anti-Rotation                                   |
| 20       | 019364-45 | Red Button Index, Press-in                                   |



**Product Specifications:**

4" Wall Mount Workboard Faucet, Quarter-Turn Eterna Cartridges w/ Spring Checks, Lever Handles, 5 3/4" Swivel Gooseneck, 2.2 GPM Aerator & 1/2" NPT Male Inlets

**Product Compliance:**

ASME A112.18.1 / CSA B125.1  
NSF 61 - Section 9  
NSF 372 (Low Lead Content)  
ANSI A117.1 (ADA)