



Limited One Year Warranty

T&S warrants to the original purchaser (other than for purposes of resale) that such product is free from defects in material and workmanship for a period of one (1) year from the date of purchase. During this one-year warranty period, if the product is found to be defective, T&S shall, at its options, repair and/or replace it. To obtain warranty service, products must be returned to...

T&S Brass and Bronze Works, Inc.
Attn: Warranty Repair Department
2 Saddleback Cove
Travelers Rest, SC 29690

Shipping, freight, insurance, and other transportation charges of the product to T&S and the return of repaired or replaced product to the purchaser are the responsibility of the purchaser. Repair and/or replacement shall be made within a reasonable time after receipt by T&S of the returned product. This warranty does not cover items which have received secondary finishing or have been altered or modified after purchase, or for defects caused by physical abuse to or misuse of the product, or shipment of the products.

Any express warranty not provided herein, and any remedy for Breach of Contract which might arise, is hereby excluded and disclaimed. Any implied warranties of merchantability or fitness for a particular purpose are limited to one year in duration. Under no circumstances shall T&S be liable for loss of use or any special consequential costs, expenses or damages.

Some states do not allow limitations on how long an implied warranty lasts or the exclusion or limitation of incidental or consequential damages, so the above limitations or exclusions may not apply to you. Specific rights under this warranty and other rights vary from state to state.

P/N: 098-002261-45 Rev 3
Date: 09-12-01
Drawn: TEH
Checked: DLT 11-27-01
Approved: MVW 12-11-01

Installation and Maintenance Instructions



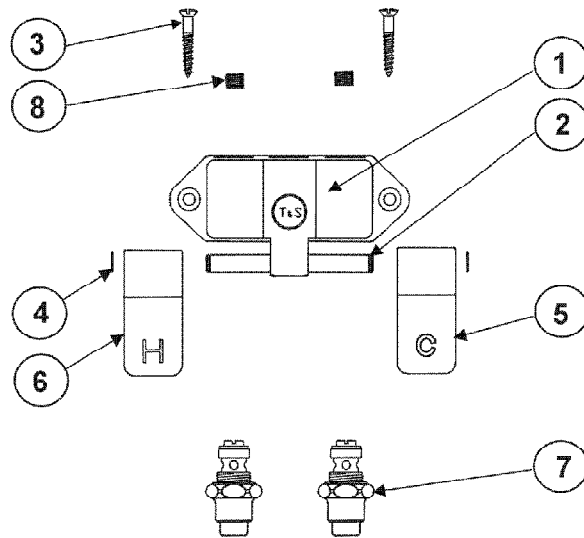
FLOOR MOUNTED DOUBLE PEDAL VALVE B-0502

Deutsch: Installations- und
Wartungsanleitungen

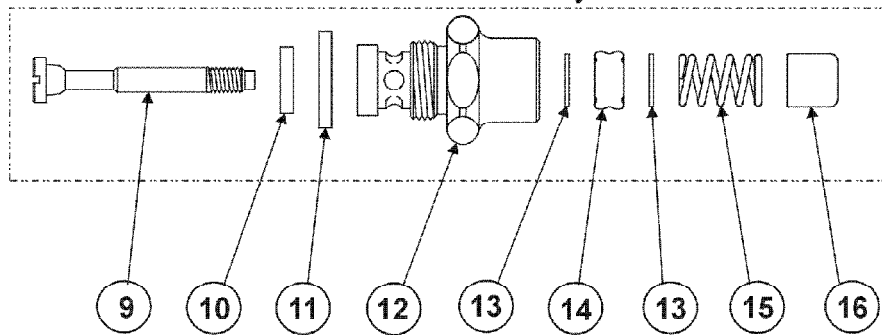
Español: la Instalación y las
Instrucciones de
Mantenimiento

Français: les Instructions
d'Installation et
d'Entretien

Exploded View



Bonnet Assembly



* Some items are listed for instructional purposes and may not be sold as separate parts.

Part Number Guide

Body & Shaft Assembly

1	Body, Double Pedal	*
2	Shaft	*
3	Screw, Mounting	000915-45
4	Snap-ring	012512-45
5	Pedal, Foot (Cold)	000091-25
6	Pedal, Foot (Hot)	000092-25
7	Asm, Bonnet	005312-40
8	Socket Plug	*

Bonnet Assembly - 005312-40

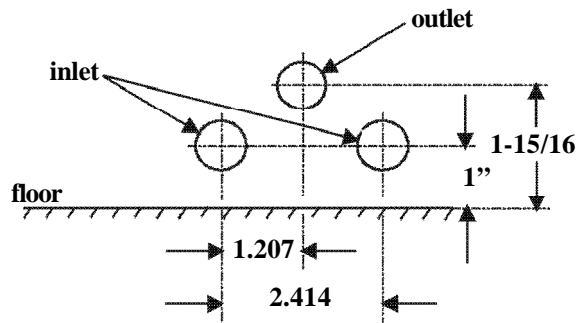
9	Stem, Valve	009306-20
10	Seat Washer	012915-45
11	Washer, Bonnet Binding	*
12	Bonnet	000608-25
13	Washer	000974-45
14	Packing Stem	001100-45
15	Spring	003690-45
16	Pushbutton	000753-25

Note: Items 9-11 and 13-15 are included in the B-50-P parts kit
Each item with a quantity of 4

General Instructions

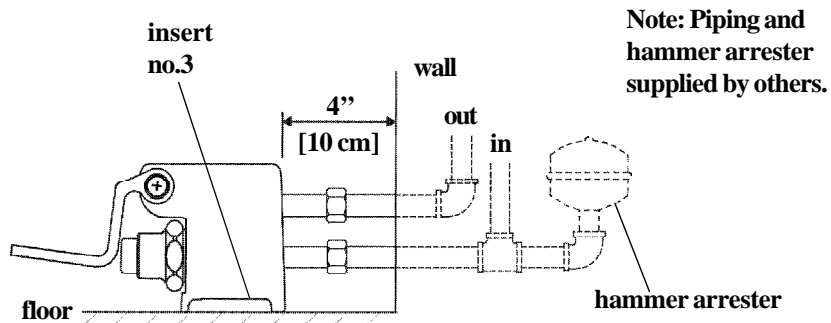
Installation:

1. Shut off water supply and drain lines.
2. Drill (two) holes for ½" NPT (National Pipe Threads) inlets and (one) ½" NPT outlets for connections coming from wall. (See drilling dimensions for hole.)



3. Mount assembly to floor with two no.3's, allowing 4" [10 cm] or more from back of unit to wall. Install two (2) inlets (hot and cold sides) and one (1) outlet.
4. Apply teflon tape or pipe joint compound to threads of supply lines. Connect supply lines with ½" NPT piping.
5. Turn on water and check for leaks.

Note: It is strongly recommended that each supply line be equipped with a hammer arrester installed per manufacturer's instructions. A typical installation is shown:

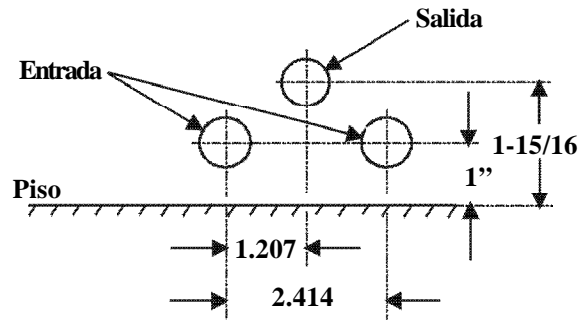


**Note: To order replacement parts, order the B-50-P parts kit.
(For repair of no.7)**

Instrucciones Generales

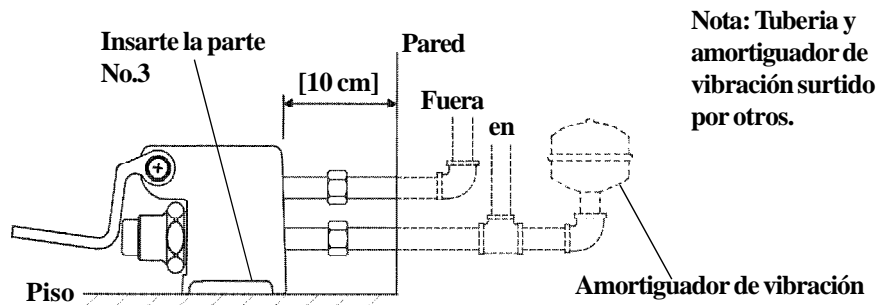
Instalación:

1. Cierre la fuente de agua y desagüe las tuberías.
2. Perfore 2 (dos) huecos para entradas con rosca de tamaño 1/2" NPT (Rosca Nacional De Tubo) y 1 (uno) 1/2" NPT de salida para conexiones que vienen de la pared. (Vea dimensiones para taladrar el hueco.)



3. Con dos partes No.3 monte el ensamblaje al piso, permitiendo 4" [10 cm] ó más de la parte de atrás de la unidad a la pared. Instale 2 (dos) entrada (lados caliente y frío) y 1 (una) salida.
4. Aplique cinta de Teflon ó compuesto de coyuntura para tubería a las roscas de las líneas de surtido. Conecte las líneas de surtido con tubería tamaño 1/2" NPT.
5. Abra el agua e inspeccione por filtraciones.

Nota: Es altamente recomendado que cada línea de surtido sea equipada con amortiguador de vibración. Una instalación típica esta demostrada:



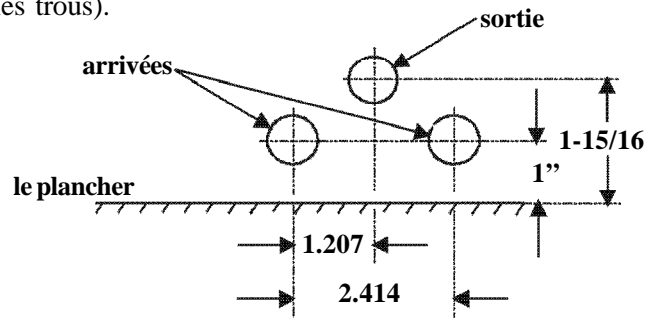
Nota: Tubería y amortiguador de vibración surtido por otros.

Nota: Para pedir repuestos, pida el estuche de partes B-50-P. (Para reparo de la parte No.7).

Instructions Générales

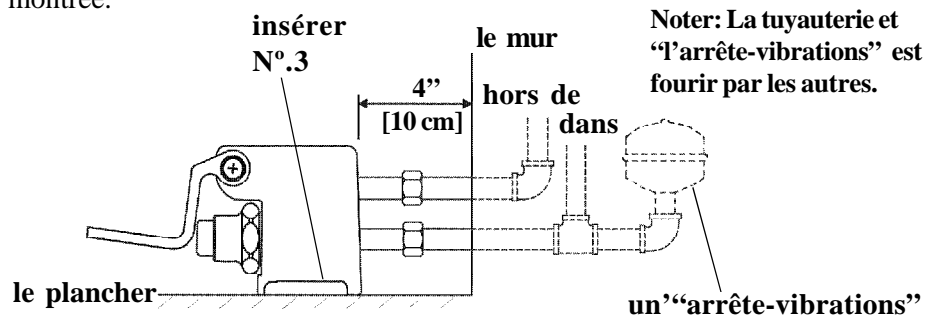
L'Installation:

1. Fermer la réserve de l'eau et égoutter la tuyauterie.
2. Percer (deux) trous pour les arrivées 1/2" NPT (en Anglais -National Pipe Thread- la traduction littérale en Français: le filet de tuyau national) et (une) sortie 1/2" NPT pour les connexions du mur. (Voir les dimensions pour percer les trous).



3. Monter l'assemblage au plancher avec deux N°.3 en permettant 10cm. ou plus de l'arrière de l'élément au mur. Installer (2) arrivées (les côtés froids et chauds) et (1) sortie.
4. Appliquer le ruban en Téflon ou le composé pour les tuyaux aux filets des tuyaux qui fournir l'eau. Brancher les tuyaux qui fournir l'eau avec la tuyauterie de 1/2" NPT.
5. Recommencer l'eau et vérifier s'il y a des fuites.

Noter: On lui recommande vivement que chaque canalisation d'alimentation devrait être équipée d'un "arrête-vibrations". Une installation typique est montrée.

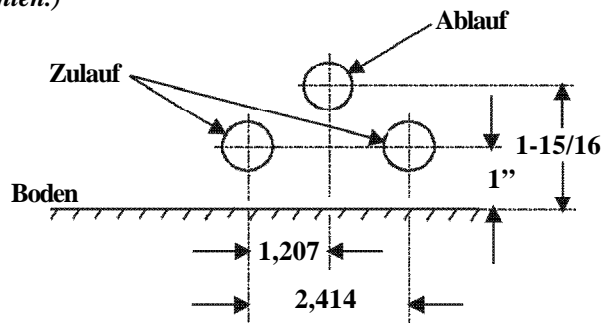


Noter: Pour commander les parties replacements, commander; la trousse des parties B-50-P (Pour réparer N°.7).

Allgemeine Anleitungen

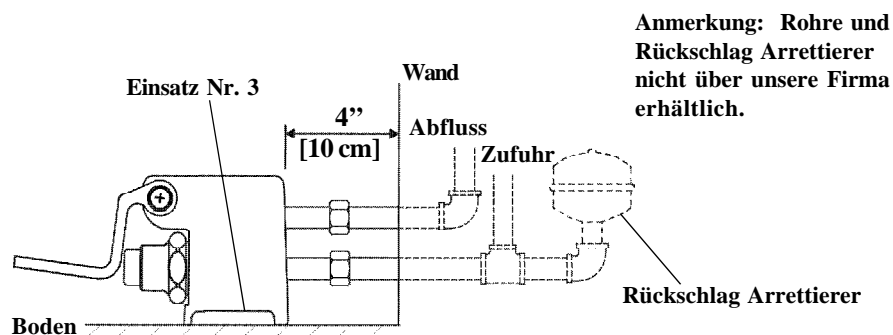
Installation:

1. Wasserzulauf schließen und die Leitungen leeren.
2. Löcher für zwei Zuflußleitungen mit 1/2" NPT - (*nationales Rohrgewinde*) und eine Abflußleitung mit 1/2" NPT zum Anschluß an die Wand bohren. (*Bohrmaße für Löcher beachten.*)



3. Garnitur am Boden mit zwei Nr. 3 montieren, wobei zwischen der Einheit und der Wand ein Abstand von mindestens 10 cm eingehalten werden muß. Zwei Zuflußleitungen (für Kalt- und Warmwasser) und eine Abflußleitung installieren.
4. Für die Gewinde der Zulaufleitungen Teflonband oder Rohrdichtungsmasse verwenden. Zulaufleitungen mit den 1/2" NPT Rohrleitungen verbinden.
5. Wasserzulauf andrehen und auf Dichtigkeit prüfen.

Achtung: Es empfiehlt sich in jeder Wasserleitung einen Rückschlag Arretierer einzubauen. Typisch erfolgt der Einbau wie abgebildet:



Anmerkung: Rohre und Rückschlag Arretierer nicht über unsere Firma erhältlich.

Anmerkung: Bei Bestellung von Ersatzteilen, bitte den Teilesatz B-50-P bestellen (zur Reparatur von Nr. 7).

RELATED T&S BRASS PRODUCT LINE



**B-0504
DOUBLE PEDAL VALVE,
WALL MOUNTED**

T&S BRASS AND BRONZE WORKS, INC.

A firm commitment to application-engineered plumbing products

2 Saddleback Cove, P.O. Box 1088,
Travelers Rest, SC 29690

Phone: (864) 834-4102

Fax: (864) 834-3518

E-mail: tsbrass@tsbrass.com

T & S Brass-Europe
'De Veenhoeve'
Oude Nieuwveenseweg 84
2441 CW Nieuwveen
The Netherlands



RELIABILITY BUILT IN™

