



Foot And Knee Peddle Valves

B-0475

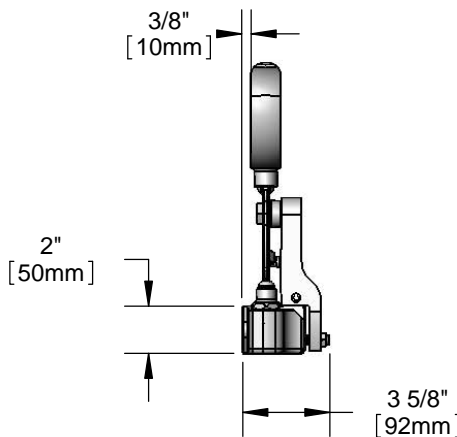
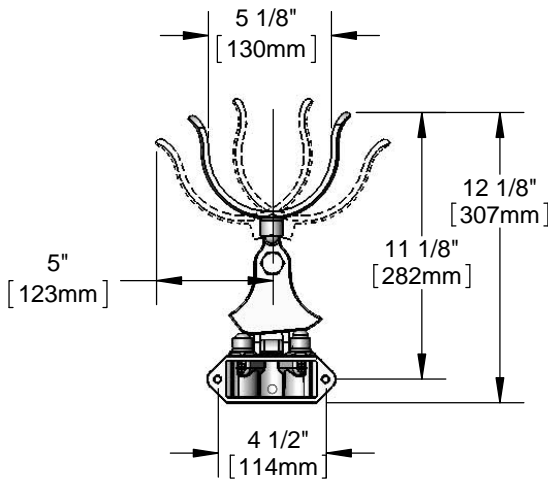
TAG:

Knee Action Valve

Architect/Engineering Specifications:

Knee action valve with polished chrome plated brass body, 1/2" NPT outlet, self-closing cartridges, polished chrome plated stirrup, 1/2" NPT hot and cold inlets. Certified to ASME A112.18.1/CSA B125.1, NSF 61-Section 9 and NSF 372

Job Name	_____
Model Specified	_____ Quantity _____
Variations Specified	_____
Date	_____



Features & Benefits:

- Knee action valve with polished chrome plated brass body (will remain in set position for hot, cold or mixed water)
- 1/2" NPT outlet
- Self-closing cartridges
- Polished chrome plated stirrup
- 1/2" NPT hot and cold inlets
- Material: Polished chrome plated brass body & stirrup

Product Compliance:

- ASME A112.18.1 / CSA B125.1
- NSF 61 - Section 9
- NSF 372 (Low Lead Content)



Warranty: One Year (Limited)



Performance Data:

- Pressure: 20 - 125 psi
- Temperature: 40 °F - 140 °F
- Flow Rate: 4.26 GPM @ 60 psi



T&S BRASS AND BRONZE WORKS, INC.



• 2 Saddleback Cove • Travelers Rest, SC 29690
 Ph 800-476-4103 • Fax 864-834-3518
 • Simi Valley, CA • Ph 800-423-0150 • www.tsbrass.com

Date: 02/03/15