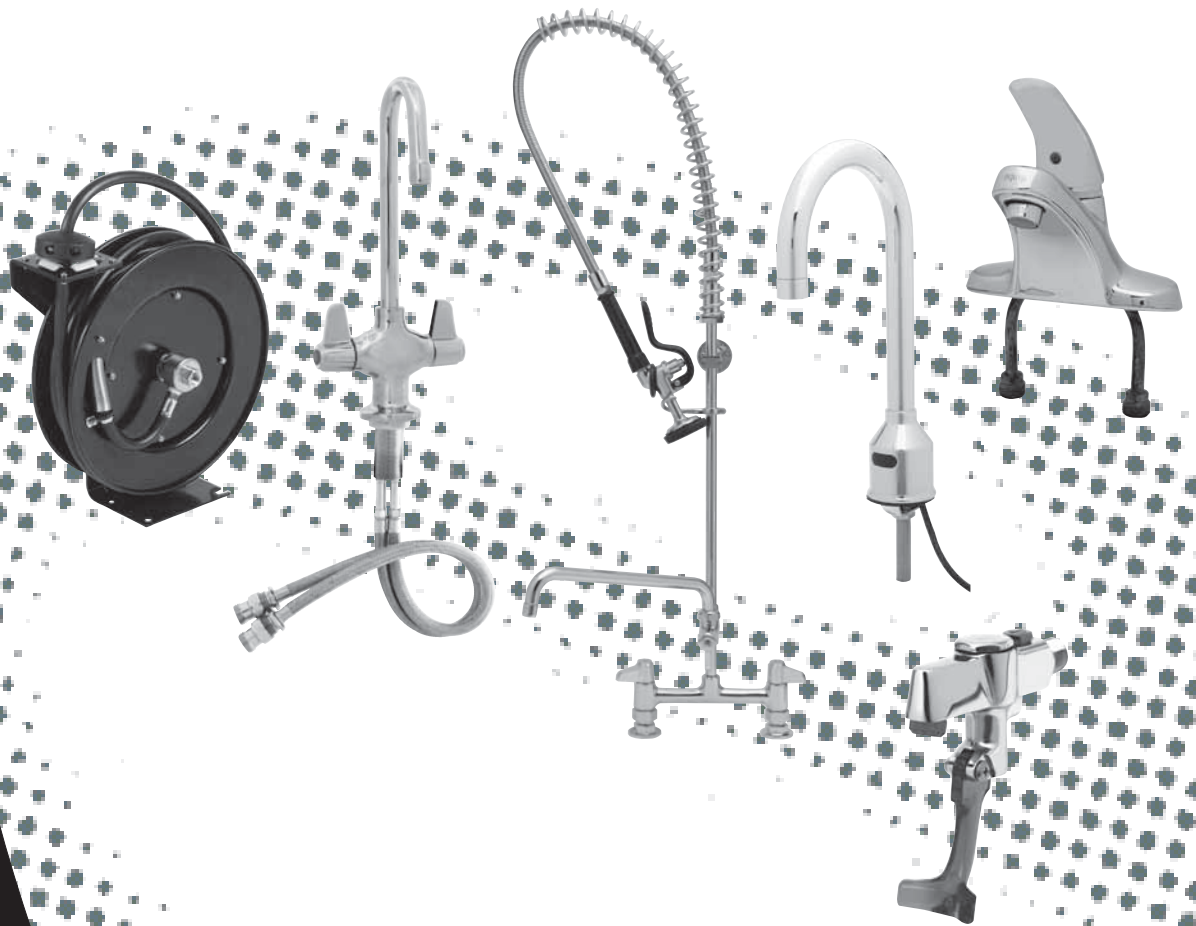


equip

by 

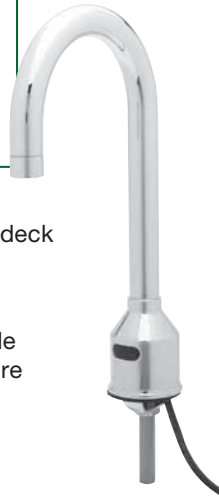
PLUMBING PRODUCTS



**NEW
MODELS!**

**5EF-1D-DG
Electronic Faucet**

- Single hole sensor faucet
- Deck mount, rigid gooseneck
- AC-DC control module
- Temperature control mixing valve



5EF-1D-DG

5EF-1D-DG-4DP

- Same as 5EF-1D-DG except with 4" deck plate

5EF-1D-DGSM

- Same as 5EF-1D-DG except with side mount mixing faucet with temperature and on-off control

5EF-1D-DG-TMV

- Same as 5EF-1D-DG except with thermostatic temperature control mixing valve with integral check valves

5EF-1D-DG-VF05

- Same as 5EF-1D-DG except with 0.5 GPM vandal-resistant outlet device

**5EF-1D-WG
Electronic Faucet**

- Wall mount sensor faucet
- Rigid gooseneck
- AC-DC control module
- Temperature control mixing valve



5EF-1D-WG

5EF-1D-WG-TMV

- Same as 5EF-1D-WG except with thermostatic temperature control mixing valve with integral check valves

5EF-1D-WG-VF05

- Same as 5EF-1D-WG except with 0.5 GPM vandal-resistant outlet device

5EF-1D-WGMM-HG

- Same as 5EF-1D-WG except with hydro-generator accessory

Electronic Faucets Replacement Parts

- 5EF-0001 Control module
- 5EF-0002 AC transformer
- 5EF-0003 Flat lens sensor wire assembly
- 5EF-0004 Convex lens and sensor wire assembly
- 5EF-0005 Flexible supply hose for 3/8" compression stops
- 5EF-0006 Electronic faucet mixing valve
- 5EF-FILTER Electronic faucet control module filter
- 5EF-TMV Thermostatic mixing valve with 1/2" NPSM male fittings

**5EF-1D-DS
Electronic Faucet**

- Single hole sensor faucet
- Deck mount, cast spout
- AC-DC control module
- Temperature control mixing valve



5EF-1D-DS

5EF-1D-DS-4DP

- Same as 5EF-1D-DS except with 4" deck plate

5EF-1D-DS-TMV

- Same as 5EF-1D-DS except with thermostatic temperature control mixing valve with integral check valves

5EF-1D-DS-VF05

- Same as 5EF-1D-DS except with 0.5 GPM vandal-resistant outlet device



**5EF-2D-DS
Electronic Faucet**

- 4" centerset sensor faucet
- Deck mount, cast spout
- AC-DC control module
- Temperature control mixing valve



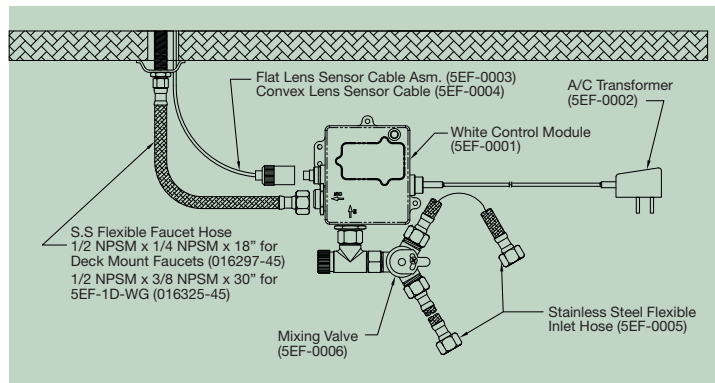
5EF-2D-DS

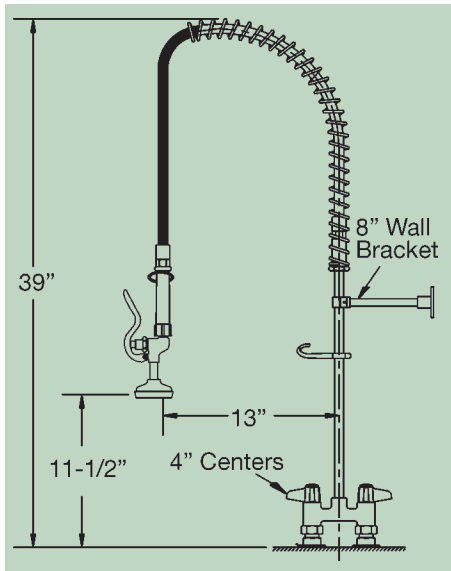
5EF-2D-DS-TMV

- Same as 5EF-2D-DS except with thermostatic temperature control mixing valve with integral check valves

5EF-2D-DS-VF05

- Same as 5EF-2D-DS except with 0.5 GPM vandal-resistant outlet device





5PR-4D00

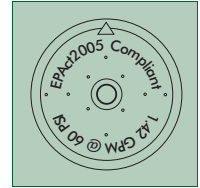
4" Deck Mounted Pre-Rinse Unit

- Faucet with 4" centers
- Built-in check valves
- Inlet kit (014046-40) sold separately
- Includes 6" wall bracket
- 1.42 GPM at 60 PSI
- Available with add-on faucet:

Model No.:	5PR-4D18	18" Add-On Faucet
	5PR-4D14	14" Add-On Faucet
	5PR-4D12	12" Add-On Faucet
	5PR-4D10	10" Add-On Faucet
	5PR-4D08	8" Add-On Faucet
	5PR-4D06	6" Add-On Faucet

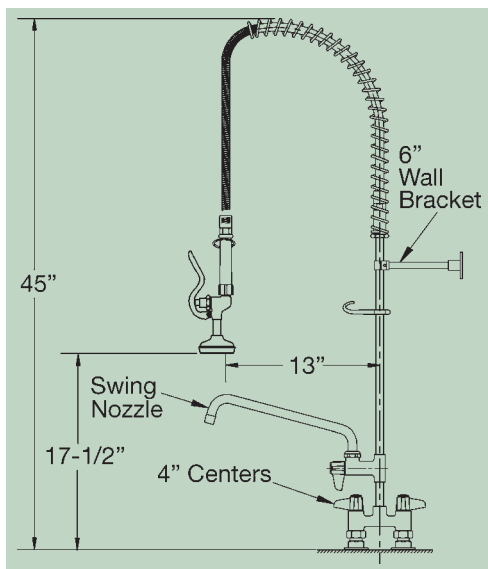


5PR-4D00



EPA Act 2005
Compliant equip
Sprayface

Certified to NSF/ANSI 61/9

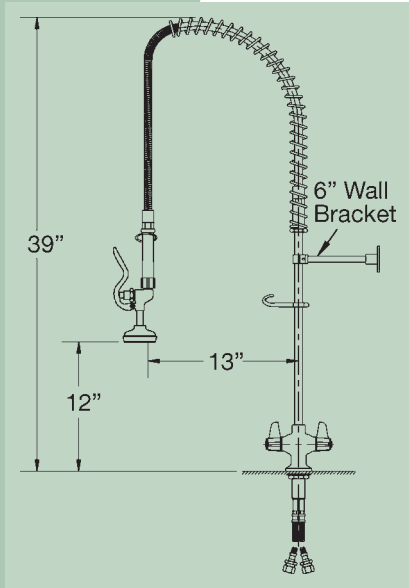


- Available with 12" wall bracket
- Available with low-flow spray valve (5SV-C)



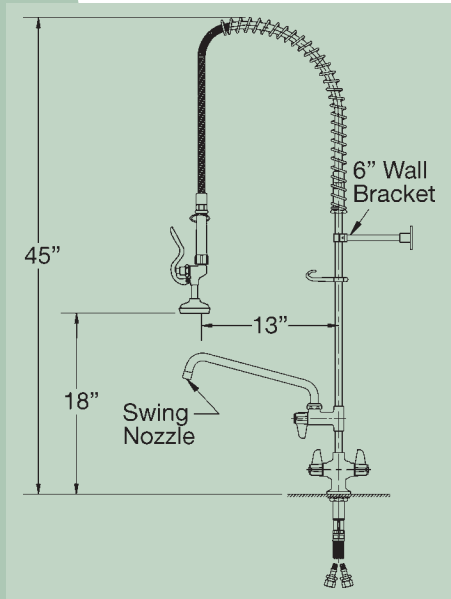
5PR-4D12

Pre-Rinse Units



5PR-2S00 Single Hole Deck Mounted Pre-Rinse Unit

- Single hole faucet
- Supplied with 1/2" in-line check valves
- 18" flexible inlets with 1/2" couplings
- Includes 6" wall bracket
- 1.42 GPM at 60 PSI
- Available with add-on faucet:
 Model No.: 5PR-2S18 18" Add-On Faucet
 5PR-2S14 14" Add-On Faucet
 5PR-2S12 12" Add-On Faucet
 5PR-2S10 10" Add-On Faucet
 5PR-2S08 8" Add-On Faucet
 5PR-2S06 6" Add-On Faucet



5PR-2S00



**EPA Act 2005
Compliant equip
Sprayface**

Certified to NSF/ANSI 61/9



5PR-2S00-12WB Pre-Rinse Unit

- Same as 5PR-2S00 except with 12" wall bracket

5PR-2S00-C Pre-Rinse Unit

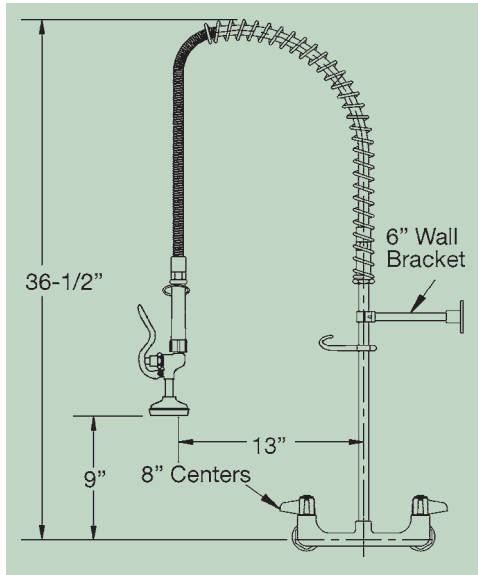
- Same as 5PR-2S00 except with low-flow spray valve (5SV-C)

5PR-2S12-C Pre-Rinse Unit

- Same as 5PR-2S12 except with low-flow spray valve (5SV-C)



5PR-2S12



5PR-8W00

8" Wall Mounted Pre-Rinse Unit

- Faucet with 8" centers
- Built-in check valves
- Inlet kit (014061-40) sold separately
- Includes 6" wall bracket
- 1.42 GPM at 60 PSI
- Available with add-on faucet:

Model No.:	5PR-8W18	18" Add-On Faucet
	5PR-8W14	14" Add-On Faucet
	5PR-8W12	12" Add-On Faucet
	5PR-8W10	10" Add-On Faucet
	5PR-8W08	8" Add-On Faucet
	5PR-8W06	6" Add-On Faucet



5PR-8W00

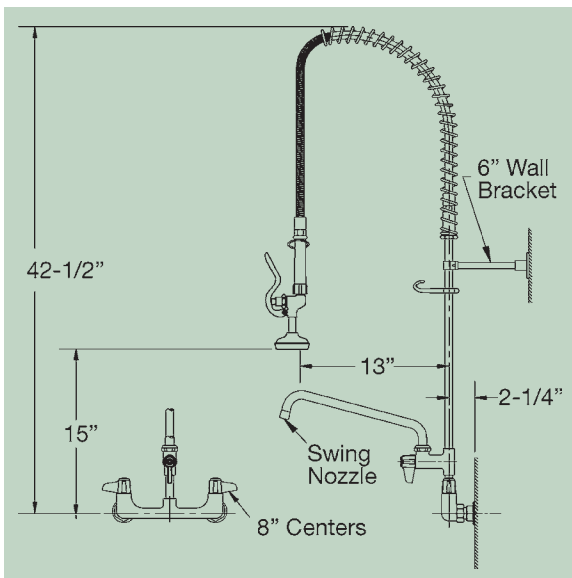


**EPA Act 2005
Compliant equip
Sprayface**

Certified to NSF/ANSI 61/9



**EPA Act 2005
Compliant**



5PR-8W00-C Pre-Rinse Unit

- Same as 5PR-8W00 except with low-flow spray valve (5SV-C)

5PR-8W12-C Pre-Rinse Unit

- Same as 5PR-8W12 except with low-flow spray valve (5SV-C)

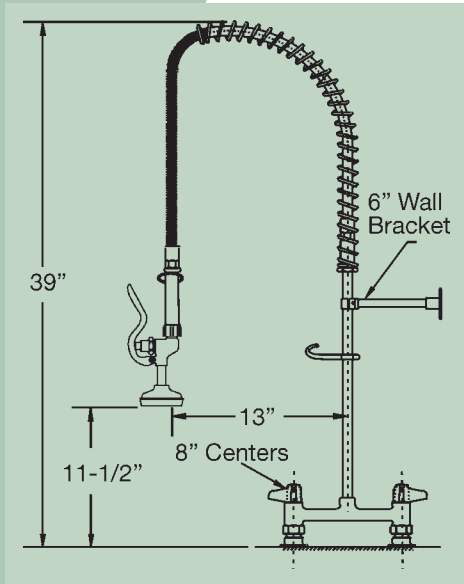
5PR-8W14-TWV Pre-Rinse Unit

- Same as 5PR-8W14 except with three (3) B-3950 twist waste valves



5PR-8W12

Pre-Rinse Units

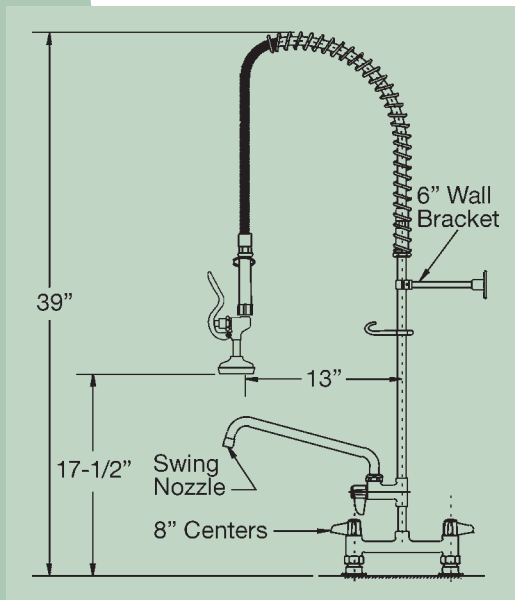


5PR-8D00

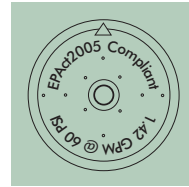
8" Deck Mounted Pre-Rinse Unit

- Faucet with 8" centers
- Built-in check valves
- Inlet kit (014046-40) sold separately
- Includes 6" wall bracket
- 1.42 GPM at 60 PSI
- Available with add-on faucet:

Model No.:	5PR-8D18	18" Add-On Faucet
	5PR-8D14	14" Add-On Faucet
	5PR-8D12	12" Add-On Faucet
	5PR-8D10	10" Add-On Faucet
	5PR-8D08	8" Add-On Faucet
	5PR-8D06	6" Add-On Faucet



5PR-8D00



EPA Act 2005
Compliant equip
Sprayface

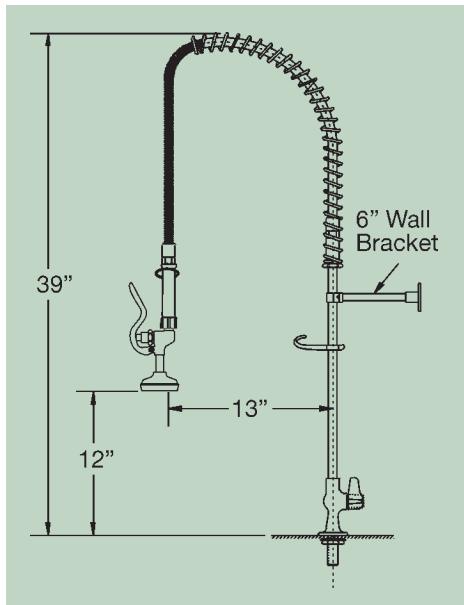
Certified to NSF/ANSI 61/9



- Available with 12" wall bracket
- Available with low-flow spray valve (5SV-C)



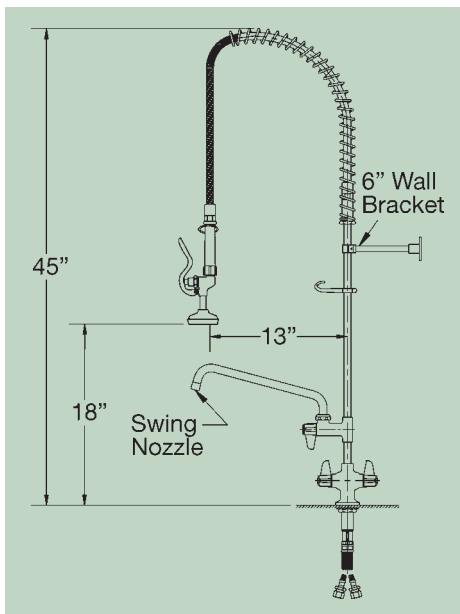
5PR-8D12



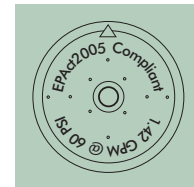
5PR-1S00
Single Supply Deck Mounted Pre-Rinse Unit

- Single supply faucet
- Includes 6" wall bracket
- 1.42 GPM at 60 PSI
- Available with add-on faucet:

Model No.:	5PR-1S18	18" Add-On Faucet
	5PR-1S14	14" Add-On Faucet
	5PR-1S12	12" Add-On Faucet
	5PR-1S10	10" Add-On Faucet
	5PR-1S08	8" Add-On Faucet
	5PR-1S06	6" Add-On Faucet



5PR-1S00



**EPA Act 2005
Compliant equip
Sprayface**

Certified to NSF/ANSI 61/9



- Available with 12" wall bracket
- Available with low-flow spray valve (5SV-C)

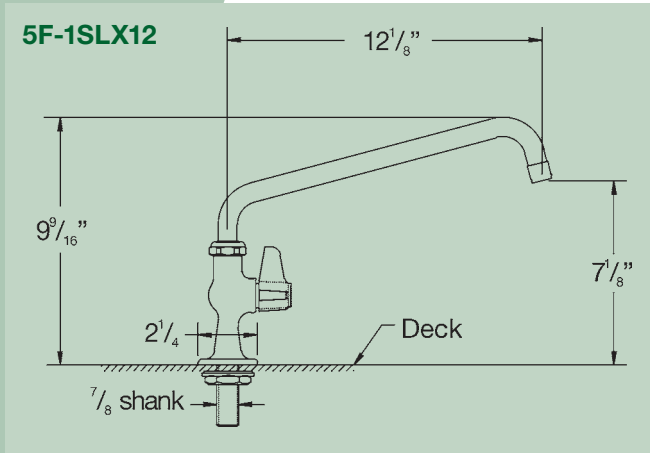
5PR-1S00-60
Single Supply Deck Mounted Pre-Rinse Unit

- Same as 5PR-1S00 except with 60" stainless steel hose



5PR-1S12

Faucets



5F-1SLX12

Single Supply Deck Mounted Faucet

- Single supply deck mounted faucet with 12" swivel nozzle
- Also available with other length swivel nozzles:
 Model No.: 5F-1SLX18 18" swivel nozzle
 5F-1SLX14 14" swivel nozzle
 5F-1SLX10 10" swivel nozzle
 5F-1SLX08 8" swivel nozzle
 5F-1SLX06 6" swivel nozzle
 5F-1SLX00 Less swivel nozzle

5F-1SLX05

Single Supply Deck Mounted Faucet with 5 1/2" Swivel Gooseneck

- Same as 5F-1SLX12 except with 5 1/2" swivel gooseneck
- 14-5/8" height; 9-3/16" clearance from aerator to deck



5F-1SLX03

Single Supply Deck Mounted Faucet with 3" Rigid Gooseneck

- Same as 5F-1SLX12 except with 3" rigid gooseneck
- 12-11/16" height; 8-15/16" clearance from aerator to deck

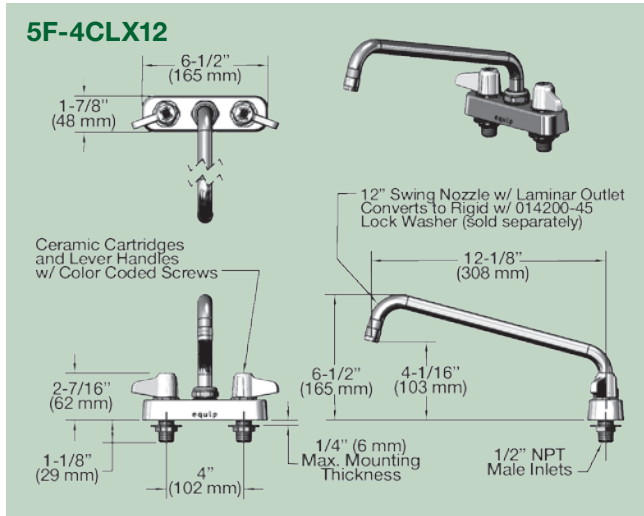


5F-1SLX00

Single Supply Deck Mounted Faucet

- Single supply deck mounted faucet only, less nozzle

Certified to NSF/ANSI 61/9



5F-4CLX12

5F-4CLX12

4" Deck Mount Workboard Faucet

- Deck mounted faucet with 12" swing nozzle with laminar outlet
- Ceramic cartridges
- Converts to rigid with (#014200-45) lock washer (sold separately)
- Also available with other length swing nozzles:
 Model No.: 5F-4CLX10 10" swing nozzle
 5F-4CLX08 8" swing nozzle
 5F-4CLX06 6" swing nozzle
 5F-4CLX00 Less swing nozzle

5F-4CLX05

4" Deck Mount Workboard Faucet with 5 1/2" Swivel Gooseneck

- Same as 5F-4CLX12 except with 5 1/2" swivel gooseneck with laminar outlet
- 11-7/8" height; 6-5/8" clearance from aerator to deck

5F-4CLX03A

4" Deck Mount Workboard Faucet with 3" Swivel Gooseneck

- Same as 5F-4CLX12 except with 3" swivel gooseneck with 2.2 GPM aerator
- 10" height; 6-3/16" clearance from aerator to deck

5F-4CLX00

4" Deck Mounted Faucet

- Deck mounted faucet only, less nozzle



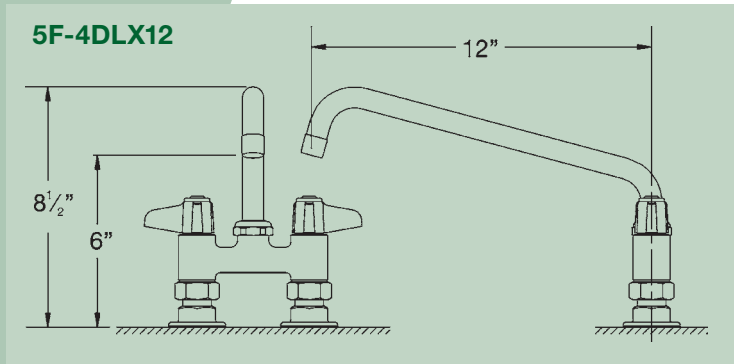
5F-4CLX05

NOTE:

Faucets on this page with lever handles ("L") are also available with 4" wrist-action handles ("W"). Order ex.: 5F-4CWX03A

See page H13 for a complete list of these wrist-action handle models.

Certified to NSF/ANSI 61/9



5F-4DLX12 4" Deck Mounted Faucet

- Deck mounted faucet with 12" swivel spout
- Inlet kit (014046-40) sold separately
- Also available with other length swivel spouts:
 Model No.: 5F-4DLX18 18" swivel spout
 5F-4DLX16 16" swivel spout
 5F-4DLX14 14" swivel spout
 5F-4DLX10 10" swivel spout
 5F-4DLX08 8" swivel spout
 5F-4DLX06 6" swivel spout
 5F-4DLX00 Less swivel spout

5F-4DLX05 4" Deck Mounted Faucet with 5 1/2" Swivel Gooseneck

- Same as 5F-4DLX12 except with 5 1/2" swivel gooseneck
- 14" height; 8 1/2" clearance from aerator to deck

5F-4DLS05 4" Deck Mounted Faucet with 5 1/2" Swivel Gooseneck

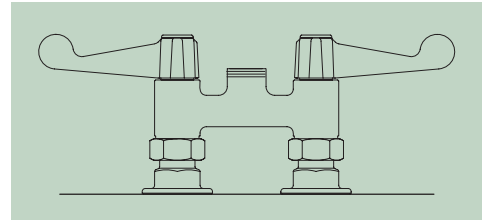
- Same as 5F-4DLX05 except with 1/2" NPT supply nipple kit

5F-4DLX03 4" Deck Mounted Faucet with 3" Rigid Gooseneck

- Same as 5F-4DLX12 except with 3" rigid gooseneck
- 12" height; 8" clearance from aerator to deck

5F-4DLX00 4" Deck Mounted Faucet

- Deck mounted faucet only, less nozzle



5F-4DWX00 4" Deck Mounted Faucet with Wrist Action Handles



5F-4DLX12



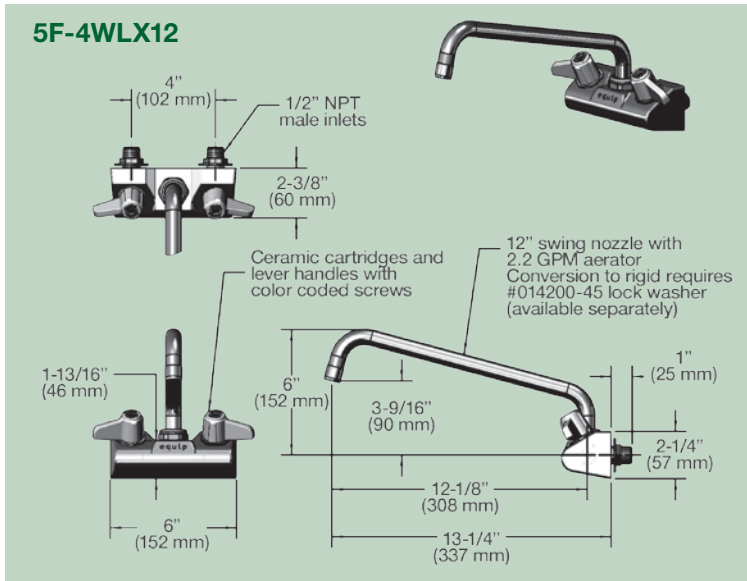
5F-4DLX05



5F-4DLX03

Certified to NSF/ANSI 61/9

NOTE:
Faucets on this page with lever handles ("L") are also available with 4" wrist-action handles ("W"). Order ex.: 5F-4DWX03



5F-4WLX03

5F-4WLX12

4" Wall Mounted Faucet (above)

- Faucet with 4" centers
- Quarter-turn ceramic cartridges
- 2.2 GPM aerator
- Lever handles with color coded screws
- 12" swivel nozzle
- Also available with other length swivel nozzles:
 Model No.: 5F-4WLX10 10" swivel nozzle
 5F-4WLX08 8" swivel nozzle
 5F-4WLX06 6" swivel nozzle
 5F-4WLX00 Less swivel nozzle

5F-4WLX05

4" Wall Mounted Faucet (right)

- Same as 5F-4WLX12 except with 5 1/2" swivel gooseneck

5F-4WLX03

4" Wall Mounted Faucet (photo)

- Same as 5F-4WLX12 except with 3" swivel gooseneck

5F-4WLX03-VF05

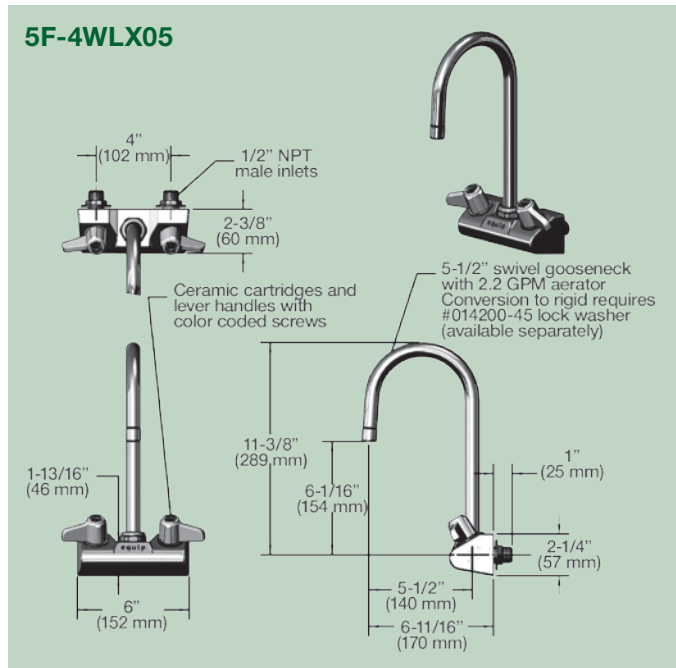
4" Wall Mounted Faucet

- Same as 5F-4WLX03 except with 0.5 GPM vandal-resistant non-aerated outlet device with 3/4-27UN female threads
- Includes vandal-resistant key

5F-4WWX00

4" Wall Mounted Faucet

- Same as 5F-4WLX00 except with wrist action handles, not lever (see box, right)

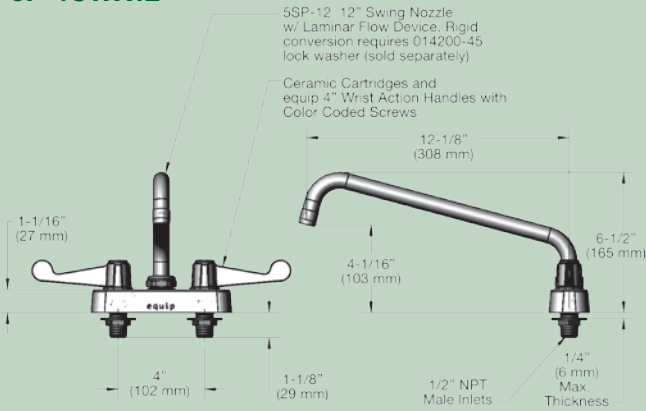


NOTE:
 Faucets on this page with lever handles ("L") are also available with 4" wrist-action handles ("W"). Order ex.: 5F-4WWX03

Certified to NSF/ANSI 61/9

Faucets

5F-4CWX12



5F-4CWX12

5F-4CWX12

4" Deck Mount Workboard Faucet

- Deck mounted faucet with 12" swing nozzle with laminar outlet and 4" wrist action handles
- Ceramic cartridges
- Converts to rigid with (#014200-45) lock washer (sold separately)
- Also available with other length swing nozzles:
 Model No.: 5F-4CWX10 10" swing nozzle
 5F-4CWX08 8" swing nozzle
 5F-4CWX06 6" swing nozzle
 5F-4CWX00 Less swing nozzle

5F-4CWX05A

4" Deck Mount Workboard Faucet with 5 1/2" Swivel Gooseneck

- Same as 5F-4CLX12 except with 5 1/2" swivel gooseneck and 2.2 GPM aerator

5F-4CWX05

4" Deck Mount Workboard Faucet with 5 1/2" Swivel Gooseneck

- Same as 5F-4CLX12 except with 5 1/2" swivel gooseneck with laminar outlet
- 11-7/8" height; 6-5/8" clearance from aerator to deck

5F-4CWX03A

4" Deck Mount Workboard Faucet with 3" Swivel Gooseneck

- Same as 5F-4CLX12 except with 3" swivel gooseneck with 2.2 GPM aerator
- 10" height; 6-3/16" clearance from aerator to deck

5F-4CWX00

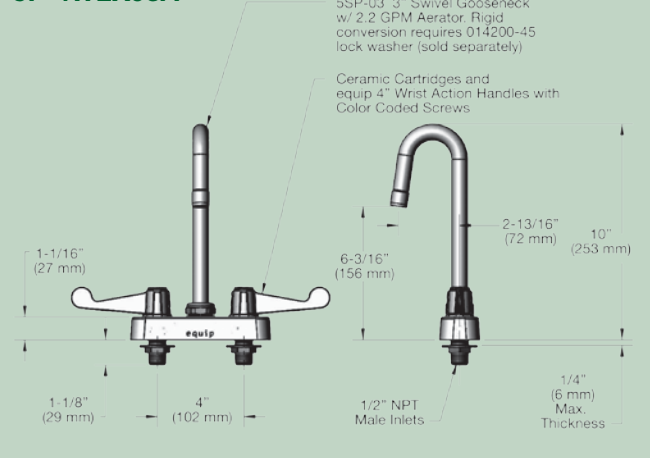
4" Deck Mounted Faucet

- Deck mounted faucet only, less nozzle

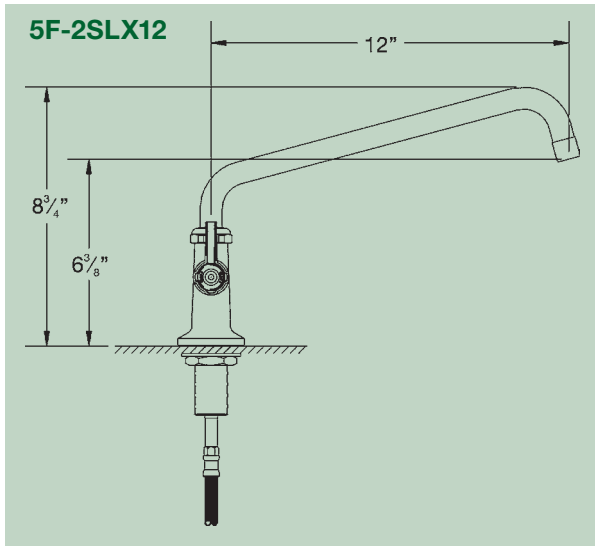


5F-4CWX03A

5F-4WLX03A



Certified to NSF/ANSI 61/9



5F-2SLX12

5F-2SLX12

Single Hole Deck Mounted Faucet

- Single hole faucet with 12" swivel nozzle
- 18" flexible inlets with 1/2" couplings
- Also available with other length swivel nozzles:

Model No.:	5F-2SLX18	18" swivel nozzle
	5F-2SLX14	14" swivel nozzle
	5F-2SLX10	10" swivel nozzle
	5F-2SLX08	8" swivel nozzle
	5F-2SLX06	6" swivel nozzle
	5F-2SLX00	Less swivel nozzle

5F-2SLX05

Single Hole Deck Mounted Faucet with 5 1/2" Swivel Gooseneck

- Same as 5F-2SLX12 except with 5 1/2" swivel gooseneck
- 14 1/8" height; 8 3/4" clearance from aerator to deck



5F-2SLX05

5F-2SLX03

Single Hole Deck Mounted Faucet with 3" Rigid Gooseneck

- Same as 5F-2SLX12 except with 3" rigid gooseneck
- 12 1/4" height; 8 1/2" clearance from aerator to deck



5F-2SLX03

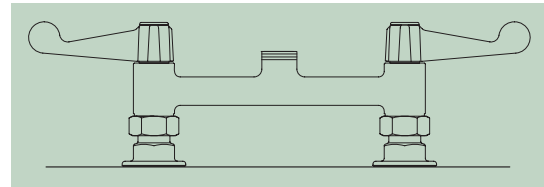
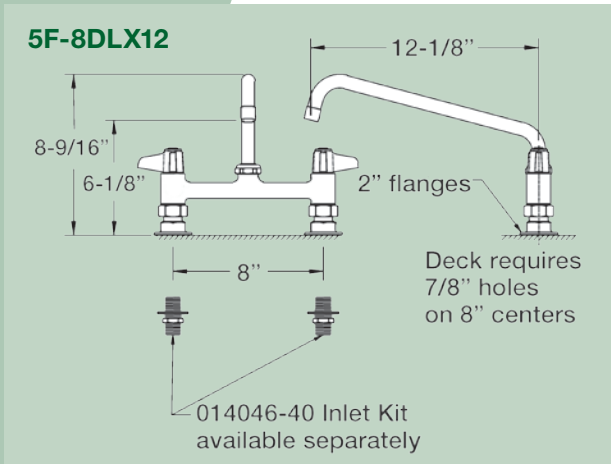
5F-2SLX00

Single Hole Deck Mounted Faucet

- Single hole deck mounted faucet only, less nozzle

Certified to NSF/ANSI 61/9

Faucets



5F-8DWX00
8" Deck Mounted Faucet with Wrist Action Handles

5F-8DLX12 8" Deck Mounted Faucet

- Deck mounted faucet with 12" swivel nozzle
- Inlet kit (014046-40) sold separately
- Also available with other length swivel nozzles:
 Model No.: 5F-8DLX18 18" swivel nozzle
 5F-8DLX14 14" swivel nozzle
 5F-8DLX10 10" swivel nozzle
 5F-8DLX08 8" swivel nozzle
 5F-8DLX06 6" swivel nozzle
 5F-8DLX00 Less swivel nozzle

5F-8DLX05 8" Deck Mounted Faucet with 5½" Swivel Gooseneck

- Same as 5F-8DLX12 except with 5½" swivel gooseneck
- 13-15/16" height; 8-7/16" clearance from aerator to deck

5F-8DLX03 8" Deck Mounted Faucet with 3" Rigid Gooseneck

- Same as 5F-8DLX12 except with 3" rigid gooseneck
- 11-7/8" height; 8-1/8" clearance from aerator to deck

5F-8DLX00 8" Deck Mounted Faucet

- Deck mounted faucet only, less nozzle

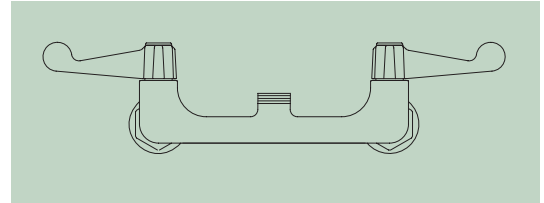
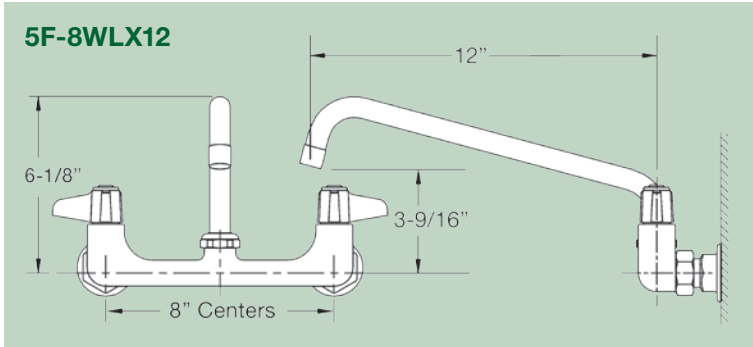
NOTE:

Faucets on this page with lever handles ("L") are also available with 4" wrist-action handles ("W"). Order ex.: 5F-4DWX03



Certified to NSF/ANSI 61/9





5F-8WWX00
8" Wall Mounted Faucet with
Wrist Action Handles

5F-8WXL12
8" Wall Mounted Faucet

- Wall mounted faucet with 12" swivel nozzle
- Inlet kit (014061-40) sold separately
- Also available with other length swivel nozzles:
 Model No.: 5F-8WXL18 18" swivel nozzle
 5F-8WXL16 16" swivel nozzle
 5F-8WXL14 14" swivel nozzle
 5F-8WLS12 12" swivel nozzle and inlet supply kit
 5F-8WXL10 10" swivel nozzle
 5F-8WXL08 8" swivel nozzle
 5F-8WXL06 6" swivel nozzle
 5F-8WXL00 Less swivel nozzle



5F-8WXL12

5F-8WXL05
8" Wall Mounted Faucet
with 5 1/2" Swivel Gooseneck

- Same as 5F-8WXL12 except with 5 1/2" swivel gooseneck
- 11 1/2" height



5F-8WXL05

5F-8WXL03
8" Wall Mounted Faucet
with 3" Rigid Gooseneck

- Same as 5F-8WXL12 except with 3" rigid gooseneck
- 9 1/2" height



5F-8WXL03

Certified to NSF/ANSI 61/9

5F-8WXL00
Wall Mounted Faucet

- Wall mounted faucet only, less nozzle

5F-8WXL00-EE
Wall Mounted Faucet (not shown)

- Wall mounted faucet only with 00EE wall flanges

NOTE:
 Faucets on this page with lever handles ("L") are also available with 4" wrist-action handles ("W"). Order ex.: 5F-8WWX03

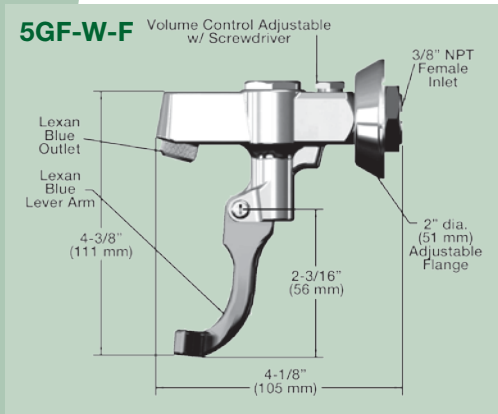
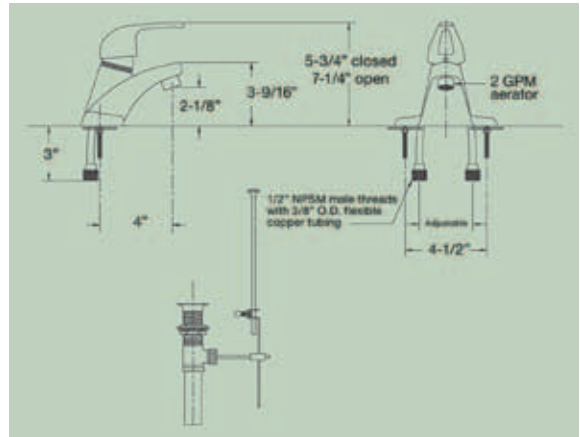
5SL-1000 and 5SL-1001 4" Centerset Single Lever Faucets

- 4" centers
- 1/2" NPSM inlets with 3/8" O.D. flexible copper tubing
- Built-in check valves
- Single lever cartridge replacement – #015232-45
- Available with or without pop-up assembly
- Also available with other length swivel nozzles

Model No.: **5SL-1000** without pop-up assembly
5SL-1001 with pop-up assembly



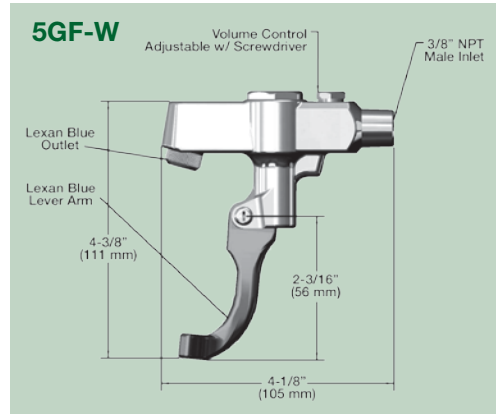
5SL-1000



5GF-W-F

Volume Control Adjustable w/ Screwdriver

Lexan Blue Outlet
Lexan Blue Lever Arm
4-3/8" (111 mm)
2-3/16" (56 mm)
4-1/8" (105 mm)
3/8" NPT Female Inlet
2" dia. (51 mm) Adjustable Flange



5GF-W

Volume Control Adjustable w/ Screwdriver

Lexan Blue Outlet
Lexan Blue Lever Arm
4-3/8" (111 mm)
2-3/16" (56 mm)
4-1/8" (105 mm)
3/8" NPT Male Inlet



5GF-W-F Wall Mount Glass Filler

- Push back arm design
- 3/8" NPT female inlet
- 2" diameter adjustable slip flange
- Blue self-closing lexan arm
- Blue lexan outlet
- Volume control adjustable with screwdriver

5GF-W Wall Mount Glass Filler

- Push back arm design
- 3/8" NPT male inlet
- Blue self-closing lexan arm
- Blue lexan outlet
- Volume control adjustable with screwdriver



5GF-W-F

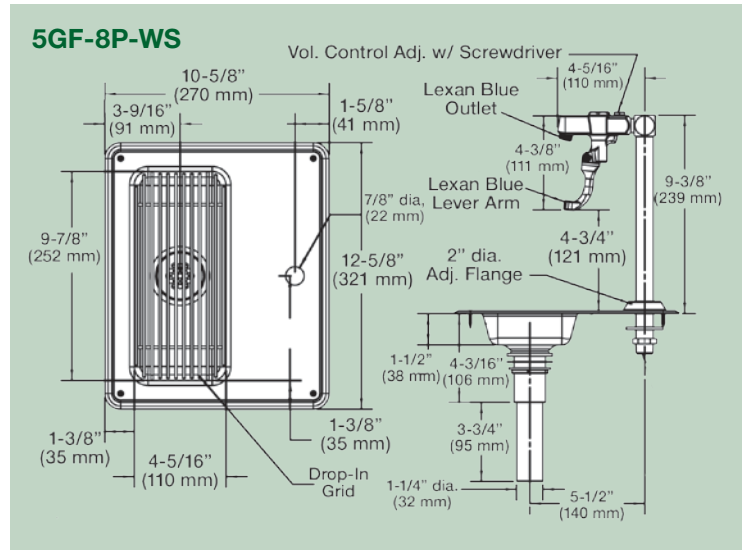
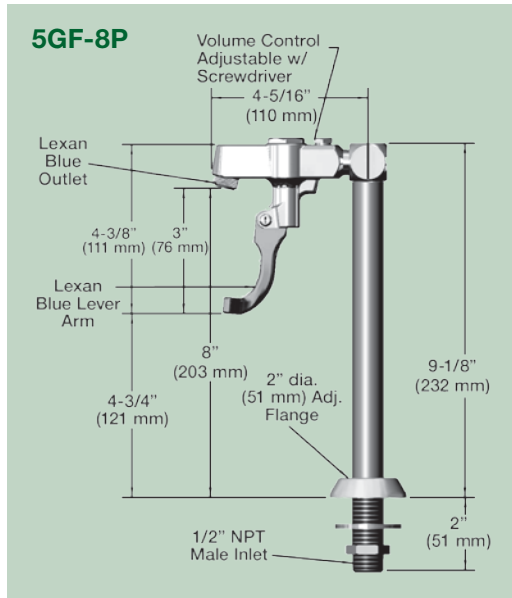


5GF-W

5GF-RK Glass Filler Repair Kit (not shown)

Replacement parts kit includes:

- (2) Springs
- (1) Handle screw
- (1) Handle nut
- (2) Seat washers
- (2) 'O'-rings
- (2) Bonnet washers
- (2) Stem packings
- (2) Outlet washers
- (1) Outlet tip
- (1) Lever arm
- (1) Silicon grease tube



5GF-8P
Pedestal Deck Mount Glass Filler

- Push back design
- 1/2" NPT male shank
- 2" diameter adjustable flange
- Blue self-closing lexan arm
- Blue lexan outlet
- Volume control adjustable with screwdriver

5GF-8P-WS
Glass Filler Water Station

- Pedestal glass filler with retro design
- 18 gauge stainless steel drip pan
- 1/4" tailpiece for copper tubing to fit 1/4" O.D. tubing
- Also available to fit 3/8" and 1/2" O.D. copper tubing
- 1/2" NPT male shank
- 2" diameter adjustable flange
- Blue self-closing lexan arm
- Blue lexan outlet
- Volume control adjustable with screwdriver
- Stainless steel screws for mounting included
- Suggested cut-out: 10-1/2" x 5"

NEW MODELS AVAILABLE SOON!

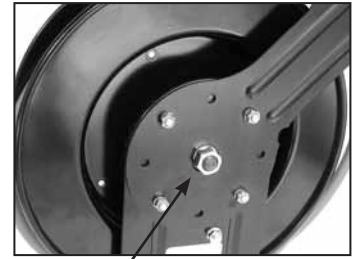
5GF-8P



5GF-8P-WS

5HR-232, 5HR-242 and 5HR-342 Open Hose Reels

FEATURES:



Guide Arm

- 4-position orientation
- Mounted independently
- Easily adjustable
- Thick steel structure
- Extra ribs for strength

Adjustable Hose Stop

Mainspring

- Proprietary spring alloy
- Exceeds 25K pull test
- Easy and safe service

Reel and Base

- Powder coated steel
- Thick steel structure
- Extra ribs for strength

Hose

- 3/8" I.D. EPDM tube
- Black SBR rubber
- 35' and 50' hose lengths
- 300 PSI max.
- 176°F maximum temperature
- Standard on -GH models:
3' connector hoses

Heavy-Duty Brass Swivel

- Outboard of reel
- Easy 'O'-Ring service
- 'O'-Ring: Buna-N nitrile and two nylon wearing rings

5SV-H

Hose Reel Spray Valve and Handle

- Not intended for use with pre-rinse units (handle not shown)
- Add "-01" to models to include spray valve
- 3/4-14 inlet
- Also available: **5SV-B** Bonnet assembly
5SV-H-RK Repair kit



5WG-1000-01

Water Gun

- 5WG-1000 – with quick-disconnect, and 1/2" and 3/8" adapters



Open Hose Reels

- ISO certified
- 3/8" and 1/2" NPT connections
- Optional spray valve models available
- Replacement parts

5HR-232, 5HR-242 and 5HR-342

Open Hose Reels

- Black epoxy coated steel
- 35' and 50' hose lengths
- 3/8" I.D. hose
- Hose is rated at 300 PSI with a maximum temperature of 176°F
- 3/8-18 NPT male outlet on hose
- 3/8-18 NPT female inlet in reel



**5HR-232,
5HR-242
and
5HR-342**

Hose Reel Model Options

5HR-232 Models:

- **5HR-232** Hose Reel with 35' hose length
- **5HR-232-01** Includes **5SV-H** Spray Valve
- **5HR-232-09** Includes **5WG-1000** Water Gun
- **5HR-232-GH** 3/8" x 35' hose with Garden Hose Connector
- **5HR-232-01-GH** 3/8" x 35' hose with **5SV-H** Spray Valve and Garden Hose Connector

5HR-242 Models:

- **5HR-242** Hose Reel with 50' hose length
- **5HR-242-01** Includes **5SV-H** Spray Valve
- **5HR-242-09** Includes **5WG-1000** Water Gun
- **5HR-242-GH** 3/8" x 50' hose with Garden Hose Connector
- **5HR-242-01-GH** 3/8" x 50' hose with **5SV-H** Spray Valve and Garden Hose Connector

5HR-342 Models:

- **5HR-342-01-GH** 1/2" x 50' Hose with **5SV-H** Spray Valve and Garden Hose Connector
- **5HR-342-09-GH** 1/2" x 50' Hose with **5WG-1000** Spray Valve and Garden Hose Connector
- **5HR-342-GH** 1/2" x 50' Hose with Garden Hose Connector

Hose Reel Assembly Replacement Parts

Description	35' Open Reel	50' Open Reel
Spring Assembly	5HR-SP-35	5HR-SP-50
Complete Swivel Asy.	5HR-2SA	5HR-2SA
Seal Kit	5HR-2SK	5HR-2SK
Hose Assembly	5HR-2HSE-35	5HR-2HSE-50

5HR-232 and 5HR-242 Hose Reel Models

5HR-232 Hose Reels

- Black powder coated steel
- 3/8" x 35' hose
- Stainless steel shaft and brass swivel with 3/8" NPT female inlet (left side of reel)
- Includes mounting bracket with holes and slots



5HR-232-01
5HR-242-01

Includes
5SV-WH
Spray Valve



5HR-232-09
5HR-242-09

Includes
5WG-1000-01
Water Gun with
Quick-Disconnect
and 3/8" and 1/2" Adapters

5HR-242 Hose Reels

- Black powder coated steel
- 3/8" x 50' hose
- Stainless steel shaft and brass swivel with 3/8" NPT female inlet (left side of reel)
- Includes mounting bracket with holes and slots

Certified to NSF/ANSI 61/9

Spray Outlet Options

5SV-WH Hose Reel Spray Valve

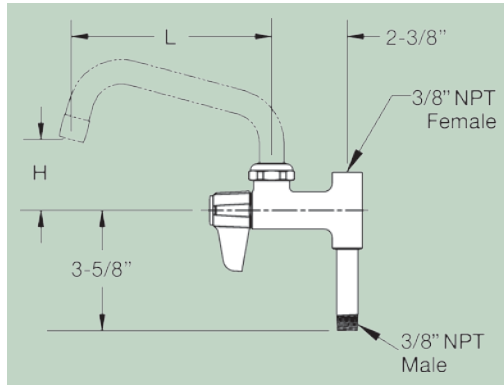


5SV-H High-Flow Spray Valve (4.0+ gpm)



5WG-1000-01 Front Trigger Water Gun with Quick-Disconnect and Adapters





5AFL12



5AFL00

Add-On Faucets with Swing Spouts in various lengths

- For pre-rinse units
- 3/8" NPT female outlet, 3/8" NPT male inlet
- Model No.:

5AFL18	18" Add-on faucet
5AFL14	14" Add-on faucet
5AFL12	12" Add-on faucet
5AFL10	10" Add-on faucet
5AFL08	8" Add-on faucet
5AFL06	6" Add-on faucet
5AFL00	Faucet less nozzle

Model Number	Description	"H" Inches	"L" Inches
5AFL00	No spout	N/A	N/A
5AFL06	6" spout	2-1/8"	6"
5AFL08	8" spout	2-5/8"	8"
5AFL10	10" spout	3-1/8"	10"
5AFL12	12" spout	3-3/4"	12"
5AFL14	14" spout	4-1/4"	14"
5AFL18	18" spout	5-3/8"	18"

5HR-HDL Hose Reel Grip Handle Assembly

- Black handle assembly with 1/2" NPSM inlet
- Includes washer



5HR-2SA Swivel Assembly

- 3/8" NPT swivel assembly with stainless steel inlet and brass swivel outlet



Certified to NSF/ANSI 61/9

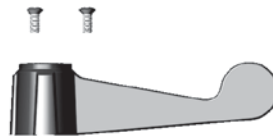
Ceramic Cartridge Assembly

- Hot Cartridge: 013787-45
- Cold Cartridge: 013788-45



5-HDL-W 4" Wrist Action Handle Kit

- Includes one handle and two screws (hot and cold)



5F-VF05 Vandal-Resistant Non-Aerated Spray Device

- Water-saving aerator at 0.5 GPM
- Vandal-resistant, 3/4-27UN
- Can be substituted on any Equip faucet
- Includes vandal-resistant key



5-HDL-L Lever Handle Kit

- Includes one handle and two colored screws (hot and cold)



014046-40 Deck Mount Inlet Kit

- 1/2" NPT on both ends of nipples (2)
- Includes lock nut and lock washer



014061-40 Wall Mount Inlet Kit

- 1/2" NPT supply nipples (2), lock nut and washer
- 1/2" NPT male and female short el



Accessories

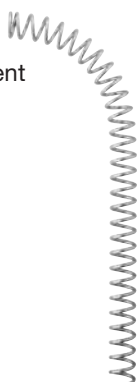
5R-18 Riser

- Pre-rinse unit replacement part



014068-45 Coiled Spring

- Pre-rinse unit replacement part



5HSE44 Stainless Steel Hose

- 44" length
- Stainless outer cover
- Rubber inner hose
- Other hose lengths available:

5HSE68 68" hose
5HSE84 84" hose
5HSE96 96" hose



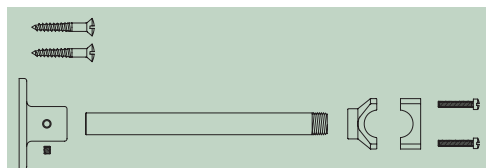
5HR-2HSE-35 Black Hose Assembly

- 35' black hose
- Max. pressure: 2250 PSI
- Max. temp.: 176°F
- Stainless steel spring protector
- 3/8" NPT both ends



013716-40 6" Wall Bracket

(shown, right)



5WG-1000-01 Water Gun

- 5WG-1000-01 – With quick-disconnect, and 1/2" and 3/8" adapters



5SV Spray Valve for All Pre-Rinse Units

- 3/4-14 inlet
- EPAAct 2005 Compliant
- 1.42 GPM at 60 PSI
- Also available:
- 5SV-B Spray valve bonnet assembly
- SV-RK Spray valve repair kit (includes bumper ring, spray face and screw)



5SV-WH Spray Valve, Handle and Ring

- Same as 5SV spray valve except includes handle and ring



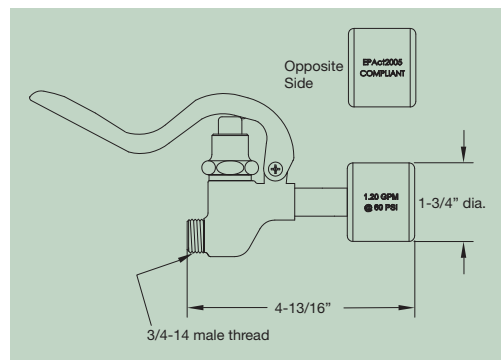
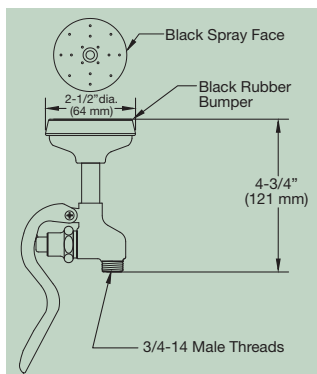
5SV-C Low Flow Spray Valve for All Pre-Rinse Units

- 1.2 GPM at 60 PSI



5SV-H High Flow Spray Valve

- Not intended for warewashing



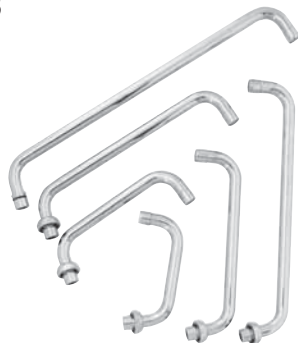
STANDARD – Goosenecks/Nozzles

Swing Nozzles

- 3/4-27 Laminar outlet

• Available:

- 5SP-18 18" swing nozzle
- 5SP-16 16" swing nozzle
- 5SP-14 14" swing nozzle
- 5SP-12 12" swing nozzle
- 5SP-10 10" swing nozzle
- 5SP-08 8" swing nozzle
- 5SP-06 6" swing nozzle



Certified to NSF/ANSI 61/9

5SP-03

3" Rigid Gooseneck

- 3/4-27 Laminar outlet
- 5" clearance
- 8-3/4" height



5SP-03

5SP-05

Swivel Gooseneck

- 3/4-27 Laminar outlet
- 5-1/2" clearance
- 11" height



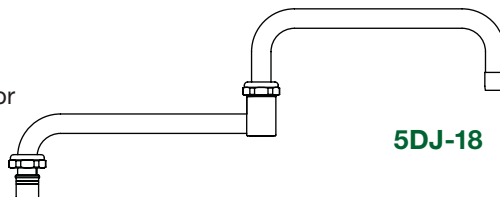
5SP-05

OPTIONS – Goosenecks/Nozzles

5DJ-18

Double-Joint Nozzle

- 18" double-joint swivel nozzle with aerator
- 360° swivel piece fits swivel outlets
- 7-1/4" total height



5DJ-18

5SP-03A

3" Swivel Gooseneck

- 3/4-27 2.2 GPM aerator outlet
- 2-13/16" clearance
- 9-1/8" height



5SP-08A

8" Swing Nozzle

- 3/4-27 2.2 GPM aerator outlet
- 8-1/8" clearance
- 4-5/8" height



5SP-05A

5 1/2" Swivel Gooseneck

- 3/4-27 2.2 GPM aerator outlet
- 5-9/16" clearance
- 11-1/16" height



5SP-10A

10" Swing Nozzle

- 3/4-27 2.2 GPM aerator outlet
- 10-1/8" clearance
- 5-1/8" height



5SP-06A

6" Swing Nozzle

- 3/4-27 2.2 GPM aerator outlet
- 6-1/8" clearance
- 4-1/16" height



5SP-12A

12" Swing Nozzle

- 3/4-27 2.2 GPM aerator outlet
- 12-1/8" clearance
- 5-11/16" height



Warranty

All Equip products are warranted to be free from defects in material and workmanship for a period of one (1) year from the date of purchase. Liability is limited thereunder to factory repair and/or replacement of material found to be defective, after examination by Equip, during the warranty period. No claims for labor, shipping costs or consequential damages will be accepted or honored. Replacement and/or repair under this warranty will be made within a reasonable time after receipt by Equip of the allegedly defective item.

Items which have received secondary finishing or have been altered in any way after purchase are not covered by this warranty. Claims resulting from damaged cartons must be filed with the carrier.

Some states do not allow limitations on how long an implied warranty lasts or on the exclusion of incidental or consequential damages, so all the limitations or exclusions appearing herein may not be permitted by your state and, therefore, your local statutes should be consulted with respect thereto or with respect to any other rights which your state statutes may specifically confer on you.

After receiving proper authorization, all returns of merchandise which are claimed defective under this warranty must be sent to:

Equip

2 Saddleback Cove, P.O. Box 1088

Travelers Rest, South Carolina, 29690,

clearly marked to the attention of the Warranty Repair Department. Shipping charges, both ways, shall be paid by the customer.

Certification

Equip proudly displays the certifications of the International Standardization Organization (ISO), Underwriters Laboratories (UL), and CSA International (Canadian Standards Association). These certifications demonstrate that Equip consistently delivers the quality products and services on which its customers depend.



The company's ISO-9001:2008 certification is based on an evaluation of its performance of the jobs and processes that potentially affect product quality. By proving itself under these strict regulations, Equip guarantees its products will be manufactured to meet industry standards.

