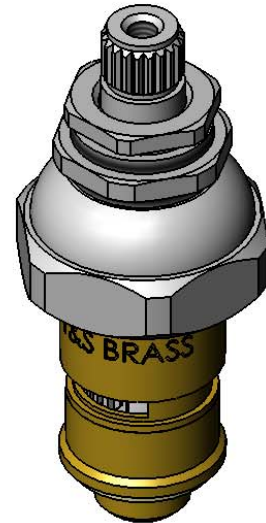
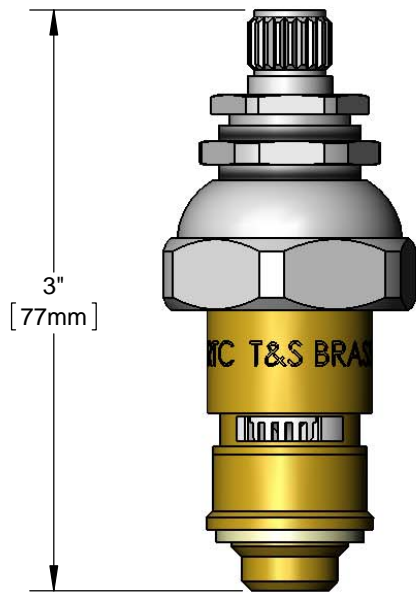




Architect/Engineering Specifications:

Cerama cartridge, RTC with escutcheon bonnet. Fits all T&S faucets. Certified to NSF 61-Section 9 and NSF 372.

Job Name _____
 Model Specified _____ Quantity _____
 Variations Specified _____
 Date _____



Features & Benefits:

- Cerama cartridge, RTC
- Escutcheon bonnet
- Fits all T&S faucets
- Material: Chrome plated brass

Product Compliance:

- ASME A112.18.1 / CSA B125.1
- NSF 61 - Section 9
- NSF 372 (Low Lead Content)



Warranty: Lifetime (Limited)

Performance Data:

- Pressure: 20 - 125 psi
- Temperature: 40 °F - 180 °F
- Flow Rate: 7.66 GPM @ 60 psi

