



## USTS II Universal Steam Trap Station (Requires Universal Trap of Choice)

The USTS-II Universal steam trap station is designed to have inlet and outlet isolation valves, a integral strainer with blow-down and test valve. Designed as a complete steam main drip or tracer steam trap station. The station will support all of the Spirax Sarco universal connection steam traps.

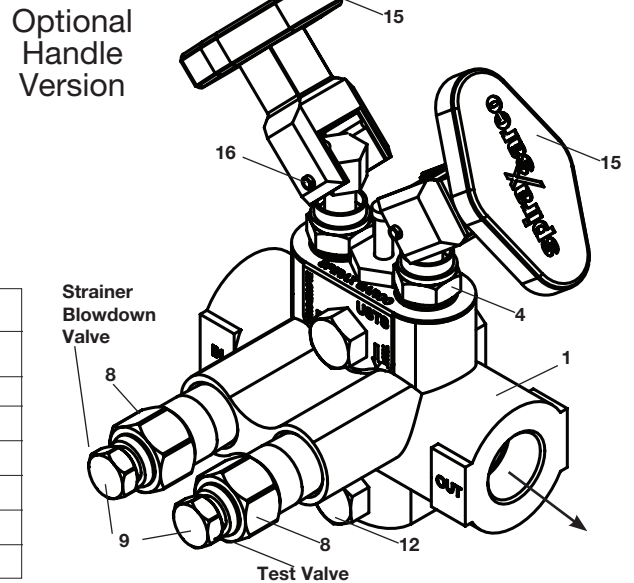
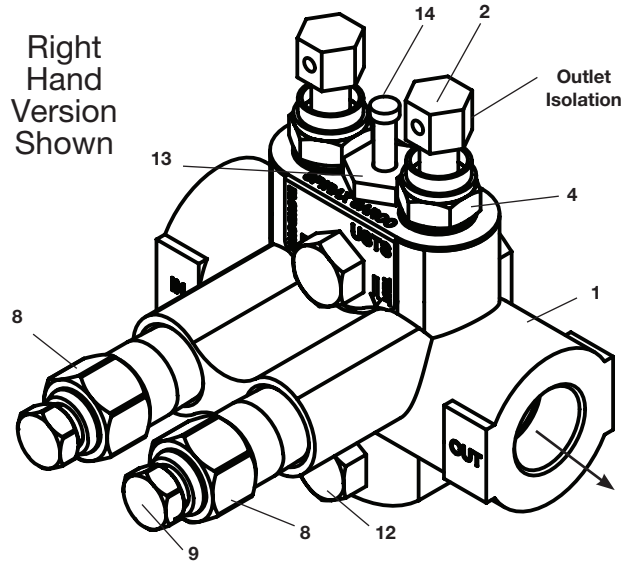
### Limiting Operating Conditions

Max. Operating Pressure (PMO)	650 psig (45 barg)
Max. Operating Temperature (TMO)	750°F (399°C)
Pressure Shell Design Conditions	
PMA	650 psig (45 barg)

### Construction Materials

No.	Part	Material
1	Body casting	Stainless Steel ASTM A351 CF8
2	Valve spindle	Stainless Steel
3	Valve head (internal)	Stainless Steel
4	Valve packing unit	Stainless Steel
5	Valve packing (internal)	Graphite
6	Washers (internal)	Stainless Steel
7	Strainer screen (internal)	Stainless Steel
8	Blowdown valve body	Stainless Steel
9	Blowdown valve stem	Stainless Steel
10	Blowdown ball head (Internal)	Stainless Steel
11	Blowdown retaining clip (internal)	Stainless Steel
12	Connector screws	Alloy Steel (Plated) ASTM A193 Gr.B7
13	Locking Nut	Stainless Steel
14	Locking Nut Pin	Stainless Steel
15	Handle	Stainless Steel
16	Handle Pin	Stainless Steel

Model	USTS II
PMO	650 psig
Sizes	1/2", 3/4"
Standard Flow Direction	Left to Right (Right Hand)
Connections	NPT, SW
Construction	Stainless Steel
Optional Flow Direction	Right to Left (Left hand), handle option



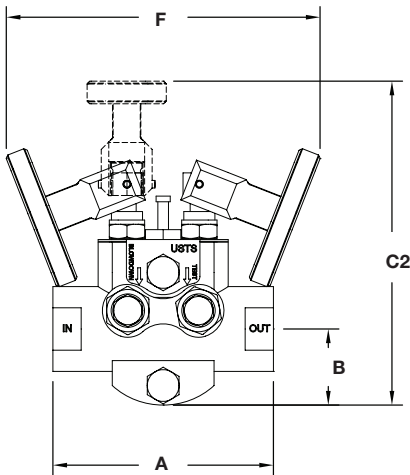
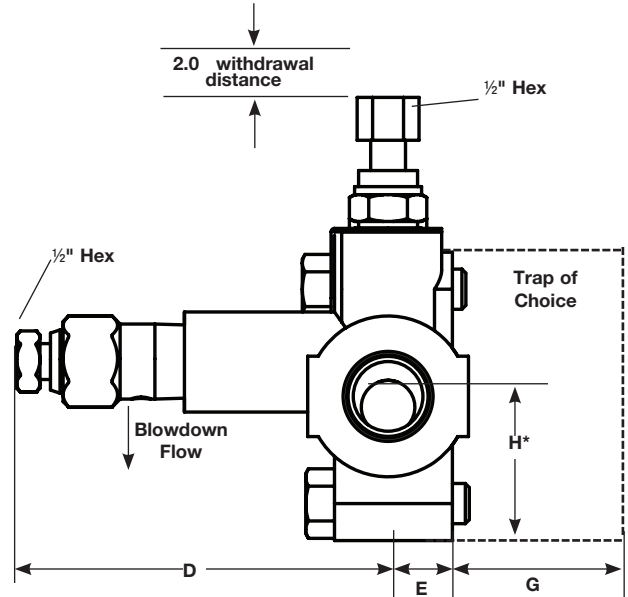
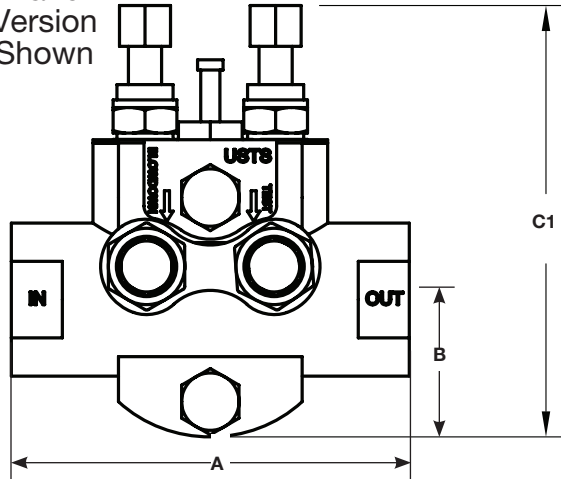
### Compatible Spirax Sarco Universal Steam Traps

Trap type	Model	Model	Model	Model
Thermdynamic	UTD52L	UTD52H	UTD52-HP	UTDS52L
Balanced pressure	UBP32			
Inverted Bucket	UIB30/4	UIB30/5	UIB30/6	UIB30H/8
Inverted Bucket	UIB30H/10			
Float & Thermostatic	UFT32-4.5	UFT32-10	UFT32-14	UFT32-21
Float & Thermostatic	UFT32-32			
Bimetallic	USM21			

*Local regulation may restrict the use of this product below the conditions quoted. Limiting conditions refer to standard connections only.  
In the interests of development and improvement of the product, we reserve the right to change the specification.*

# USTS II Universal Steam Trap Station

Right Hand Version Shown



Station Weight (no trap) 3.0 lbs No handles  
3.7 lbs With handles

A	B	C1	C2	D	E	F
3.9"	1.4"	3.7"	5.7"	3.5"	.6"	5.5"

G	G	G	G	G	G
UTD52L	UTD52H	UFT	UIB30	UIB30H	UBP32
4.3"	4.8"	9.0"	6.2"	9.6"	3.2"

H	H	H	H	H	H
UTD52L	UTD52H	UFT	UIB30	UIB30H	UBP32
1.3"	1.3"	2.2"	4.9"	6.3"	1.3"

\*H = Centerline of trap station connector to bottom of trap

## USTS II Sample Specification

The USTS steam trap station to be manufactured of all stainless steel construction. The station will have two isolation valves, one trap test valve and one strainer blowdown valve. The test valve is on the discharge side of the trap to test trap function: to depressurize that area, or to check the condensate return lines for plugging. The inlet isolation valve blocks the trap inlet while the outlet valves blocks the outlet to the condensate return line downstream of the test valve. The station is supplied with an integral inlet strainer with a blowdown valve for clean out and depressurized mode so the trap or strainer can be repaired or replaced. The station will accept all Spirax Sarco universal traps or any competitors traps who use the standard universal connector design. To be supplied with either left to right flow or right to left flow. Handle option available on all models.

## Installation

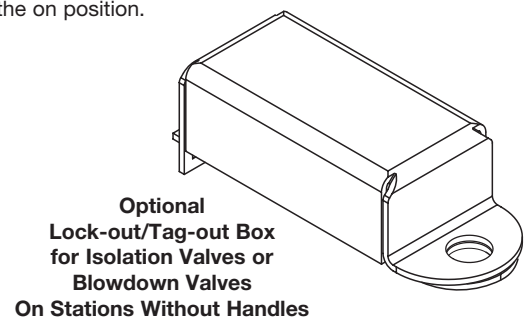
Valve handles to be in upward position, with the strainer pointing straight down and trap connection on the side. Mount selected trap to the connector and torque to proper torque level. On initial start-up turn inlet and outlet valves to test to blow any installation dirt and debris from the system, (be careful to stay away from flow). Turn both valves to the on position.

## How to order

Model number / pipe size / connection type  
Example: USTS II 3/4" NPT (L/R right hand)

## SPARES

Blowdown Valve Assembly	2 required for complete station
Strainer Screen	1 required
Valve Assembly (isolation) With or Without Handles	2 required for complete station
Mounting bolts	2 required



TI-6-808-US 12.15