



Fig 36 Austenitic Stainless Steel Strainer

Description

The Fig 36 is an austenitic stainless steel integrally flanged Y-type strainer. The standard stainless steel screen in the DN15 to DN80 size range has 0.8 mm perforations, in the DN100 to DN200 size range it has 1.6 mm perforations. Other perforations, mesh sizes and monel screens are available as options. The strainer cap can be drilled and tapped for blowdown and drain valves if required.

Standards

This product fully complies with the requirements of the EU Pressure Equipment Directive/UK Pressure Equipment (Safety) Regulations and carries the  mark when so required.

Certification

The product is available with a manufacturers' Typical Test Report as standard and EN 10204 3.1 for body and cap by special request.

Note: All certification/inspection requirements must be stated at the time of order placement.

Sizes and pipe connections

DN15, DN20, DN25, DN32, DN40, DN50, DN65, DN80, DN100, DN125, DN150 and DN200

Standard flange:

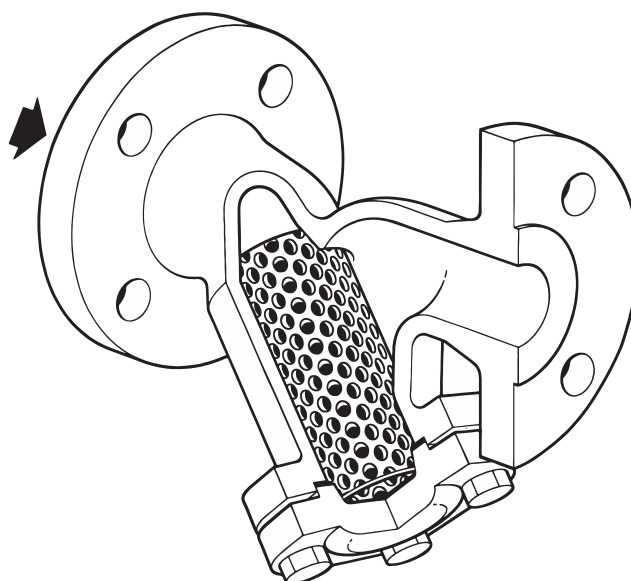
EN 1092 PN16, PN25 and PN40 (DN15 to DN50)

EN 1092 PN25 and PN40 (DN65 to DN150)

EN 1092 PN40 (DN200)

ANSI Class 150 and ANSI Class 300 (All sizes)

JIS/KS flanges are available on request.



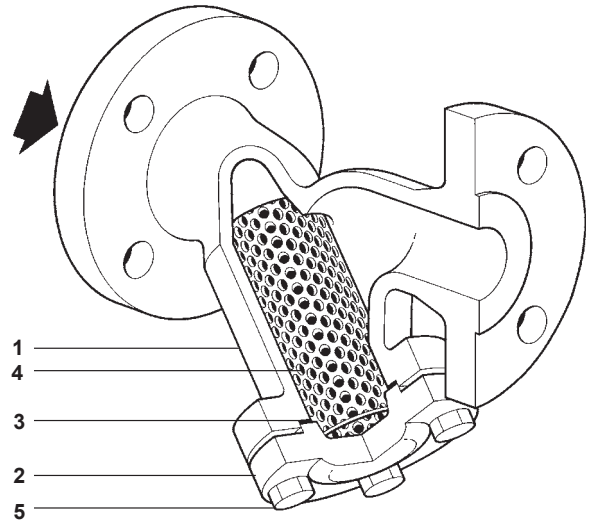
Optional extras

Stainless steel screens	Perforations	1.6 mm (DN15 to DN80)
		3.0 mm (DN15 to DN200)
	Mesh	40, 100, 200
	Strainer screens	
Monel screens	Perforations	0.8 mm (DN15 to DN80)
		1.6 mm (DN100 to DN200)
		3.0 mm (DN15 to DN200)
	Mesh	100

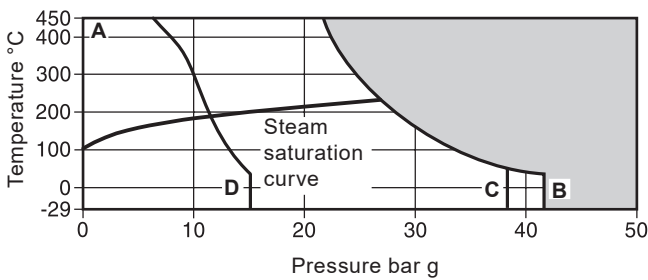
	Strainer size	Blowdown valve	Drain valve
Blowdown or drain valve connections The cap can be drilled to the following sizes to enable a blowdown or drain valve to be fitted.	DN15	1/4"	1/4"
	DN20 and DN25	1/2"	1/2"
	DN32 and DN40	1"	3/4"
	DN50 to DN125	1 1/4"	3/4"
	DN150 and DN200	2"	3/4"

Materials

No.	Part	Size	Material
1	Body		Austenitic stainless steel ASTM A351 CF3M
2	Cap	DN15 - DN50	Austenitic stainless steel ASTM A182F316L
		DN65 - DN200	Austenitic stainless steel ASTM A351 CF3M
3	Cap gasket		Reinforced exfoliated graphite
4	Strainer screen		Austenitic stainless steel ASTM A240 316L
5	Cap bolt		Austenitic stainless steel ISO 3506 A2-70



Pressure/temperature limits



The product **must not** be used in this region.

A - B Flanged ANSI 300.

A - C Flanged EN 1092 PN40.

Body design conditions		ANSI 300 (PN50)
PMA	Maximum allowable pressure	41 bar g @ 38 °C
TMA	Maximum allowable temperature	450 °C @ 21 bar g
Minimum allowable temperature		-29 °C
PMO	Maximum operating pressure	ANSI 150
		PN40
		ANSI 300
TMO	Maximum operating temperature	450 °C @ 21 bar g
Minimum operating temperature		-29 °C
Note: For lower operating temperatures consult Spirax Sarco.		
Designed for a maximum cold hydraulic test pressure of:		76 bar g

K_v values

Size	DN15	DN20	DN25	DN32	DN40	DN50	DN65	DN80	DN100	DN125	DN150	DN200
Perforations 0.8, 1.6 and 3 mm	5	8	13	22	29	46	72	103	155	237	340	588
Mesh 40 and 100	5	8	13	22	29	46	72	103	155	237	340	588
Mesh 200	4	6	10	17	23	37	58	83	124	186	268	464

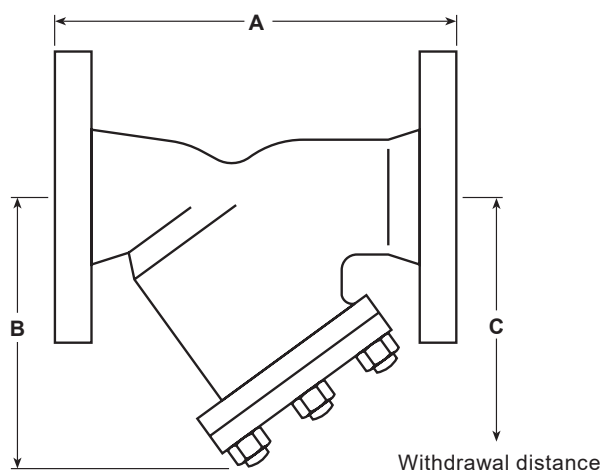
For conversion:

$$C_v \text{ (UK)} = K_v \times 0.963$$

$$C_v \text{ (US)} = K_v \times 1.156$$

Dimensions/weights (approximate) in mm and kg

Size	EN1092 PN16/25/40 A	ANSI 150 A	ANSI 300 A	B	C	Screening area cm ²	Weight
DN15	130	124	130	70	120	28	2.5
DN20	150	142	149	80	130	46	4.5
DN25	160	156	163	95	162	79	5.0
DN32	180	180	180	130	235	135	10.0
DN40	200	200	208	146	260	161	12.0
DN50	230	230	241	180	320	251	16.5
DN65	290	290	290	200	325	325	23.0
DN80	310	310	310	205	330	360	35.6
DN100	351	351	351	255	405	540	38.5
DN125	400	400	400	315	510	840	76.0
DN150	480	475	480	345	560	1 115	109.0
DN200	600	594	600	440	710	1 905	144.0



Safety information, installation and maintenance

For full details see the Installation and Maintenance Instructions (IM-S60-18) supplied with the product.

Installation note:

The strainer should be installed in the direction of flow, as indicated on the body. On applications involving steam or gases the pocket should be in the horizontal plane. On liquid systems the pocket should point downwards. Suitable isolation valves must be installed to allow for safe maintenance and trap replacement.

Maintenance note:

Maintenance can be completed with the strainer in the pipeline, once the safety procedures have been observed. It is recommended that a new gasket is used whenever maintenance is undertaken.

Warning:

The strainer cap gasket contains a thin stainless steel support ring, which may cause physical injury if it is not handled and disposed of carefully.

Disposal

The product is recyclable. No ecological hazard is anticipated with disposal of this product, providing due care is taken.

How to order

Example: 1 off Spirax Sarco DN32 Fig 36 strainer having a stainless steel screen with 0.8 mm perforations. The connections are to be flanged EN 1092 PN40.

Spare parts

The spare parts available are shown in solid outline. Parts drawn in a grey line are not supplied as spares.

Available spares



Strainer screen (state material, size of perforations or mesh and size of strainer)	4
Cap gasket (3 off)	3

How to order spares

Always order spares by using the description given in the column headed 'Available spares' and state the size and type of strainer and perforation or mesh required.

Example: 1 off stainless steel strainer screen, having 0.8 mm perforations for a DN50 Spirax Sarco Fig 36 strainer having EN 1092 PN40 connections.

Recommended tightening torques

Item	Size	Qty	or mm		N m
					
5	DN15 - DN25	4	16 A/F	M10 x 30	22 - 25
	DN32 - DN40	4	19 A/F	M12 x 35	40 - 45
	DN50	8	19 A/F	M12 x 35	40 - 45
	DN65	8	19 A/F	M12 x 45	40 - 45
	DN80	8	19 A/F	M12 x 50	40 - 45
	DN100	8	24 A/F	M16 x 50	100 - 110
	DN125	8	30 A/F	M20 x 60	160 - 170
	DN150	8	30 A/F	M20 x 65	210 - 230
	DN200	8	36 A/F	M20 x 75	210 - 230

