

Part No: CLIC-020

CLIC® TOP & CLIC® Pipe Hangers & Spacers

CLIC® Top Premium Pipe Hangers

Desc: 2 IPS CLIC TOP GRAY PIPE CLAMP

MSRP: 19.58

Part Code: 893

Weight(lbs): 0.071

Weight(kg): 0.032

Weight(gm): 32

Size: 2

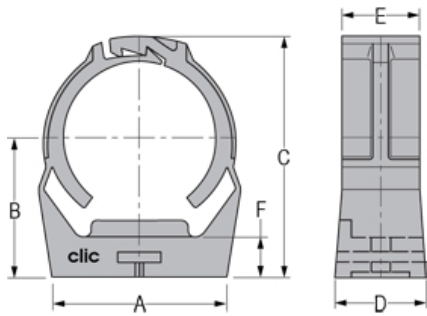
Color: GRAY

Material: PolyAmide 12

Type IPS Pipe Hanger

Connection Pipe Clamp

Note Not Approved for FlameGuard® Pipe



E = 27/32

F = 7/16

A = 2-5/8

B = 2-1/16

C = 3-15/32

D = 15/16

Injection Molded Dimension References:

G = (LAYING LENGTH) intersection of center lines to bottom of socket/thread; 90° elbows, tees, crosses; ± 1/32 inch.

H = Intersection of center lines to face of fitting; 90° elbows tees, crosses; ± 1/32 inch.

J = Intersection of center lines to bottom of socket/thread; 45° elbows; ± 1/32 inch

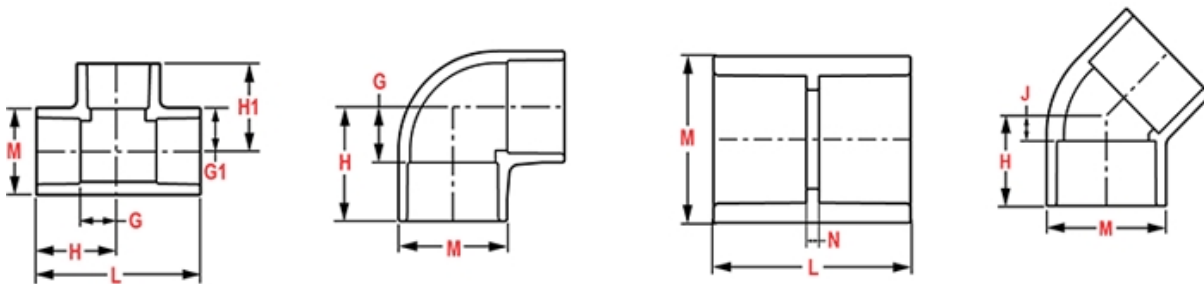
L = Overall length of fittings; ± 1/16 inch.

M = Outside diameter of socket/thread hub; ± 1/16 inch.

N = Socket bottom to socket bottom; couplings; ± 1/16 inch.

W = Height of cap; ± 1/16 inch

Typical Molded Dimension References



The information printed here is based on current information & product design at the time of publication and is subject to change without notification. Spears® ongoing commitment to product improvement may result in some variation. No representation, guarantees or warranties of any kind are as to its accuracy, suitability for particular application or results to be obtained therefrom. For verification of technical data or additional information, please contact Spears® Technical Service Department :: WEST COAST : (818) 364-1611 - EAST COAST : (717) 938-9006