

Part No: 842-005

Schedule 80 PVC & CPVC

Elbow

Desc: 1/2 PVC 22-1/2 ST ELL SPIGOTXSOC SCH80

MSRP: 12.79

Part Code: 080

Weight(lbs): 0.049

Weight(kg): 0.022

Weight(gm): 22

Size: 1/2"

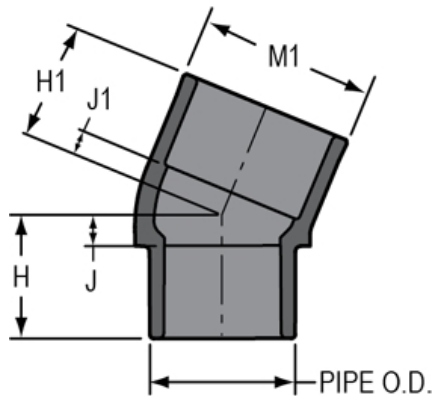
Color: GRAY

Material: PVC

Connection Spigot x Socket

Angle 22-1/2°

Type Standard



J1 = 1/32

M1 = 1-3/16

H = 1-1/8

H1 = 15/16

J = 1/4

Injection Molded Dimension References:

G = (LAYING LENGTH) intersection of center lines to bottom of socket/thread; 90° elbows, tees, crosses; ± 1/32 inch.

H = Intersection of center lines to face of fitting; 90° elbows tees, crosses; ± 1/32 inch.

J = Intersection of center lines to bottom of socket/thread; 45° elbows; ± 1/32 inch

L = Overall length of fittings; ± 1/16 inch.

M = Outside diameter of socket/thread hub; ± 1/16 inch.

N = Socket bottom to socket bottom; couplings; ± 1/16 inch.

W = Height of cap; ± 1/16 inch

Typical Molded Dimension References

