

Part No: 803-095CSR

Schedule 80 PVC & CPVC

Tee

Desc: 3/4X1/2X3/4 CPVC INSTRUMENT PRBE FITTING

MSRP: 27.2

Part Code: 096

Weight(lbs): 0.163

Weight(kg): 0.074

Weight(gm): 74

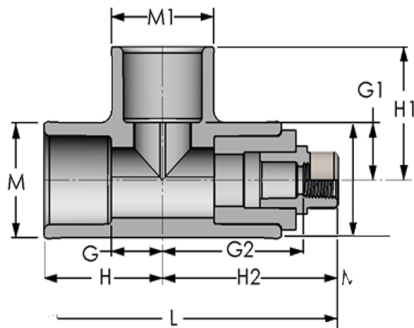
Size: 3/4"X1/2"X3/4"

Color: GRAY

Material: CPVC

Connection Socket x SR Fipt x Socket

Type Reduction



G = 11/16	G1 = 11/16	G2 = 11/16	H = 1-11/16	H1 = 1-11/16
H2 = 1-13/32	L = 3- 1/8	M = 1-13/32	M1 = 1-13/32	M2 = 1-7/32

Injection Molded Dimension References:

- G** = (LAYING LENGTH) intersection of center lines to bottom of socket/thread; 90° elbows, tees, crosses; ± 1/32 inch.
- H** = Intersection of center lines to face of fitting; 90° elbows tees, crosses; ± 1/32 inch.
- J** = Intersection of center lines to bottom of socket/thread; 45° elbows; ± 1/32 inch
- L** = Overall length of fittings; ± 1/16 inch.
- M** = Outside diameter of socket/thread hub; ± 1/16 inch.
- N** = Socket bottom to socket bottom; couplings; ± 1/16 inch.
- W** = Height of cap; ± 1/16 inch

Typical Molded Dimension References

