

Part No: 2721-015PSR

Valves

Diaphragm Valve

Desc: 1-1/2 GFPP DIAPHRAGM VALVE SR/THD EPDM

MSRP: 389.96

Part Code: 280

Weight(lbs): 3.131

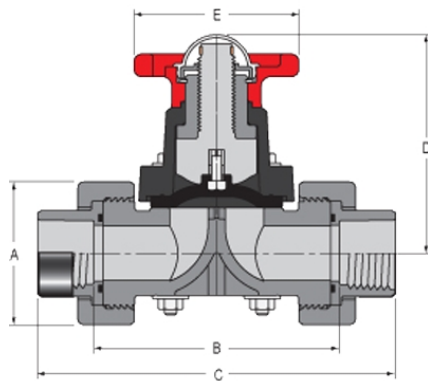
Weight(kg): 1.42

Weight(gm): 1420

Size: 1-1/2

Color: BEIGE

Material: Polypropylene



Connection SR Fipt

O-Ring EPDM

Diaphragm Material EPDM

A = 3-17/32

B = 6- 5/16

C = 8- 7/16

D = 5- 5/8

E = 4- 5/8

Injection Molded Dimension References:

G = (LAYING LENGTH) intersection of center lines to bottom of socket/thread; 90° elbows, tees, crosses; ± 1/32 inch.

H = Intersection of center lines to face of fitting; 90° elbows tees, crosses; ± 1/32 inch.

J = Intersection of center lines to bottom of socket/thread; 45° elbows; ± 1/32 inch

L = Overall length of fittings; ± 1/16 inch.

M = Outside diameter of socket/thread hub; ± 1/16 inch.

N = Socket bottom to socket bottom; couplings; ± 1/16 inch.

W = Height of cap; ± 1/16 inch

Typical Molded Dimension References



The information printed here is based on current information & product design at the time of publication and is subject to change without notification. Spears® ongoing commitment to product improvement may result in some variation. No representation, guarantees or warranties of any kind are as to its accuracy, suitability for particular application or results to be obtained therefrom. For verification of technical data or additional information, please contact Spears® Technical Service Department :: WEST COAST : (818) 364-1611 - EAST COAST : (717) 938-9006