

Part No: 2011-012C

Valves

Gate Valve

Desc: 1-1/4 CPVC GATE VALVE THD BUNA

MSRP: 247.56

Part Code: 202

Weight(lbs): 1.731

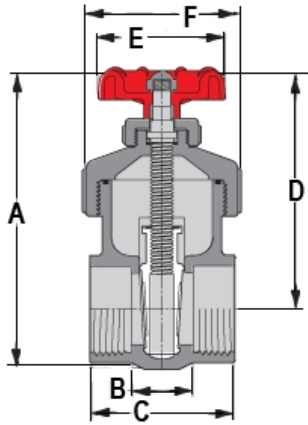
Weight(kg): 0.785

Weight(gm): 785

Size: 1-1/4"

Color: GRAY

Material: CPVC



Connection Fipt
O-Ring Buna-N

A = 8- 1/16

B = 1- 9/16

C = 3- 9/16

D = 6- 9/16

E = 3- 7/16

F = 3-15/16

Injection Molded Dimension References:

G = (LAYING LENGTH) intersection of center lines to bottom of socket/thread; 90° elbows, tees, crosses; ± 1/32 inch.

H = Intersection of center lines to face of fitting; 90° elbows tees, crosses; ± 1/32 inch.

J = Intersection of center lines to bottom of socket/thread; 45° elbows; ± 1/32 inch

L = Overall length of fittings; ± 1/16 inch.

M = Outside diameter of socket/thread hub; ± 1/16 inch.

N = Socket bottom to socket bottom; couplings; ± 1/16 inch.

W = Height of cap; ± 1/16 inch

Typical Molded Dimension References

