

Part No: 1839-005C

Valves

True Union Ball Valve

Desc: 1/2 CPVC TU2K IND BALL VALVE SOC/FPT FKM

MSRP: 122.48

Part Code: 602

Weight(lbs): 0.487

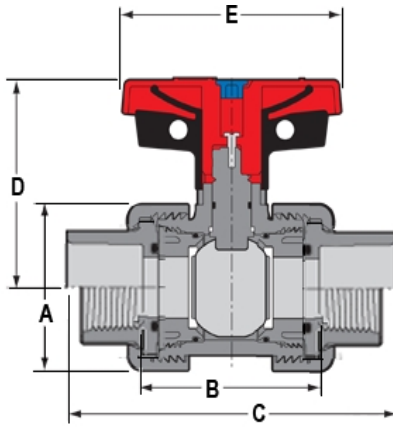
Weight(kg): 0.221

Weight(gm): 221

Size: 1/2"

Color: GRAY

Material: CPVC



Type TU 2000 - Industrial
O-Ring FKM
Connection Socket + Fipt
Pressure Rating 235 psi @ 73° F

A = 1-15/16

B = 2-1/2

C = 4-1/4

D = 2- 9/16

E = 2-7/8

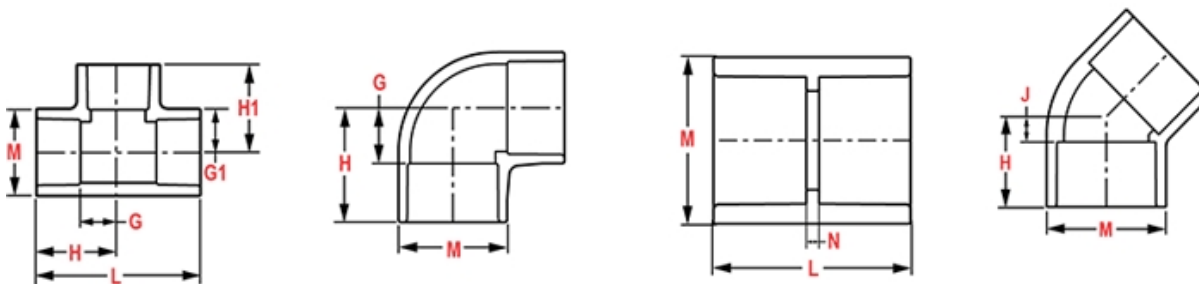
Cv = 29

Values

Injection Molded Dimension References:

- G** = (LAYING LENGTH) intersection of center lines to bottom of socket/thread; 90° elbows, tees, crosses; ± 1/32 inch.
- H** = Intersection of center lines to face of fitting; 90° elbows tees, crosses; ± 1/32 inch.
- J** = Intersection of center lines to bottom of socket/thread; 45° elbows; ± 1/32 inch
- L** = Overall length of fittings; ± 1/16 inch.
- M** = Outside diameter of socket/thread hub; ± 1/16 inch.
- N** = Socket bottom to socket bottom; couplings; ± 1/16 inch.
- W** = Height of cap; ± 1/16 inch

Typical Molded Dimension References



The information printed here is based on current information & product design at the time of publication and is subject to change without notification. Spears® ongoing commitment to product improvement may result in some variation. No representation, guarantees or warranties of any kind are as to its accuracy, suitability for particular application or results to be obtained therefrom. For verification of technical data or additional information, please contact Spears® Technical Service Department :: WEST COAST : (818) 364-1611 - EAST COAST : (717) 938-9006