

► **Code Number**

3375300

► **Description**

Exposed, Solar Powered, Sensor Activated Sloan SOLIS® Dual Flush Model Retrofit Conversion Kit for Exposed Closet Flushometers.

► **Flush Cycle**

Full Flush (Large Button - 1.6 gpf/6.0 Lpf) / Reduced Flush (Small Button - 1.1 gpf/4.2 Lpf)

► **Specifications**

Quiet, Exposed, Sloan Solis® Dual Flush, Solar Powered, Sensor Activated Closet Flushometer Retrofit Conversion Kit for Royal®, Sloan® and Regal® Flushometers with the following features:

- Initial Set-up Range Indicator Light (first 10 minutes)
- User friendly three (3) second Flush Delay
- "Low Battery" Flashing LED
- Installation Tools provided
- Reduces water volume by up to 30% when a reduced flush occurs
- Solar Powered. The sensor assembly is powered by a solar cell that will harvest power from artificial indoor light, either incandescent or fluorescent light, and use it as the energy source. The solar cell can provide approximately 100% power with 650 Illuminance (lux).
- Four (4) Size AA Battery Back-up Power Source
- Infrared Sensor with Multiple-focused, Lobular Sensing Fields for high and low target detection
- Latching Solenoid Operator
- Infrared Sensor Range Adjustment Screw
- Fixed Metering Bypass and No External Volume Adjustment to Ensure Water Conservation
- If the user is present for less than one minute and leaves the sensing zone or chooses the small override button, a reduced flush initiates (1.1 gpf/4.2 Lpf) eliminating liquid and paper waste, saving 1/2 gallon of water
- If the user is present for greater than one minute and leaves the zone or chooses the large override button, the full flush initiates (1.6 gpf/ 6.0 Lpf) eliminating solid waste and paper
- PERMEX® Synthetic Rubber Flex Tube Diaphragm with Dual filtered bypass designed for improved life and reduced maintenance
- Flex Tube Diaphragm designed for improved life and reduced maintenance
- ADA Compliant Sloan SOLIS® Electronic Single Flush Solar Powered Infrared Sensor for automatic "No Hands" operation
- Engineered Metal Cover with replaceable Lens Window
- Diaphragm molded from PERMEX® Rubber Compound for Chloramine resistance
- Courtesy Flush® Override Buttons
- CP Handle Cap



► **Automatic Operation**

Sloan SOLIS® Solar powered, Dual Flush Flushometers can also be activated via multi-lobular infrared sensor. By detecting user presence and duration, the Sloan Solis® Smart Sense Technology™ will determine the proper flush volume for unequalled water efficiency.

► **Manual Operation**

Sloan SOLIS® Solar powered, Single Flush Flushometers incorporate intuitive button design for easy manual activation. Straightforward graphics alert user to proper activation.

► **Functional & Hygienic**

Touchless, sensor operation eliminates the need for user contact to help control the spread of infectious diseases.

► **Accessories (Sold Separately)**

See Accessories Section and Sloan SOLIS® Dual Flush Accessories Section of the Sloan catalog for details on these and other Sloan SOLIS® Dual Flush Flushometer variations.

► **Compliance & Certifications**



This space for Architect/Engineer Approval

► ELECTRICAL SPECIFICATIONS

Control Circuit

Solid State

6 VDC Input

8 Second Arming Delay

3 Second Flush Delay

Optional Sentinel Flush

Once Every 72 Hours After the Last Flush. Product shipped from factory with feature turned off. Consult factory to activate.

Sensor Type

Active Infrared

Sensor Range

Nominal 22" - 42" (559 mm - 1067 mm), Adjustable ± 8" (203 mm)

Battery Back Up Type

(4) AA Alkaline

Battery Life

6 Years @ 4,000 flushes/month

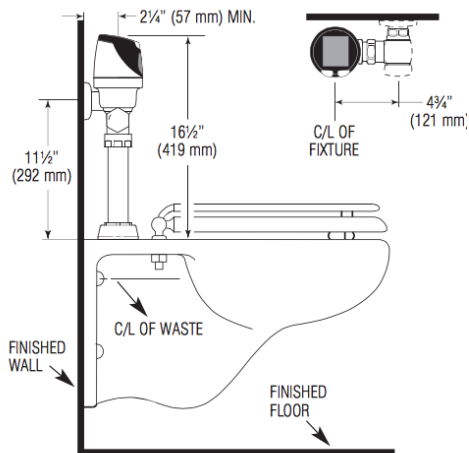
Indicator Lights

Range Adjustment

Operating Pressure

15 - 100 psi (104 - 689 kPa)

► ROUGH-IN



When installing the Sloan SOLIS® Dual Flush in a handicap stall: Per the ADA Guidelines (section 604.9.4) it is recommended that the grab bars be split or shifted to the wide side of the stall.

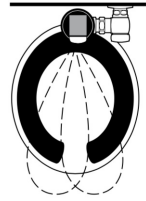


RESS-C shown installed on an existing Sloan Flushometer.

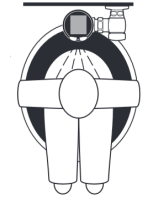
RESS-C units do NOT include a Valve Body, Supply Stop or Vacuum Breaker.

► OPERATION

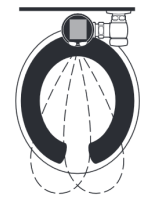
1. A continuous, invisible light beam is emitted from the SOLIS® Sensor.



2. As the user enters the beam's effective range, 22 to 42 inches (559 mm to 1067 mm), the beam is reflected into the Scanner Window to activate the Output Circuit. Once activated, the Output Circuit continues in a "hold" mode for as long as the user remains within the effective range of the sensor. If the user stays longer than 65 seconds, a full flush will automatically initiate when the user leaves.



3. Once a user is detected, if the user leaves in 65 seconds or less, a reduced flush will automatically initiate. The circuit automatically resets and is ready for the next user.



► Sloan SOLIS® Dual Flush Flush Volume For RESS-C Retrofit Models

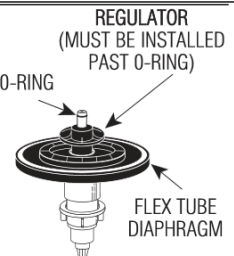
Reference Chart

Fixture & Flush	Regulator Color
1.6 gpf (6.0 Lpf) Closet	Green
1.28 gpf (4.7 Lpf) Closet	Green

RESS-C Sloan SOLIS® Dual Flush Valves are supplied with it's lowest flush volume configuration.

When installing a new Regulator on a Flex Tube Diaphragm Kit, be sure to push the Regulator past the O-ring when installing.

Note: Never use more water than needed. Low Consumption water closets and urinals will not function properly on excess water.



The Flush Volume of the Sloan SOLIS® Electronic Dual Flush Valve is controlled by the Flex Tube Diaphragm Kit.

