

► **Code Number:**

3120000

► **Description**

Exposed Water Closet Flushometer for floor mounted or wall hung top spud bowls.

► **Flush Cycle**

1.6 gpf/6.0 Lpf

► **Specifications**

Quiet, Exposed, Piston Type, Chrome Plated Closet Flushometer with the following features:

ADA Compliant Metal Oscillating Non-Hold-Open Handle with Triple Seal Handle Packing

1" I.P.S. Screwdriver Bak-Chek® Angle Stop

Locking Vandal Resistant Stop Cap

Adjustable Tailpiece

High Back Pressure Vacuum Breaker Flush Connection with One-piece Bottom Hex Coupling Nut

Spud Coupling and Flange for 1½" Top Spud

Sweat Solder Adapter with Cover Tube and Cast Set Screw Wall Flange

High Copper, Low Zinc Brass Castings for Dezincification Resistance

Valve designed to accept Low and Ultra-Low Consumption Pistons only to ensure Water Conservation

Non-Hold-Open Handle, Fixed Metering Bypass and No External Volume Adjustment to Ensure Water Conservation

Handle Packing, Main Seat, Stop Seat and Vacuum Breaker molded from PERMEX™ Rubber Compound for Chloramine Resistance

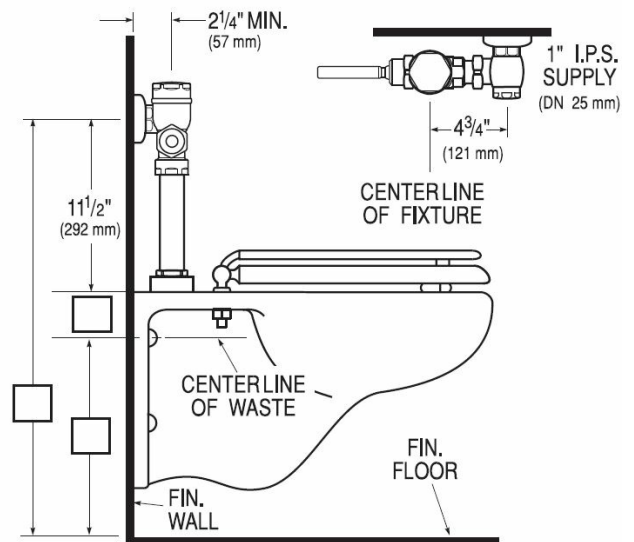
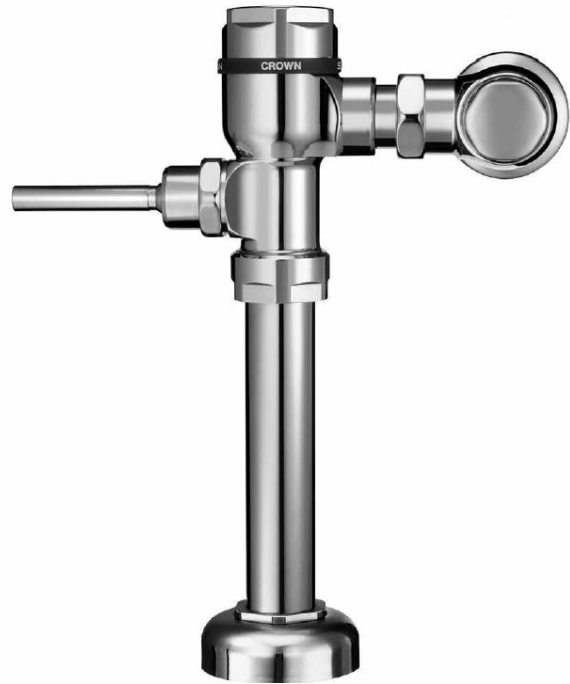
Valve Body, Cover, Tailpiece and Control Stop shall be in conformance with ASTM Alloy Classification for Semi-Red Brass. Valve shall be in compliance to the applicable sections of ASSE 1037

► **Accessories (Sold Separately)**

See Accessories Section of the Sloan catalog for details on these and other Flushometer variations.

► **Fixtures**

Consult factory for matching Sloan brand fixture options



► **Compliance & Certifications**



**Made In The
USA**



This space for Architect/Engineer Approval