

Threaded Union

Specification: MSS-SP83 for 1/8"-3" Class 3000 only

Material: Available in a complete range of Carbon Steels, Stainless Steels, Alloy Steels and Non-ferrous metals certified to ASTM, ASME, and Military standards.

Sizes: 1/8" - 4" in CL 3000 • 1/8" - 3" in CL 6000 • 1/8" - 2-1/2" in CL 9000

Threads: American National Standard Taper Pipe Threads

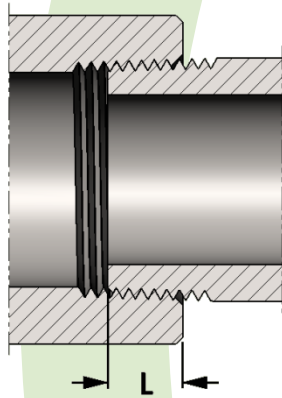
NPT (ANSI/ASME B1.20.1-1983)

Also available in other thread forms: NPTF, NPSC, NPSM, NGT,

SAE, BSPT, BSPP and in any combination.

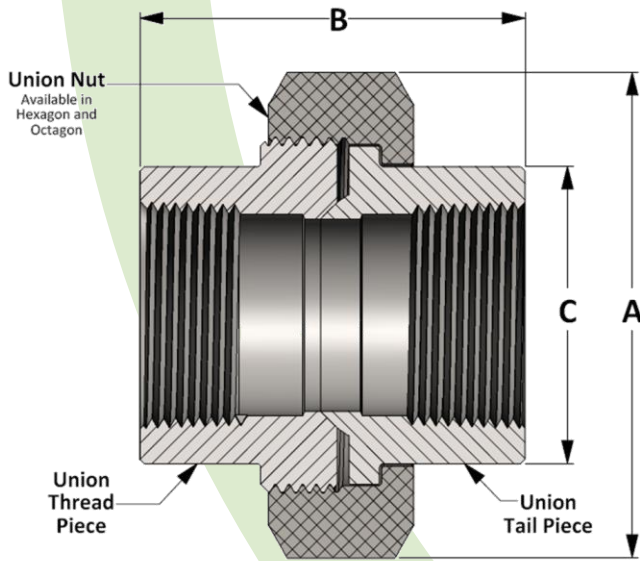
Left hand threads available upon request.

Threaded Pressure Class	Pipe Schedule
Class 2000	S80/XH
Class 3000	S160
Class 6000	XXH

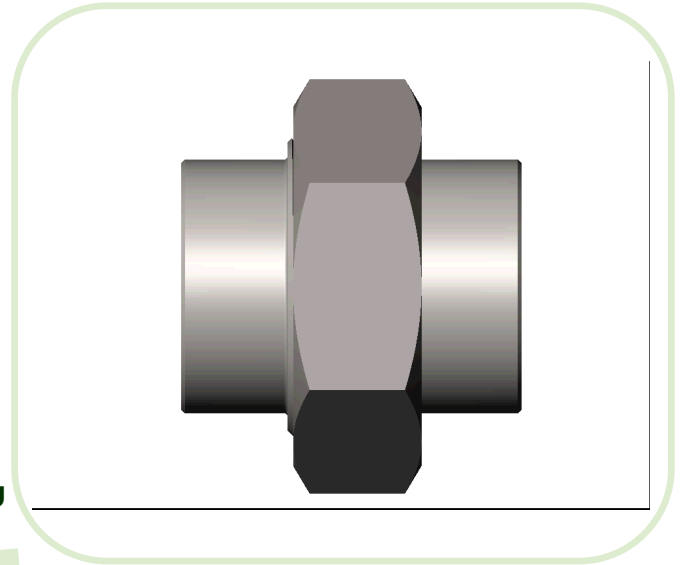


SIZE	L	SIZE	L
1/8	0.273	2	0.697
1/4	0.395	2-1/2	0.933
3/8	0.407	3	1.016
1/2	0.534	3-1/2	1.071
3/4	0.553	4	1.094
1	0.661	5	1.187
1-1/4	0.681	6	1.208
1-1/2	0.681	8	1.313

**Length of thread
screwed into fitting**



**Animated
Model**



All dimensions are in inches • Weights are based on Carbon Steel

PIPE SIZE	CLASS 3000 – Figure No. 03017												
	1/8	1/4	3/8	1/2	3/4	1	1-1/4	1-1/2	2	2-1/2	3	3-1/2	4
A	1.375	1.375	1.625	1.813	2.25	2.563	3.063	3.438	4.063	4.875	5.688	6.875	6.875
B	1.625	1.625	1.750	2.000	2.313	2.500	2.813	3.000	3.438	4.000	4.375	8.000	8.000
C	0.865	0.865	1.025	1.235	1.465	1.795	2.165	2.425	2.965	3.615	4.305	5.415	5.415
LBS	0.45	0.40	0.65	0.77	1.19	1.73	2.74	3.60	5.51	8.90	12.61	36.92	17.50

PIPE SIZE	CLASS 6000 – Figure No. 06017												
	1/8	1/4	3/8	1/2	3/4	1	1-1/4	1-1/2	2	2-1/2	3	3-1/2	4
A	1.375	1.625	1.813	2.25	2.563	3.063	3.438	4.063	4.875	5.688	6.875	---	---
B	1.625	1.750	2.000	2.313	2.500	2.813	3.000	3.438	4.000	4.375	8.000	---	---
C	0.865	1.025	1.235	1.465	1.795	2.165	2.425	2.965	3.615	4.305	5.415	---	---
LBS	0.48	0.56	0.75	1.35	2.01	3.17	3.92	6.60	10.12	14.00	41.16	---	---

PIPE SIZE	CLASS 9000 – Figure No. 09017												
	1/8	1/4	3/8	1/2	3/4	1	1-1/4	1-1/2	2	2-1/2	3	3-1/2	4
A	1.625	1.813	2.25	2.563	3.063	3.438	4.063	4.875	5.688	6.875	---	---	---
B	2.500	2.563	3.000	3.156	3.625	4.000	4.500	4.875	6.000	6.313	---	---	---
C	1.000	1.250	1.500	1.750	2.250	2.500	3.000	3.625	4.250	5.000	---	---	---
LBS	1.18	1.67	1.95	3.12	5.61	8.08	13.23	18.34	28.21	45.86	---	---	---