



## Dixon - Norgren Cross Reference

Filters	
Dixon	Norgren
F07-100A	F07-100-A1TA
F07-100M	F07-100-M1TA
F07-200A	F07-200-A1TA
F07-200M	F07-200-M1TA
F17-600A	F17-600-A3DA
F17-600M	F17-600-M3DA
F17-800A	F17-800-A3DA
F17-800M	F17-800-M3DA
F17-A00A	F17-A00-A3DA
F17-A00M	F17-A00-M3DA
F17-B00A	F17-B00-A3DA
F17-B00M	F17-B00-M3DA
F18-C00A	F18-C00-A3DA
F18-C00M	F18-C00-M3DA
F72G-2A	F72G2ANST3
F72G-2A-MB	F72G2ANSD3
F72G-2M	F72G2ANQT3
F72G-2M-MB	F72G2ANQD3
F72G-3A	F72G3ANST3
F72G-3A-MB	F72G3ANSD3
F72G-3M	F72G3ANQT3
F72G-3M-MB	F72G3ANQD3
F73G-2A	F73G2ANAT3
F73G-2A-MB	F73G2ANAD3
F73G-2M	F73G2ANQT3
F73G-2M-MB	F73G2ANQD3
F73G-3A	F73G3ANAT3
F73G-3A-MB	F73G3ANAD3
F73G-3M	F73G3ANQT3
F73G-3M-MB	F73G3ANQD3
F73G-4A	F73G4ANAT3
F73G-4A-MB	F73G4ANAD3
F73G-4M	F73G4ANQT3
F73G-4M-MB	F73G4ANQD3
F74C-3A-MB	F74C-3AD-AD0
F74C-4A-MB	F74C-4AD-AD0
F74G-3A	F74G-3AN-AP3
F74G-3A-MB	F74G-3AN-AD3
F74G-3M	F74G-3AN-QP3
F74G-3M-MB	F74G-3AN-QD3
F74G-4A	F74G-4AN-AP3
F74G-4A-MB	F74G-4AN-AD3
F74G-4M	F74G-4AN-QP3
F74G-4M-MB	F74G-4AN-QD3
F74G-6A	F74G-6AN-AP3
F74G-6A-MB	F74G-6AN-AD3
F74G-6M	F74G-6AN-QP3
F74G-6M-MB	F74G-6AN-QD3
F74H-4A-MB	F74H-4AD-AD0
F74H-6A-MB	F74H-6AD-AD0
F74V-3A-MB	F74V-3AN-EMA
F74V-4A-MB	F74V-4AN-EMA
F74V-6A-MB	F74V-6AN-EMA

Regulators	
Dixon	Norgren
R07-100R	R07-100-RNKA
R07-100RG	R07-100-RGKA
R07-200R	R07-200-RNKA
R07-200RG	R07-200-RGKA
R11-013RG	11-002-013
R11-037RG	11-002-037
R11-061RG	11-002-061
R17-600R	R17-600-RNLA
R17-600RG	R17-600-RGLA
R17-800R	R17-800-RNLA
R17-800RG	R17-800-RGLA
R17-A00R	R17-A00-RNLA
R17-A00RG	R17-A00-RGLA
R17-B00R	R17-B00-RNLA
R17-B00RG	R17-B00-RGLA
R18-C05R	R18-C05-RNLA
R18-C05RG	R18-C05-RGLA
R43-201RG	R43-201-NGLA
R43-301RG	R43-301-NGLA
R43-406RG	R43-406-NGLA
R72G-2R	R72G-2AK-RMN
R72G-2RG	R72G-2AK-RMG
R72G-3R	R72G-3AK-RMN
R72G-3RG	R72G-3AK-RMG
R72M-2RG	R72M-2AK-RMG
R72M-3RG	R72M-3AK-RMG
R72M-2R	R72M-2AK-RMN
R72M-3R	R72M-3AK-RMN
R73G-2R	R73G-2AK-RMN
R73G-2RG	R73G-2AK-RMG
R73G-3R	R73G-3AK-RMN
R73G-3RG	R73G-3AK-RMG
R73G-4R	R73G-4AK-RMN
R73G-4RG	R73G-4AK-RMG
R74G-3R	R74G-3AK-RMN
R74G-3RG	R74G-3AK-RMG
R74G-4R	R74G-4AK-RMN
R74G-4RG	R74G-4AK-RMG
R74G-6R	R74G-6AK-RMN
R74G-6RG	R74G-6AK-RMG
R83-200R	R83-200-RNLA
R91-221RG	R91W-2AK-NGLN

Filter / Regulators	
Dixon	Norgren
B07-102AG	B07-102-A1KA
B07-102MG	B07-102-M1KA
B07-202AG	B07-202-A1KA
B07-202MG	B07-202-M1KA
B72G-2AG	B72G-2AK-ST3-RMG
B72G-2AG-MB	B72G-2AK-SD3-RMG
B72G-2MG	B72G-2AK-QT3-RMG
B72G-2MG-MB	B72G-2AK-QD3-RMG
B72G-3AG	B72G-3AK-ST3-RMG
B72G-3AG-MB	B72G-3AK-SD3-RMG
B72G-3MG	B72G-3AK-QT3-RMG
B72G-3MG-MB	B72G-3AK-QD3-RMG
B73G-2AG	B73G-2AK-AT3-RMG
B73G-2AG-MB	B73G-2AK-AD3-RMG
B73G-2MG	B73G-2AK-QT3-RMG
B73G-2MG-MB	B73G-2AK-QD3-RMG
B73G-3AG	B73G-3AK-AT3-RMG
B73G-3AG-MB	B73G-3AK-AD3-RMG
B73G-3MG	B73G-3AK-QT3-RMG
B73G-3MG-MB	B73G-3AK-QD3-RMG
B73G-4AG	B73G-4AK-AT3-RMG
B73G-4AG-MB	B73G-4AK-AD3-RMG
B73G-4MG	B73G-4AK-QT3-RMG
B73G-4MG-MB	B73G-4AK-QD3-RMG
B74G-3AG	B74G-3AK-AP3-RMG
B74G-3AG-MB	B74G-3AK-AD3-RMG
B74G-3MG	B74G-3AK-QP3-RMG
B74G-3MG-MB	B74G-3AK-QD3-RMG
B74G-4AG	B74G-4AK-AP3-RMG
B74G-4AG-MB	B74G-4AK-AD3-RMG
B74G-4MG	B74G-4AK-QP3-RMG
B74G-4MG-MB	B74G-4AK-QD3-RMG
B74G-6AG	B74G-6AK-AP3-RMG
B74G-6AG-MB	B74G-6AK-AD3-RMG
B74G-6MG	B74G-6AK-QP3-RMG
B74G-6MG-MB	B74G-6AK-QD3-RMG

**SCFM ratings are at 100 PSI  
inlet pressure  
Line art measurements given  
in inches (mm).  
FRL's are designed for air service  
only, unless otherwise indicated.**



Dixon Customer Service



Facebook Page



YouTube Videos

## Dixon - Norgren Cross Reference

Lubricators - Micro-Fog	
Dixon	Norgren
L07-100A	L07-100-MPAA
L07-200A	L07-200-MPAA
L17-600A	L17-600-MPDA
L17-800A	L17-800-MPDA
L17-A00A	L17-A00-MPDA
L17-B00A	L17-B00-MPDA
L17-600APX	L17-600MP-DA8N
L17-800APX	L17-800MP-A8N
L72M-2	L72M2AP-QTN
L72M-2MB	L72M2AP-QDN
L72M-3	L72M3AP-QTN
L72M-3MB	L72M3AP-QDN
L73M-2	L73M2APQTN
L73M-2MB	L73M2APQDN
L73M-3	L73M3APQTN
L73M-3MB	L73M3APQDN
L73M-4	L73M4APQTN
L73M-4MB	L73M4APQDN
L73M-2MBPX	L73M-2AP-DRP
L73M-3MBPX	L73M-3AP-DRP
L73M-4MBPX	L73M-4AP-DRP
L74M-3	L74M-3AP-QPN
L74M-3MB	L74M-3AP-QDN
L74M-4	L74M-4AP-QPN
L74M-4MB	L74M-4AP-QDN
L74M-6	L74M-6AP-QPN
L74M-6MB	L74M-6AP-QDN
L74M-3MBPX	L74M-3AP-DRP
L74M-4MBPX	L74M-4AP-DRP
L74M-6MBPX	L74M-6AP-DRP

Lubricators - Oil-Fog	
Dixon	Norgren
L17-600D	L17-600-OPDA
L17-800D	L17-800-OPDA
L17-A00D	L17-A00-OPDA
L17-B00D	L17-B00-OPDA
L72C-2	L72C-2AP-QTN
L72C-2MB	L72C-2AP-QDN
L72C-3	L72C-3AP-QTN
L72C-3MB	L72C-3AP-QDN
L73C-2	L73C-2AP-QTN
L73C-2MB	L73C-2AP-QDN
L73C-3	L73C-3AP-QTN
L73C-3MB	L73C-3AP-QDN
L73C-4	L73C-4AP-QTN
L73C-4MB	L73C-4AP-QDN
L74C-3	L74C-3AP-QPN
L74C-3MB	L74C-3AP-QDN
L74C-4	L74C-4AP-QPN
L74C-4MB	L74C-4AP-QDN
L74C-6	L74C-6AP-QPN
L74C-6MB	L74C-6AP-QDN

Combination Units	
Dixon	Norgren
E72-2A	C72A-2AK-ST3-RMG-QTB
E72-2A-MB	C72A-2AK-SD3-RMG-QDB
E72-2M	C72A-2AK-QT3-RMG-QTB
E72-2M-MB	C72A-2AK-QD3-RMG-QDB
E72-3A	C72A-3AK-ST3-RMG-QTB
E72-3A-MB	C72A-3AK-SD3-RMG-QDB
E72-3M	C72A-3AK-QT3-RMG-QTB
E72-3M-MB	C72A-3AK-QD3-RMG-QDB
E73-2A	C73A-2AK-AT3-RMG-QTB
E73-2A-MB	C73A-2AK-AD3-RMG-QDB
E73-2M	C73A-2AK-QT3-RMG-QTB
E73-2M-MB	C73A-2AK-QD3-RMG-QDB
E73-3A	C73A-3AK-AT3-RMG-QTB
E73-3A-MB	C73A-3AK-AD3-RMG-QDB
E73-3M	C73A-3AK-QT3-RMG-QTB
E73-3M-MB	C73A-3AK-QD3-RMG-QDB
E73-4A	C73A-4AK-AT3-RMG-QTB
E73-4A-MB	C73A-4AK-AD3-RMG-QDB
E73-4M	C73A-4AK-QT3-RMG-QTB
E73-4M-MB	C73A-4AK-QD3-RMG-QDB
E74-3A	C74A-3AK-AT3-RMG-QPB
E74-3A-MB	C74A-3AK-AD3-RMG-QDB
E74-3M	C74A-3AK-QT3-RMG-QPB
E74-3M-MB	C74A-3AK-QD3-RMG-QDB
E74-4A	C74A-4AK-AT3-RMG-QPB
E74-4A-MB	C74A-4AK-AD3-RMG-QDB
E74-4M	C74A-4AK-QT3-RMG-QPB
E74-4M-MB	C74A-4AK-QD3-RMG-QDB
E74-6A	C74A-6AK-AT3-RMG-QPB
E74-6A-MB	C74A-6AK-AD3-RMG-QDB
E74-6M	C74A-6AK-QT3-RMG-QPB
E74-6M-MB	C74A-6AK-QD3-RMG-QDB
P1A-100A	P1A-100-A1AA
P1A-100M	P1A-100-M1AA
P1A-200A	P1A-200-A1AA
P1A-200M	P1A-200-M1AA
P8A-660A	P8A-660-A3DA
P8A-660M	P8A-660-M3DA
P8A-860A	P8A-860-A3DA
P8A-860M	P8A-860-M3DA
PTH-100AG	PTH-100-A1AA
PTH-200AG	PTH-200-A1AA

Dryers	
Dixon	Norgren
W74D-2A-MB32	W74D-2AD-NMN
W74D-2A-MB7	W74D-2AN-NPN



## Safety Statement

Dixon's couplings and retention devices are designed to work safely for their intended use. The selection of the proper hose, coupling and retention device, and the proper application of the coupling to the hose are of utmost importance.

Users must consider the size, temperature, application, media, pressure and hose and coupling manufacturer's recommendations when selecting the proper hose assembly components. Dixon recommends that all hose assemblies be tested in accordance with the Association for Rubber Products Manufacturer's (ARPM) recommendations and be inspected regularly (before each use) to ensure that they are not damaged or have become loose. Visit [ARPMINC.com](http://ARPMINC.com) for more information.

Where safety devices are integral to the coupling, they must be working and utilized. The use of supplementary safety devices such as safety clips or safety cables are recommended.

If any problem is detected, couplings must be removed from service immediately.

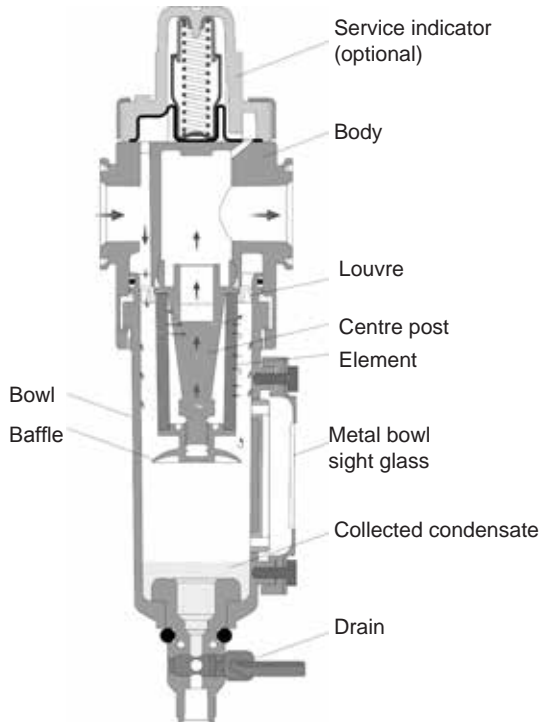
Dixon is available to consult, train and recommend the proper selection and application of all fittings we sell. We strongly recommend that distributors and end users make use of Dixon's testing and recommendation services. Call 877.963.4966 or visit [dixonvalve.com](http://dixonvalve.com) learn more.

## Filters

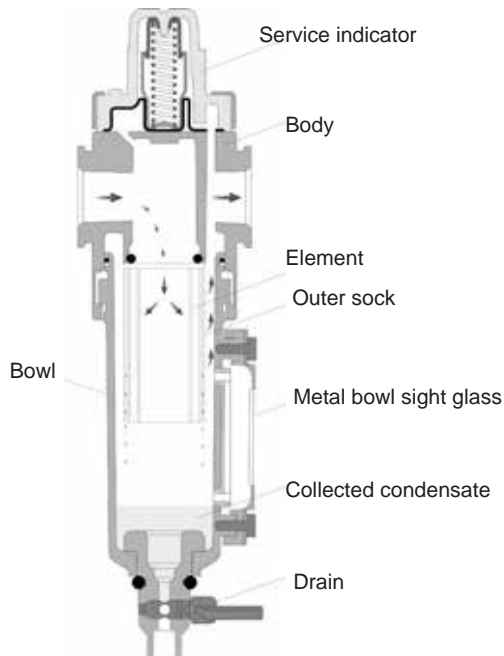
### General Overview

Three main types of filters exist: The *general purpose filter* for water and particles, the *coalescing oil removal filter* for oil aerosols and the *activated carbon filter* for the removal of oil vapors. The general purpose filter is used for most filter applications and is available from 1/8" to 2" pipe sizes. Uses are main headers, branch lines, tools, cylinders, valves and valve circuits, air agitators etc. Oil removal filters are used where very clean, oil-free air is required, such as for the supply to instrumentation, air gauging equipment and air bearings. Activated carbon filters are used for systems where the oil vapors in the air are not acceptable; such as instrumentation and paint spraying.

#### General Purpose Filter



#### Coalescing Filter



#### How Do General Purpose Filters Work?

The dirt and moisture-laden air enters the inlet port and is directed into the louvres which centrifugally separate the entrapped liquids and dirt which fall to the bottom of the bowl. Near the bottom of the bowl a baffle creates a quiet zone, preventing the turbulent air re-entrapping the contaminants. The air, now free of water droplets and large dirt particles, passes through the filter element which removes small dirt particles.

#### How Do Oil Removal Filters Work?

The fine oil mist is coalesced (merged) as it passes through the fine fibrous filtration media. These oil droplets are collected in the outer sock and then drop from the element to the bottom of the bowl for easy removal.

Where a coalescing filter is being used for oil removal, the element quickly becomes saturated which is clearly visible on the outer sock. This is the normal operating condition for oil removal.

#### How do Vapor Removal Filters Work?

Carbon filters are used to remove oil vapors (odors). The activated carbon has a porous structure which results in a large surface area. The oil vapors are attracted and adhere to this surface. There is usually a small sintered medium included in an activated carbon element to prevent the carbon particles from migrating downstream. The carbon filter reduces the maximum oil content of air leaving the filter to 0.003 ppm at 70°F, for example to ISO 8573 class 1.7.1.

#### Why use a Pre-Filter?

A pre-filter is simply a general purpose filter placed upstream of a higher grade filter to remove the majority of the water and larger particle contaminants and thus lengthen the life of the higher grade filter element. A 5 micron pre-filter should always be used ahead of an oil or vapor removal filter.

## Simple Filter Troubleshooting

Malfunction	Possible Cause	Remedy
<b>Excessive pressure drop</b>	Micron rating of element too small	Use larger micron element size for application.
	Filter element blocked	1. Clean element (not coalescing element). 2. Replace with new element.
	Flow requirement greater than filter capacity.	Use larger filter
<b>Dirt passing through filter</b>	Element seals missing or defective (N.B. seals not required on some units).	1. Replace seal 2. Tighten element
	Damaged element	Replace element
<b>Water passing through filter</b>	Water level in bowl above baffle	Drain water
	Flow capacity of filter exceeded	Maintain flow within capacity of filter or change to filter capable of handling desired flows.
<b>Crazing of Polycarbonate bowl or milky appearance</b>	Bowl has been cleaned with incompatible fluid	Replace bowl (Clean only with clean warm water and soap.)
	Bowl is being used in an area containing fumes or vapors incompatible with polycarbonate.	Replace bowl Eliminate source of problem or convert from plastic to metal bowls.
	Compressor oil vapor may be causing problem	Replace bowl Eliminate source of problem or convert from plastic to metal bowls.
<b>Water beyond the filter</b>	Air intake to compressor may contain fumes or vapor incompatible with polycarbonate.	Replace bowl Eliminate source of problem or convert from plastic to metal bowls.
	Inlet air has a high temperature and as it cools downstream, moisture condenses to water.	Fit dryer, pre-cool air or fit filter immediately prior to application.

## Regulators General Overview

Regulators ideally provide a constant outlet pressure independent of variations in inlet pressure or flow.

Regulators are typically used to:

- reduce pressure to the level required for downstream equipment
- limit the force of cylinders
- minimize pressure variation at the point of use

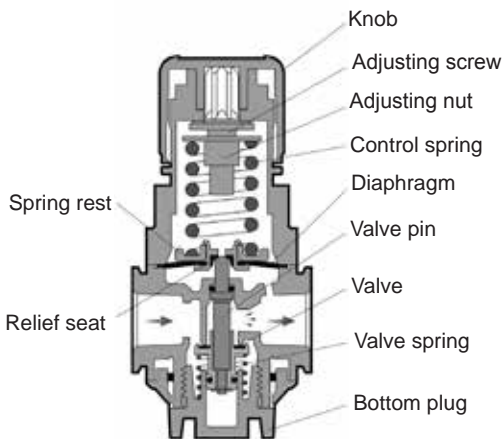
The range of different regulators and options within each type are wide and varied, but each can broadly be put into one of 3 categories.

- general purpose regulators
- pilot operated regulators
- application specific regulators

### General Purpose Regulators

General purpose regulators are designed to give the maximum flow capacity (for their size) while maintaining, to a reasonable accuracy, the outlet pressure to the set level. They are used to control pressures in compressed air line installations to different parts of machines or to pneumatic tools and motors. General purpose regulators are available in relieving or non-relieving types. Relieving regulators can be adjusted from a high pressure to a low pressure. Even in a dead end situation relieving regulators will allow the excess downstream pressure to be exhausted. This causes a loud hissing sound which is perfectly normal. Non-relieving regulators when similarly adjusted will not allow the downstream pressure to escape. The trapped air will need to be released in some other way, for example by operating a downstream valve. General purpose regulators have a control spring which acts on a diaphragm to regulate the air pressure. The rating of this control spring determines the adjustment range of the regulator. The outlet pressure setting is obtained by turning the knob (or T handle) clockwise to increase pressure, counter clockwise to decrease pressure.

### General Purpose Regulator



## Simple Regulator Troubleshooting

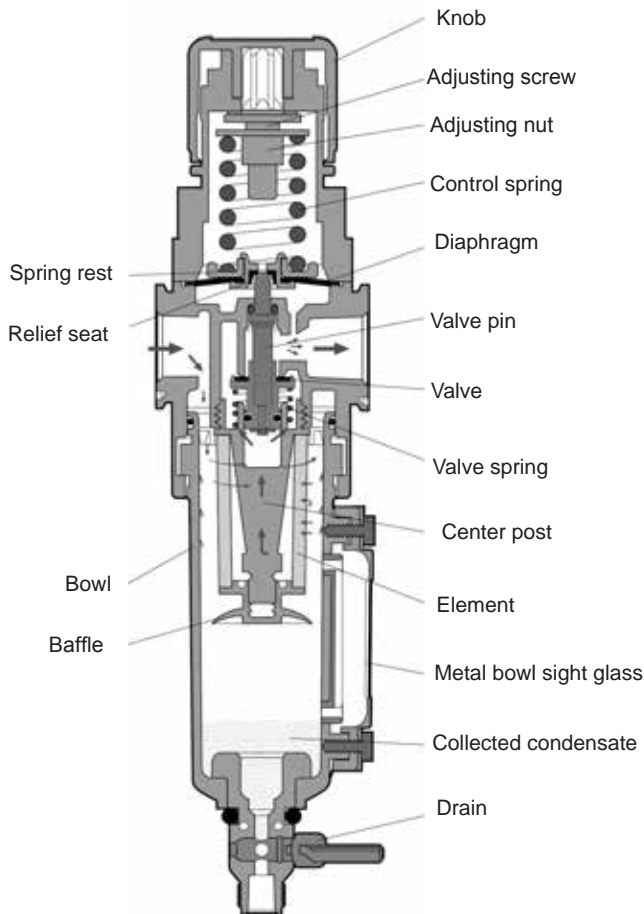
Problem	Problem Cause	Remedy
<b>Regulator creep (increase in secondary pressure due to leak from primary)</b>	Dirty or cut valve elastomers. Nick in valve seat.	Replace or clean valve. If body or valve seat is damaged it can be replaced on some models. On others replacement of complete regulator is required.
<b>Won't relieve secondary pressure</b>	Non-relieving diaphragm assembly.	If this feature is required, replace with relieving type diaphragm assembly.
<b>Won't reach desired pressure</b>	Regulating spring with low spring rate.	Use regulating spring with spring rate designed to cover desired range.
<b>Excessive leak from relief hole</b>	Damaged relief seat. Ruptured diaphragm.	Replace diaphragm assembly
	Leakage past valve causing secondary to increase somewhat and open relief seat.	Replace or clean valve
<b>Regulator chatter</b>	A resonant condition is generally only encountered under a certain set of conditions of flow and pressure and then only in some applications in which regulator couples with other system components.	Replace spring with a higher pressure range spring. Replace with a piston type regulator since they have less tendency to chatter.
<b>Regulator difficult to adjust</b>	Adjusting screw or knob locking device in locked position.	Pull to unlock knob and adjust; push knob to lock.
	Contaminants in adjusting screw threads.	Threaded adjusting screws: loosen lock nut, remove adjusting screw, clean thread and lubricate. Place some lubricant on tip of screw.

## Filter/Regulator General Overview

Filter/regulators combine the features of a filter and regulator with a single compact body. Air passes through the filter section first removing water and particle contaminants, and is then regulated by the top regulator section.

See individual filter and regulator sections for details.

### General Purpose Filter/Regulator



#### Performance Characteristics

The regulator section of the filter/regulator determines the flow and regulation characteristics of the unit.

Flow is therefore measured in terms of pressure drop from set pressure (see regulators) and not flow versus pressure drop as in a filter.

Regulation characteristics are determined in the same way as regulators.



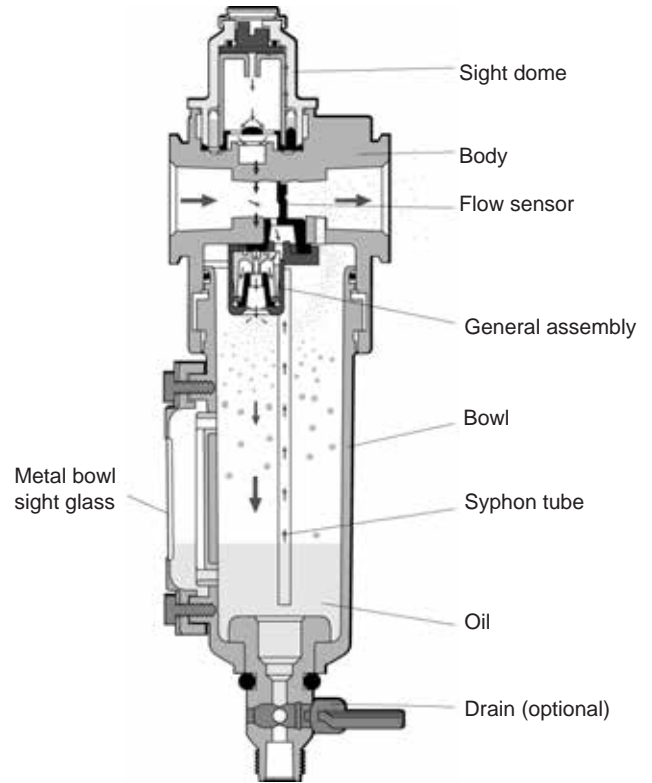
# Lubricator General Overview

Dixon offers two main types of lubricators: Micro-Fog and Oil-Fog. These units are mounted directly into the pipe and add small amounts of oil to the air flowing through them.

## Micro-Fog Lubricators

The oil droplets seen in the sight dome are atomized and collected in the area above the oil in the bowl. The smaller lighter particles are drawn into the air flow and pass downstream. As a result typically only 10% of the oil seen as drops in the sight dome is passed downstream. The remainder falls back into the oil reservoir. Consequently, drip rate settings are somewhat higher than their oil-fog equivalent. This makes setting much easier, particularly in low flow applications. The fine micro-fog oil particles can travel long distances through complex pipe work making micro-fog lubricators suitable for multiple valve and cylinder circuits.

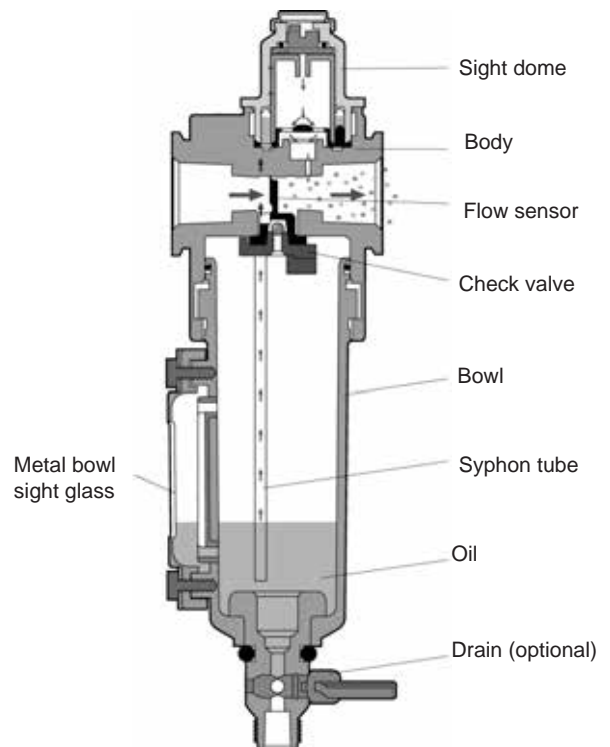
## Micro-Fog Lubricator



## Oil-Fog Lubricator

## Oil Fog-Lubricators

All the oil droplets seen in the sight dome are added directly into the air flow. This results in relatively large oil droplets passing downstream, suitable for heavy lubrication applications, for example single cylinders and tools. Most competitive in line lubricators are of the oil-fog type.



## What Are The Differences Between Micro-Fog and Oil-Fog?

### Micro-Fog:

- Small oil particles; less than 2 micron
- Only 10% of 'drip rate' is delivered downstream as active lubricant (remainder is returned to main oil reservoir)
- High drip rates make drip setting easier in low flow applications
- Can be mounted above or below the point of application
- Cannot be filled without shutting off upstream air (unless a quick fill cap or remote fill device is used)
- For use with lengthy air lines, multiple valve and cylinder circuits
- Has a flow sensor to provide an almost constant oil output density for varying flows

### Oil-Fog:

- Large oil particles not as fine as micro-fog
- All oil drips seen in sight domes are delivered downstream.
- For applications over short distances
- Should be mounted at same level or higher than device being lubricated
- Standard bowls can be filled under pressure (not on rapid cycle units)
- Suitable for heavy lubrication applications, for example single large cylinders and tools
- Has a flow sensor which provides constant oil output density for varying flows

### Can Oil-Fog and Micro-Fog Units be Converted?

Generally not, simply changing a green (oil-fog) sight dome for a red (micro-fog) sight dome does not change the function. Some lubricators are designed around a cartridge insert. In this case it may be possible to swap the cartridge and sight domes to change the function.

## Setting Lubricator Drip Rates

### What is the Correct Drip Rate Setting?

The drip rate will depend on the application, the amount of lubrication required, the flow through the lubricator and the lubricator type. In micro-fog lubricators only 10% of the droplets in the sight dome are carried downstream. The drip rate in micro-fog lubricators therefore tends to be much higher. The following table can be used to estimate drip rate for required flow. This is very much a rule of thumb. In practice it is necessary to fine tune the oil drip rate in each application.

Typical Drip Rate per minute micro-fog	Typical Drip Rate per minute oil-fog	Approximate flow scfm (dm <sup>3</sup> /s)
20	2	10 (5)
40	4	20 (10)
60	6	30 (15)
80	8	40 (20)
100	10	50 (25)
120	12	60 (30)

### Can the Drip Rate be Shut Off?

In lubricators with needle valve type sight dome, yes. Some Norgren sight domes use a felt pad which is soaked in oil at the point where the drops are formed. With this type of sight dome the oil droplets cease once the felt pad dries out. With the new style dome (L72/73/74 and L07) complete shut off is not possible. Minimum adjustment for the drip rate is around 1 drop per minute.

## Filling Methods

### Micro-Fog

The standard micro-fog unit can only be filled without isolating the upstream pressure if a remote fill or quick fill nipple accessory is fitted. To remove the fill plug of a micro-fog lubricator while under pressure can be dangerous. If in doubt shut off the upstream air!

### Oil-Fog

The standard oil-fog lubricators can be filled under pressure, for example without switching off the upstream air. When a fill plug is removed a check valve in the lubricator body isolates the inlet pressure from the bowl and the reservoir will depressurize. The lubricator can then be filled with oil. When the fill plug is replaced, the reservoir will repressurize.

## Simple Lubricator Troubleshooting

Problem	Problem Cause	Remedy
<b>No Drip Rate</b>	Oil adjustment knob fully clockwise	Readjust knob.
	Low oil level	Check oil level.
	Airflow through lubricator too low	Use smaller size lubricator.
		Remove bowl and sight feed adjustment dome and clear syphon tube.
	Blocked oil filter screen	Remove sight feed adjustment dome and clean or replace screen located in dome assembly.
	Air leaks	Check bowl, filler plug and sight dome seals. Tighten if necessary.
<b>Oil Foaming</b>	Over aeration	Check bowl seals for slight leaks.
<b>Oil Emulsified</b>	Water in lubricator	Fit filter immediately upstream.
<b>Drip Rate changes after setting</b>	Fade	Readjust drip rate.

## Avoid Lubricator Problems

### Use an Approved Air Tool Oil

Use any petroleum-base, non-detergent light weight oil (SAE 10/150SSU) which will readily break up into a mist, i.e., Mobil DTE light or comparable oil. Do not use any synthetic oil or oils containing additives or solvents.

Dixon offers a specially formulated high grade lubricant that prolongs the service life of air tools, cylinders and accessories while permitting maximum performance. It is available in one pint (**DATL016**), and one gallon (**DATL128**) size containers. See the current Dixon Price List for more information.



1 pint



1 gallon

Dixon offers the Series 1 line of Miniature Filters, Filter/Regulators, Regulators and Lubricators in prepackaged clear plastic units suitable for hanging on store peg racks or displays. The primary features of each unit are printed on the packaging. Each package contains 1 Miniature Filter, Filter/Regulator, Regulator or Lubricator and instruction sheet.

### Series 1 Carded Mini Filters



- 1 oz. reservoir
- Transparent bowls
- 5-micron element standard
- Inlet pressure **150 PSI** maximum @ ambient temperature (70°F)

Size	SCFM	Automatic Drain Part #	Manual Drain Part #
¼"	24	<b>F07-200AC</b>	<b>F07-200MC</b>

### Series 1 Carded Mini Regulators



- Relieving type
- Adjustable **5-100 PSIG**
- Inlet pressure **250 PSI** maximum @ ambient temperature (70°F)
- Supplied with a GC620 gauge

Size	SCFM	With Gauge Part #
¼"	15	<b>R07-200RGC</b>

### Series 1 Carded Mini Filter/Regulators



- 1 oz. reservoir
- **5-100 PSIG** adjustable range
- Relieving type
- Transparent bowl (guard not available)
- 5-micron filter element
- Push to lock adjusting knob
- Supplied with a GC620 gauge

Size	SCFM	Automatic Drain Part #	Manual Drain Part #
¼"	14	<b>B07-202AGC</b>	<b>B07-202MGC</b>

### Series 1 Carded Mini Lubricators

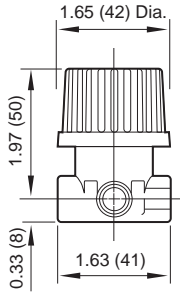


- Transparent bowl
- 1 oz. reservoir with drain standard
- Inlet pressure **150 PSI** maximum @ ambient temperature (70°F)

Size	SCFM	Part #
¼"	14	<b>L07-200AC</b>

SCFM ratings given at 100 PSIG inlet pressure for regulators, 90 PSIG all others

# Miniature Non-Repairable General Purpose Regulators



- Relieving piston design allows reduction of downstream pressure when the system is dead-ended.
- Left to right flow
- Supplied with a GC620 gauge
- 5 to 125 PSIG outlet pressure adjustment range
- Compact design and lightweight construction
- Wrench flats for easy installation

### Compact

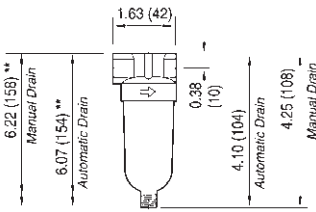
Size	SCFM	With Gauge Part #	Without Gauge Part #
1/4"	13	<b>R46-200RG</b>	<b>R46-200R</b>



## Series 1 Miniature FRL's

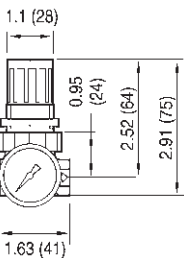
- Transparent bowls
- 5-micron element standard
- **1 oz. reservoir**
- Inlet pressure **150 PSI** maximum @ ambient temperature (70°F)

### Mini Filters



\*\* minimum clearance required to remove bowl

Size	SCFM	Automatic Drain Part #	Manual Drain Part #
1/8"	19	<b>F07-100A</b>	<b>F07-100M</b>
1/4"	24	<b>F07-200A</b>	<b>F07-200M</b>

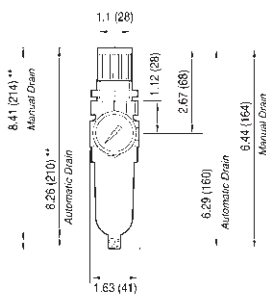


- Relieving type
- Supplied with a GC620 gauge
- **5-100 PSIG** adjustable range
- Inlet pressure **300 PSI** maximum @ ambient temperature (70°F)
- Panel nut not included

### Mini Regulators



Size	SCFM	With Gauge Part #	Without Gauge Part #
1/8"	14	<b>R07-100RG</b>	<b>R07-100R</b>
1/4"	15	<b>R07-200RG</b>	<b>R07-200R</b>



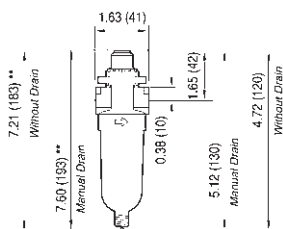
\*\* minimum clearance required to remove bowl

- **5-100 PSIG** adjustable range
- Relieving type diaphragm
- Transparent bowl (guard not available)
- 5-micron filter element
- Push to lock adjusting knob
- **1 oz. reservoir**
- Inlet pressure **150 PSI** maximum @ ambient temperature (70°F)
- Supplied with a GC620 gauge

### Mini Filter/Regulators



Size	SCFM	Automatic Drain Part #	Manual Drain Part #
1/8"	13	<b>B07-102AG</b>	<b>B07-102MG</b>
1/4"	24	<b>B07-202AG</b>	<b>B07-202MG</b>



\*\* minimum clearance required to remove bowl

- Transparent bowl
- **1 oz. reservoir** with drain standard
- Inlet pressure **150 PSI** maximum @ ambient temperature (70°F)

### Mini Lubricators



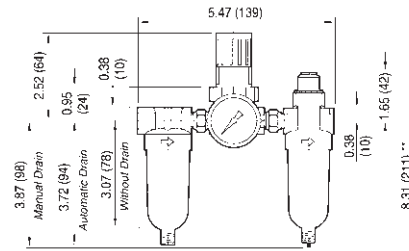
Size	SCFM	Part #
1/8"	10	<b>L07-100A</b>
1/4"	14	<b>L07-200A</b>

SCFM ratings given at 100 PSIG inlet pressure for regulators, 90 PSIG all others

## Series 1 Miniature FRL's



- 5-125 PSIG adjustable range
- 1 oz. reservoir
- Inlet pressure 150 PSI maximum @ ambient temperature (70°F)
- Supplied with a GC620 gauge



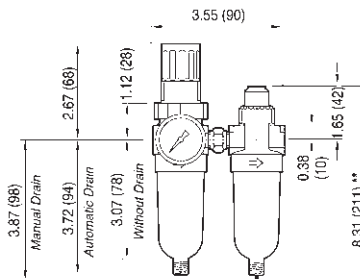
### Miniature Combination Unit with Transparent Bowl

Size	SCFM	Automatic Drain Part #	Manual Drain Part #
1/8"	10	<b>P1A-100A</b>	<b>P1A-100M</b>
1/4"	14	<b>P1A-200A</b>	<b>P1A-200M</b>

## Series 1 Micro Mate Combination Units



- Automatic drain on filter
- Requires only 2 pipe connections.
- 5-125 PSIG adjustable range
- Inlet pressure 150 PSI maximum @ ambient temperature (70°F)



### Miniature Filter/Regulator/Lubricator Unit with Transparent Bowl

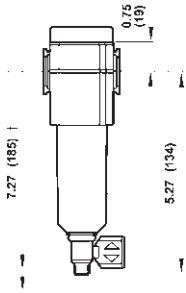
Size	SCFM	Part #
1/8"	10	<b>PTH-100AG</b>
1/4"	14	<b>PTH-200AG</b>

SCFM ratings given at 100 PSIG inlet pressure

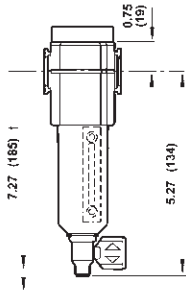
# Series 1 Airline Filters

Dixon FRL's are rugged and long lasting units for compressed air service, or water or gas service *if indicated*. Units may be purchased assembled or individually. Please consult Dixon for special service on these and all hose fittings.

- **2 oz. reservoir**
- Quick-release bayonet bowl
- Prismatic lens liquid level indicator
- 40-Micron element
- Particle removal per ISO 8573-1, Class 5 and Class 3
- Inlet pressure for transparent bowl is **150 PSI @ ambient temperature (70°F)**
- Inlet pressure for metal bowl is **250 PSI maximum @ ambient temperature (70°F)**



† Minimum clearance required to remove bowl.



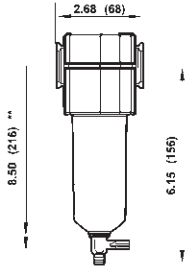
† Minimum clearance required to remove bowl.

### Sub-Compact with Transparent Bowl

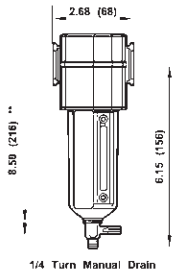
Size	SCFM	Automatic Drain Part #	Manual Drain Part #
1/4"	55	<b>F72G-2A</b>	<b>F72G-2M</b>
3/8"	55	<b>F72G-3A</b>	<b>F72G-3M</b>

### Sub-Compact with Metal Bowl and Sight Glass

Size	SCFM	Semi-automatic Drain Part #	Manual Drain Part #
1/4"	55	<b>F72G-2A-MB</b>	<b>F72G-2M-MB</b>
3/8"	55	<b>F72G-3A-MB</b>	<b>F72G-3M-MB</b>



\*\* Minimum clearance required to remove bowl.



\*\* Minimum clearance required to remove bowl.

- **4 oz. reservoir**
- Quick-release bayonet bowl
- Prismatic lens liquid level indicator
- 40-Micron element
- Particle removal per ISO 8573-1, Class 5 and Class 3
- Inlet pressure for transparent bowl is **150 PSI @ ambient temperature (70°F)**
- Inlet pressure for metal bowl is **250 PSI maximum @ ambient temperature (70°F)**

### Compact with Transparent Bowl

Size	SCFM	Automatic Drain Part #	Manual Drain Part #
1/4"	53	<b>F73G-2A</b>	<b>F73G-2M</b>
3/8"	65	<b>F73G-3A</b>	<b>F73G-3M</b>
1/2"	69	<b>F73G-4A</b>	<b>F73G-4M</b>

### Compact with Metal Bowl and Sight Glass

Size	SCFM	Automatic Drain Part #	Manual Drain Part #
1/4"	53	<b>F73G-2A-MB</b>	<b>F73G-2M-MB</b>
3/8"	65	<b>F73G-3A-MB</b>	<b>F73G-3M-MB</b>
1/2"	69	<b>F73G-4A-MB</b>	<b>F73G-4M-MB</b>

SCFM ratings given at 90 PSIG inlet pressure



## Series 1 Airline Filters

- **7 oz. reservoir**
- Quick-release bayonet bowl
- Prismatic lens liquid level indicator
- 40 micron filter element standard
- Particle removal per ISO 8573-1, Class 5 and Class 3
- Inlet pressure for transparent bowl is **150 PSI @** ambient temperature (70°F)
- Inlet pressure for metal bowl is **250 PSI** maximum @ ambient temperature (70°F)



### Standard with Transparent Bowl and Guard

Size	SCFM	Automatic Drain Part #	Manual Drain Part #
3/8"	112	<b>F74G-3A</b>	<b>F74G-3M</b>
1/2"	140	<b>F74G-4A</b>	<b>F74G-4M</b>
3/4"	140	<b>F74G-6A</b>	<b>F74G-6M</b>

### Standard with Metal Bowl and Sight Glass

Size	SCFM	Automatic Drain Part #	Manual Drain Part #
3/8"	112	<b>F74G-3A-MB</b>	<b>F74G-3M-MB</b>
1/2"	140	<b>F74G-4A-MB</b>	<b>F73G-4M-MB</b>
3/4"	140	<b>F74G-6A-MB</b>	<b>F73G-6M-MB</b>

- **1 qt. reservoir**
- General purpose with low pressure drop and excellent water removal characteristics.
- 40 micron element standard
- Inlet pressure is **250 PSI** maximum @ ambient temperature (70°F)

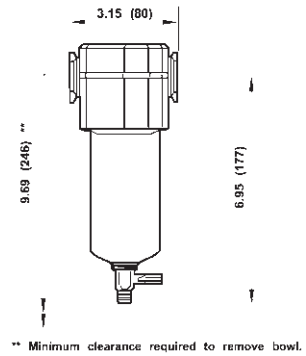
### Jumbo with Metal Bowl and Sight Glass

Size	SCFM	Automatic Drain Part #	Manual Drain Part #
3/4"	325	<b>F17-600A</b>	<b>F17-600M</b>
1"	425	<b>F17-800A</b>	<b>F17-800M</b>
1 1/4"	425	<b>F17-A00A</b>	<b>F17-A00M</b>
1 1/2"	425	<b>F17-B00A</b>	<b>F17-B00M</b>

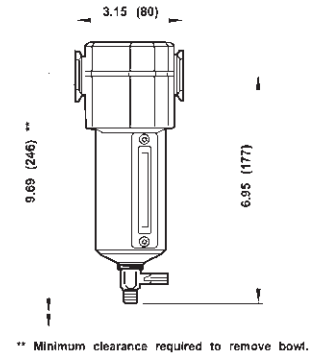
- **7 oz. metal bowl** with sight glass
- 40 micron element standard
- Inlet pressure is **250 PSI** maximum @ ambient temperature (70°F)

### Jumbo with Metal Bowl and Sight Glass

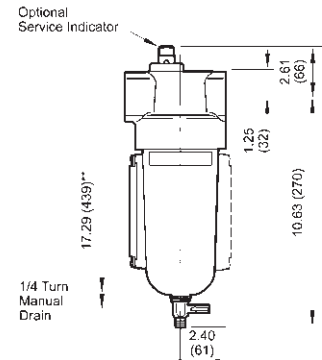
Size	SCFM	Automatic Drain Part #	Manual Drain Part #
2"	1400	<b>F18-C00A</b>	<b>F18-C00M</b>



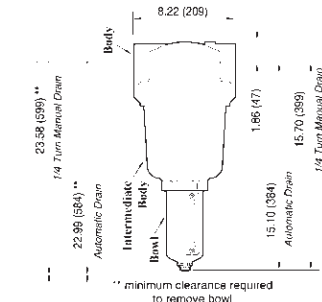
\*\* Minimum clearance required to remove bowl.



\*\* Minimum clearance required to remove bowl.



1/4 Turn Manual Drain



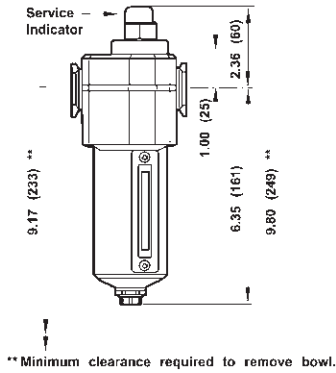
\*\* minimum clearance required to remove bowl

SCFM ratings given at 90 PSIG inlet pressure



## Series 1 Oil Removal (Coalescing) Filters

- In-line or modular installation
- Quick-release bayonet metal bowl
- Prismatic liquid level indicator
- F74C and F74H provide *Air Quality Class 2 Hydrocarbon and Class 1 Particulate Removal* per ISO 8573-1
- Element removes particles down to 0.01mm. Maximum remaining oil content of air leaving the filter is 0.01 ppm at **70°F (21°C)** with an inlet concentration of 8 ppm.
- Service life indicator turns from green to red when element needs to be replaced.
- Inlet pressure: **250 PSI** maximum at ambient temperature (70°F)



### Standard Standard Flow with Metal Bowl

Size	SCFM Saturated Element	SCFM Dry Element	Automatic Drian Part #
3/8"	35	70	<b>F74C-3A-MB</b>
1/2"	35	75	<b>F74C-4A-MB</b>

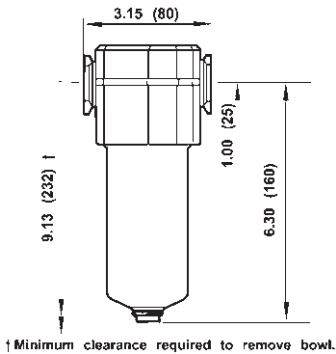
### Standard High Flow with Metal Bowl

Size	SCFM Saturated Element	SCFM Dry Element	Automatic Drian Part #
1/2"	60	100	<b>F74H-4A-MB</b>
3/4"	60	120	<b>F74H-6A-MB</b>



*For maximum service life install a general purpose filter upstream of the oil removal filter.*

## Series 1 Oil Vapor Removal Filters



### Standard with Metal Bowl

Size	SCFM Dry Element	Automatic Drian Part #
3/8"	21	<b>F74V-3A-MB</b>
1/2"	21	<b>F74V-4A-MB</b>
3/4"	21	<b>F74V-6A-MB</b>



- In-line or modular installation
- Quick-release bayonet metal bowl
- Activated carbon cartridge filter element absorbs oil vapors and removes most hydrocarbon odors
- Filter and element designs optimizes air velocity and contact time to reduce oil content of air leaving the filter to 0.003 ppm at **70°F (21°C)**.
- Carbon cartridge element provides long service life.
- Minimum service life of 400 hours can be expected if the vapor removal filter is protected upstream by an oil removal (coalescing) filter and if the filtration temperature is in the region of **70° to 80°F (21° to 26°C)**. Above this range, oil vapor content of compressed air increases substantially and element service life is reduced.
- F74C and F74V combinations provide *Air Quality Class 1 Particulate Removal* per ISO 8573-1, Class 1.-.1
- Inlet pressure: **250 PSI** maximum at ambient temperature (70°F)

SCFM ratings given at 90 PSIG inlet pressure

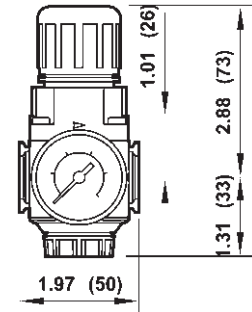
*For maximum service life install a general purpose filter upstream of the oil removal filter.*

# Series 1 Regulators

## Sub-Compact

- Adjustable **5-150 PSI**
- Inlet pressure **300 PSI** maximum @ ambient temperature (70°F)
- Supplied with a GC620 gauge
- In-line or modular installation
- Two 1/8" full-flow gauge ports
- Relieving type

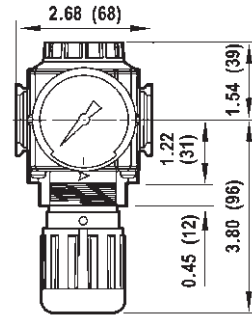
Size	SCFM	With Gauge Part #	Without Gauge Part #
1/4"	70	<b>R72G-2RG</b>	<b>R72G-2R</b>
3/8"	70	<b>R72G-3RG</b>	<b>R72G-3R</b>



## Compact

- Adjustable **5-150 PSI**
- Inlet pressure **300 PSI** maximum @ ambient temperature (70°F)
- Supplied with a GC230 gauge
- In-line or modular installation
- Two 1/4" full-flow gauge ports
- Relieving type

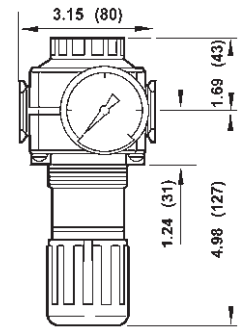
Size	SCFM	With Gauge Part #	Without Gauge Part #
1/4"	91	<b>R73G-2RG</b>	<b>R73G-2R</b>
3/8"	144	<b>R73G-3RG</b>	<b>R73G-3R</b>
1/2"	144	<b>R73G-4RG</b>	<b>R73G-4R</b>



## Standard

- Adjustable **5-150 PSI**
- Inlet pressure **300 PSI** maximum @ ambient temperature (70°F)
- Supplied with a GC230 gauge
- In-line or modular installation
- Two 1/4" full-flow gauge ports
- Relieving type

Size	SCFM	With Gauge Part #	Without Gauge Part #
3/8"	208	<b>R74G-3RG</b>	<b>R74G-3R</b>
1/2"	220	<b>R74G-4RG</b>	<b>R74G-4R</b>
3/4"	220	<b>R74G-6RG</b>	<b>R74G-6R</b>

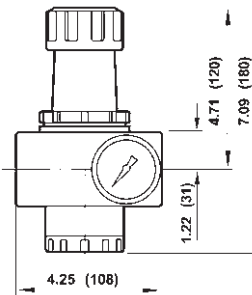


For 0-60 PSI range R72, R73 or R74 unit, add a L to the end of the part number.

## Jumbo

- Adjustable **5-125 PSI**
- Inlet pressure **300 PSI** maximum @ ambient temperature (70°F)
- Supplied with a GC230 gauge
- Two 1/4" high flow capacity full-flow gauge ports
- Relieving type

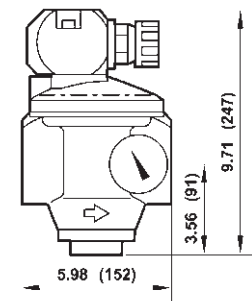
Size	SCFM	With Gauge Part #	Without Gauge Part #
3/4"	440	<b>R17-600RG</b>	<b>R17-600R</b>
1"	480	<b>R17-800RG</b>	<b>R17-800R</b>
1 1/4"	400	<b>R17-A00RG</b>	<b>R17-A00R</b>
1 1/2"	440	<b>R17-B00RG</b>	<b>R17-B00R</b>



## Jumbo

- Adjustable **5-125 PSI**
- Inlet pressure **450 PSI** maximum @ ambient temperature (70°F)
- Supplied with a GC230 gauge
- Two 1/4" high flow capacity full-flow gauge ports
- Relieving type

Size	SCFM	With Gauge Part #	Without Gauge Part #
2"	2000	<b>R18-C05RG</b>	<b>R18-C05R</b>



SCFM ratings given at 150 PSIG inlet pressure for regulators, 2" unit at 100 PSIG

## Series 1 General Regulators

Floating valve pin provides positive seating and dependability. Large diaphragm provides quick response to flow demands and line pressure changes. Balanced valve reduces inlet pressure variations on outlet pressure.

- T-handle adjustment standard
- Adjustable **5-125 PSI**
- Inlet pressure **400 PSI** maximum @ ambient temperature (70°F)
- Supplied with a GC620 gauge

Size	SCFM	With Gauge Part #
¼"	110	<b>R11-013RG</b>
⅜"	110	<b>R11-037RG</b>
½"	260	<b>R11-061RG</b>

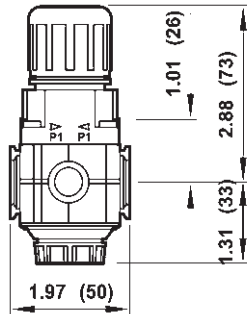


SCFM ratings given at 150 PSIG

## Series 1 Manifold Regulators

Manifold up to six regulators on a single air supply. Design allows in-line installation with hex nipple or modular installation with 72 Series accessories (see pages 33-34).

- Adjustable **5-150 PSI**
- Inlet pressure **300 PSI** maximum @ ambient temperature (70°F)
- Supplied with a GC620 gauge




### Sub-Compact

Size	SCFM	With Gauge Part #	Without Gauge Part #
¼"	83	<b>R72M-2RG</b>	<b>R72M-2R</b>
⅜"	83	<b>R72M-3RG</b>	<b>R72M-3R</b>

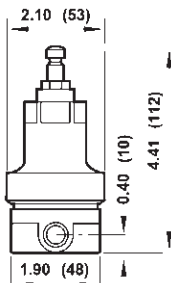


SCFM ratings given at 150 PSIG

## Series 1 Cylinder Gas Regulator

UL listed for service with Carbon Dioxide, water, pumped air, Nitrogen, Argon, Helium, Krypton, Neon and Xenon. *Not to be used with flammable gases.* 

- Relieving type
- Two ports for high pressure and two ports for service.
- Adjustable **5-125 PSI**
- Inlet pressure **3000 PSI** maximum @ ambient temperature (70°F)



Size	SCFM	Without Gauge Part #
¼"	10	<b>R83-200R</b>



SCFM ratings given at 1000 PSIG inlet pressure

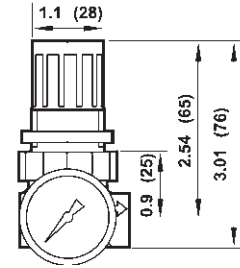
## Series 1 Miniature Water Regulator

Designed for use with deionized water and potable water systems. Plastic and metals in contact with fluid are approved by the National Sanitation Foundation (NSF) or meet Food and Drug Administration (FDA) recommendations for use in potable water systems. Elastomers are food grade.



- Non-relieving type
- Supplied with a GC620 gauge

Size	GPM	With Gauge Part #
¼"	1.75	<b>R91-221RG</b>



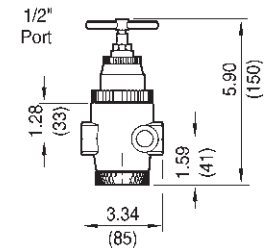
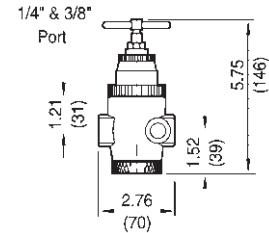
## Series 1 Water Regulators

Used in water systems to reduce and maintain pressure at a nearly constant level despite changes in the inlet pressure and changes in downstream flow requirements. Brass body and Aluminum bonnet.



- T-handle adjustment standard
- Non-relieving type
- Gauge port is full-flow and can be used as an outlet port
- Adjustable **5-125 PSI**
- Inlet pressure **400 PSI** maximum @ ambient temperature (70°F)
- Supplied with a GC230 gauge

Size	GPM	With Gauge Part #
¼"	5	<b>R43-201RG</b>
⅜"	5	<b>R43-301RG</b>
½"	10	<b>R43-406RG</b>



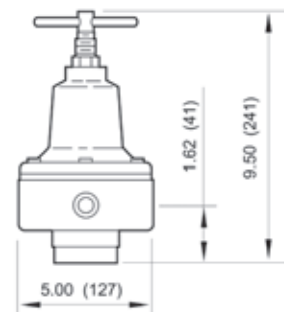
## Series 1 Water Regulators

Balanced valve minimizes effects of the inlet pressure variations on outlet pressure. Body, valve and bottom plug are brass. Bonnet is aluminum and steel. Elastomers are nitrile.



- T-handle adjustment standard
- Non-relieving type
- Inlet pressure: **400 PSI** @ ambient temperature (70°F)
- Operating temperature: water service: **35° to 200°F** (2° to 93°C)  
air service: **-30° to 200°F** (-34° to 93°C)

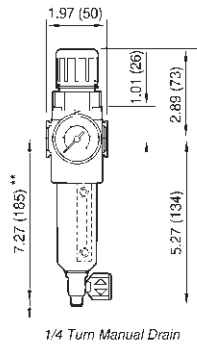
Size	GPM	With Gauge Part #
¾"	27.5	<b>11-009-065</b>
1"	27.5	<b>11-009-081</b>



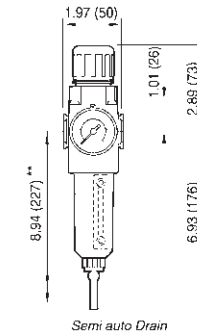
SCFM ratings at 100 PSIG

## Series 1 Filters / Regulators

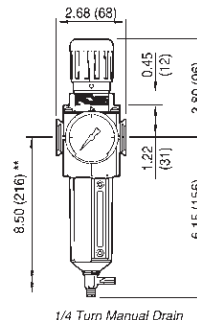
- In-line or modular installation
- Quick-release bayonet bowl
- Prismatic lens liquid level indicator
- 40 micron filter element standard
- Particle removal per ISO 8573-1, Class 5 and Class 2
- **2 oz. reservoir**
- Adjustable pressure from **5-150 PSI**
- Inlet pressure for transparent bowl is **150 PSI @ ambient temperature (70°F)**
- Inlet pressure for metal bowl is **250 PSI @ ambient temperature (70°F)**
- Supplied with a GC620 gauge



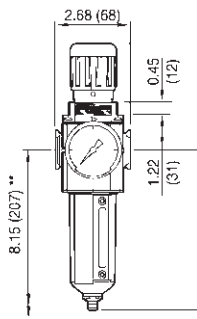
\*\* minimum clearance required to remove bowl



\*\* minimum clearance required to remove bowl



\*\* minimum clearance required to remove bowl



\*\* minimum clearance required to remove bowl

### Sub-Compact with Transparent Bowl

Size	SCFM	Semi-automatic Drain Part #	Manual Drain Part #
1/4"	80	<b>B72G-2AG</b>	<b>B72G-2MG</b>
3/8"	80	<b>B72G-3AG</b>	<b>B72G-3MG</b>

### Sub-Compact with Metal Bowl and Sight Glass

Size	SCFM	Semi-automatic Drain Part #	Manual Drain Part #
1/4"	80	<b>B72G-2AG-MB</b>	<b>B72G-2MG-MB</b>
3/8"	80	<b>B72G-3AG-MB</b>	<b>B72G-3MG-MB</b>



- In-line or modular installation
- Quick-release bayonet bowl
- Prismatic lens liquid level indicator
- 40 micron filter element standard
- Particle removal per ISO 8573-1, Class 5 and Class 2
- **3.5 oz. reservoir**
- Adjustable pressure from **5-150 PSI**
- Inlet pressure for transparent bowl is **150 PSI @ ambient temperature (70°F)**
- Inlet pressure for metal bowl is **250 PSI @ ambient temperature (70°F)**
- Supplied with a GC230 gauge

### Compact with Transparent Bowl

Size	SCFM	Automatic Drain Part #	Manual Drain Part #
1/4"	78	<b>B73G-2AG</b>	<b>B73G-2MG</b>
3/8"	123	<b>B73G-3AG</b>	<b>B73G-3MG</b>
1/2"	123	<b>B73G-4AG</b>	<b>B73G-4MG</b>

### Compact with Metal Bowl and Sight Glass

Size	SCFM	Automatic Drain Part #	Manual Drain Part #
1/4"	78	<b>B73G-2AG-MB</b>	<b>B73G-2MG-MB</b>
3/8"	123	<b>B73G-3AG-MB</b>	<b>B73G-3MG-MB</b>
1/2"	123	<b>B73G-4AG-MB</b>	<b>B73G-4MG-MB</b>



SCFM ratings given at 150 PSIG inlet pressure

## Series 1 Filters / Regulators



- **7 oz. reservoir**
- **5-125 PSIG** adjustable range
- Relieving type diaphragm
- 40 micron filter element
- Non-rising adjustment with easily sealed locking to resist tampering.
- Supplied with a GC230 gauge
- Inlet pressure:
  - Transparent bowl: **150 PSI** at ambient temperature (70°F)
  - Metal bowl: **250 PSI** at ambient temperature

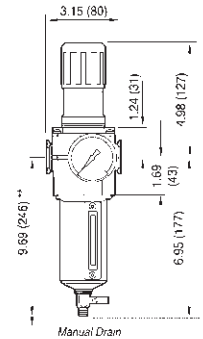
### Standard with Transparent Bowl

Size	SCFM	Automatic Drain Part #	Manual Drain Part #
3/8"	163	<b>B74G-3AG</b>	<b>B74G-3MG</b>
1/2"	212	<b>B74G-4AG</b>	<b>B74G-4MG</b>
3/4"	212	<b>B74G-6AG</b>	<b>B74G-6MG</b>

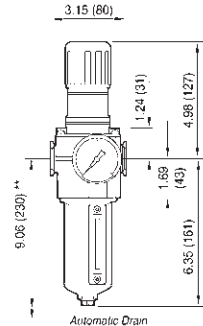
### Standard with Metal Bowl and Sight Glass

Size	SCFM	Automatic Drain Part #	Manual Drain Part #
3/8"	163	<b>B74G-3AG-MB</b>	<b>B74G-3MG-MB</b>
1/2"	212	<b>B74G-4AG-MB</b>	<b>B74G-4MG-MB</b>
3/4"	212	<b>B74G-6AG-MB</b>	<b>B74G-6MG-MB</b>

SCFM ratings given at 150 PSIG inlet pressure



Manual Drain  
\*\* minimum clearance required to remove bowl



Automatic Drain  
\*\* minimum clearance required to remove bowl

## Series 1 Micro-Fog Design Lubricators

- Micro-fog lubricators, identified by a red adjusting screw, are used for applications containing one or more points of lubrication, cylinders and multiple or single tools.
- Air flow through the lubricator lifts oil from the reservoir to the sight-feed dome. Oil is dropped into the fog generator and atomized into a fine mist. Lightweight particles are delivered downstream for lubrication. Heavier particles fall back into the reservoir.
- The micro-fog lubricator delivers 10% of the oil drops visible through the transparent sight-feed dome.
- Micro-fog lubricators *cannot* be filled under pressure.



- **2 oz. reservoir**
- In-line or modular installation
- Micro-fog design delivers aerosol mist
- Quick release bayonet bowl
- Inlet pressure for transparent bowl is **150 PSI**
- Inlet pressure for metal bowl is **250 PSI**
- Maximum temperature for transparent bowl is **125°F**
- Maximum temperature for metal bowl is **175°F**
- Recommended lubricants: Use a misting type oil rated 50 to 200 SSU (ISO Grade 7 to 46) at **100°F**.

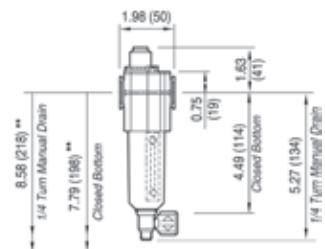
### Sub-Compact with Transparent Bowl

Size	SCFM	Part #
1/4"	51	<b>L72M-2</b>
3/8"	51	<b>L72M-3</b>

### Sub-Compact with Metal Bowl with Sight Glass

Size	SCFM	Part #
1/4"	51	<b>L72M-2MB</b>
3/8"	51	<b>L72M-3MB</b>

SCFM ratings given at 90 PSIG inlet pressure



1/4 Turn Manual Drain  
7.79 (198) \*\*  
Closed Bottom  
4.49 (114)  
Closed Bottom  
1.63 (41)  
5.27 (134)  
1/4 Turn Manual Drain  
\*\* minimum clearance required to remove bowl

## Series 1 Micro-Fog Lubricators

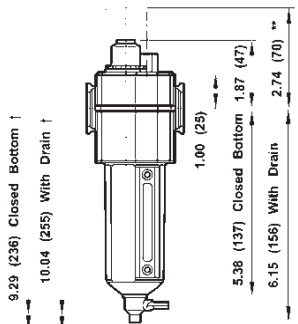
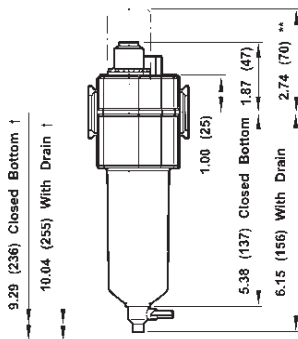
- **4 oz. reservoir**
- In-line or modular installation
- Micro-fog design delivers aerosol mist.
- Quick release bayonet bowl
- Inlet pressure for transparent bowl is **150 PSI**
- Inlet pressure for metal bowl is **250 PSI**
- Maximum temperature for transparent bowl is **125°F**
- Maximum temperature for metal bowl is **175°F**
- Recommended lubricants: Use a misting type oil rated 50 to 200 SSU (ISO Grade 7 to 46) at **100°F**

### Compact with Transparent Bowl

Size	SCFM	Part #
1/4"	70	<b>L73M-2</b>
3/8"	70	<b>L73M-3</b>
1/2"	70	<b>L73M-4</b>

### Compact with Metal Bowl and Sight Glass

Size	SCFM	Part #
1/4"	70	<b>L73M-2MB</b>
3/8"	70	<b>L73M-3MB</b>
1/2"	70	<b>L73M-4MB</b>



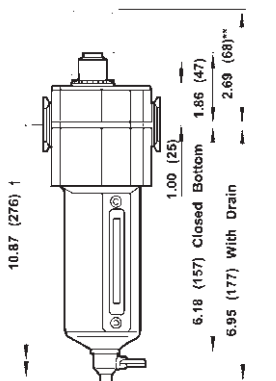
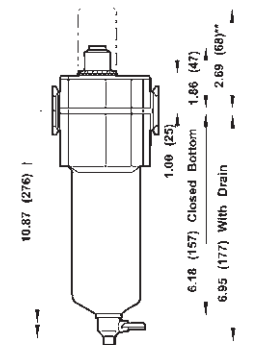
- **7 oz. reservoir**
- In-line or modular installation
- Micro-fog design delivers aerosol mist.
- Quick release bayonet bowl
- Inlet pressure for transparent bowl is **150 PSI**
- Inlet pressure for metal bowl is **250 PSI**
- Maximum temperature for transparent bowl is **125°F**
- Maximum temperature for metal bowl is **175°F**
- Recommended lubricants: Use a misting type oil rated 50 to 200 SSU (ISO Grade 7 to 46) at **100°F**

### Standard with Transparent Bowl

Size	SCFM	Part #
3/8"	114	<b>L74M-3</b>
1/2"	154	<b>L74M-4</b>
3/4"	142	<b>L74M-6</b>

### Standard with Metal Bowl and Sight Glass

Size	SCFM	Part #
3/8"	114	<b>L74M-3MB</b>
1/2"	154	<b>L74M-4MB</b>
3/4"	142	<b>L74M-6MB</b>



\*\* Optional pyrex sight-feed dome.  
† Minimum clearance required to remove bowl.

\*\* Optional pyrex sight-feed dome.  
† Minimum clearance required to remove bowl.

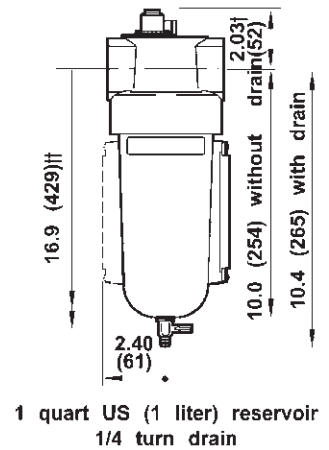
SCFM ratings given at 90 PSIG inlet pressure

## Series 1 Micro-Fog Lubricators

- 1 qt. metal reservoir with drain and oil level sight gauge
- One turn threaded bowl attachment permits easy maintenance
- Inlet pressure **250 PSI** maximum @ ambient temperature (70°F)

### Jumbo with Metal Bowl and Sight Glass

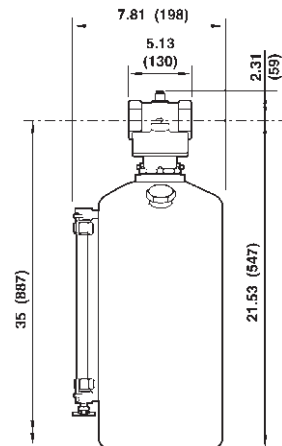
Size	SCFM	Part #
¾"	160	<b>L17-600A</b>
1"	275	<b>L17-800A</b>
1¼"	275	<b>L17-A00A</b>
1½"	275	<b>L17-B00A</b>



- 2 gal. reservoir
- Oil flow can be positively set
- Reservoir is ASME construction
- Inlet pressure **250 PSI** maximum @ ambient temperature (70°F)
- oil level sight gauge

### Jumbo General Purpose (Oil Fog Only)

Size	SCFM	Part #
2"	1000	<b>10-076-004</b>



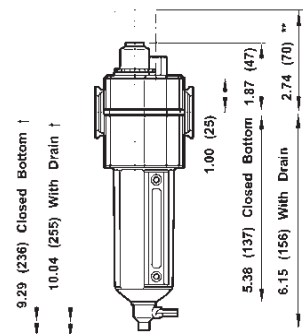
## Series 1 Micro-Fog, Pyrex® Sight Feed Dome Lubricators

- Designed for use with alcohol or other anti-freeze agents when units are installed in cold temperature environments.
- Pyrex® sight feed dome with aluminum case and fluorocarbon O-Rings and seals; Pyrex® sight glass on bowls and metal petcock drain.
- Micro-fog lubricators, identified by a red adjusting screw, are used for applications containing one or more points of lubrication, cylinders and multiple or single tools.
- Air flow through the lubricator lifts oil from the reservoir to the sight-feed dome. Oil is dropped into the fog generator and atomized into a fine mist. Lightweight particles are delivered downstream for lubrication. Heavier particles fall back into the reservoir.
- The micro-fog lubricator delivers 10% of the oil drops visible through the transparent sight-feed dome.
- Micro-fog lubricators *cannot* be filled under pressure.

- 4 oz. reservoir
- In-line or modular installation
- Micro-fog design delivers aerosol mist
- Quick release bayonet bowl
- Inlet pressure for metal bowl is **250 PSI**
- Maximum temperature for metal bowl is **175°F**
- Recommended lubricants: Use a misting type oil rated 50 to 200 SSU (ISO Grade 7 to 46) at **100°F**.

### Compact with Metal Bowl and Sight Glass

Size	SCFM	Part #
¼"	60	<b>L73M-2MBPX</b>
⅜"	60	<b>L73M-3MBPX</b>
½"	60	<b>L73M-4MBPX</b>

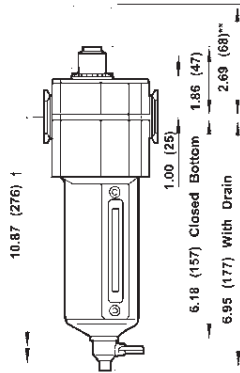


SCFM ratings given at 90 PSIG inlet pressure



# Series 1 Micro-Fog, Pyrex® Sight Feed Dome Lubricators

- **7 oz. reservoir**
- In-line or modular installation
- Micro-fog design delivers aerosol mist
- Quick release bayonet bowl
- Inlet pressure for metal bowl is **250 PSI**
- Maximum temperature for metal bowl is **175°F**
- Recommended lubricants: Use a misting type oil rated 50 to 200 SSU (ISO Grade 7 to 46) at **100°F**.



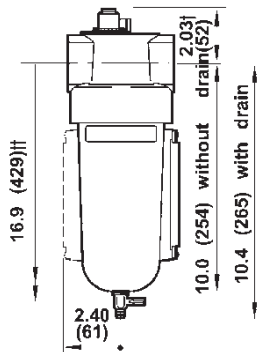
\*\* Optional pyrex sight-feed dome.  
† Minimum clearance required to remove bowl.

### Standard with Metal Bowl and Sight Glass

Size	SCFM	Part #
3/8"	114	<b>L74M-3MBPX</b>
1/2"	154	<b>L74M-4MBPX</b>
3/4"	142	<b>L74M-6MBPX</b>



- **1 qt. metal reservoir** with drain and oil level sight gauge
- Inlet pressure **250 PSI** maximum
- One turn threaded bowl attachment permits easy maintenance



1 quart US (1 liter) reservoir  
1/4 turn drain

### Jumbo with Metal Bowl and Sight Glass

Size	SCFM	Part #
3/4"	160	<b>L17-600APX</b>
1"	275	<b>L17-800APX</b>



SCFM ratings given at 90 PSIG inlet pressure

# Series 1 Oil-Fog Lubricators

- Oil-fog lubricators, identified by a green adjusting screw, are used for lubricating a single air tool or air motor, and are located as near the device as possible.
- All the oil visible dropping through the transparent sight-feed dome goes to the airstream.
- L72C, L73C and L74C OIL-FOG lubricators can be filled under pressure.



- **2 oz. reservoir**
- In-line or modular installation
- Quick release bayonet bowl
- Inlet pressure for transparent bowl is **150 PSI**
- Inlet pressure for metal bowl is **250 PSI**
- Maximum temperature for transparent bowl is **125°F**
- Maximum temperature for metal bowl is **175°F**
- Recommended lubricants: Use a misting type oil rated 50 to 200 SSU (ISO Grade 7 to 46) at **100°F**.

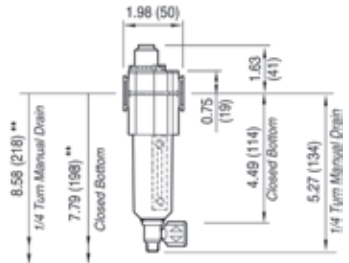
### Sub-Compact with Transparent Bowl

Size	SCFM	Part #
1/4"	51	<b>L72C-2</b>
3/8"	51	<b>L72C-3</b>



### Sub-Compact with Metal Bowl and Sight Glass

Size	SCFM	Part #
1/4"	51	<b>L72C-2MB</b>
3/8"	51	<b>L72C-3MB</b>

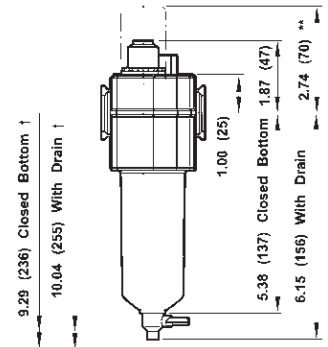


\*\* minimum clearance required to remove bowl

- **4 oz. reservoir**
- In-line or modular installation
- Quick release bayonet bowl
- Inlet pressure for transparent bowl is **150 PSI**
- Inlet pressure for metal bowl is **250 PSI**
- Maximum temperature for transparent bowl is **125°F**
- Maximum temperature for metal bowl is **175°F**
- Recommended lubricators: Use a misting type oil rated 50 to 200 SSU (ISO Grade 7 to 46) at **100°F**.

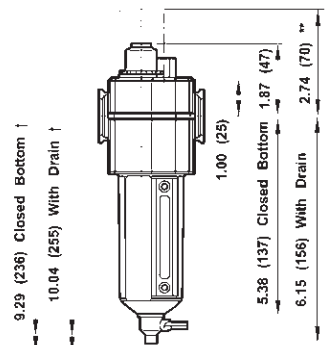
### Compact with Transparent Bowl

Size	SCFM	Part #
1/4"	60	<b>L73C-2</b>
3/8"	60	<b>L73C-3</b>
1/2"	60	<b>L73C-4</b>



### Compact with Metal Bowl with Sight Glass

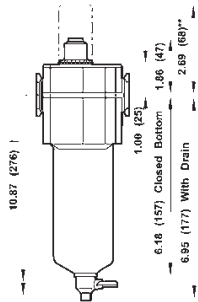
Size	SCFM	Part #
1/4"	60	<b>L73C-2MB</b>
3/8"	60	<b>L73C-3MB</b>
1/2"	60	<b>L73C-4MB</b>



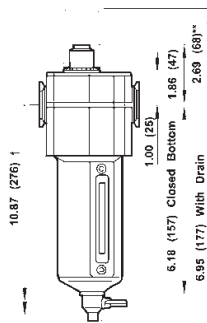
SCFM ratings given at 90 PSIG inlet pressure

## Series 1 Oil-Fog Lubricators

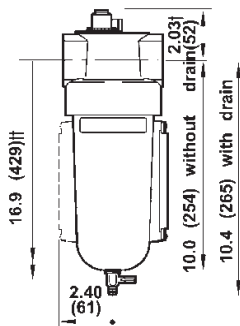
- Oil-fog lubricators, identified by a green adjusting screw, are used for lubricating a single air tool or air motor, and are located as near the device as possible.
- All the oil visible dropping through the transparent sight-feed dome goes to the airstream.
- L72C, L73C and L74C oil-fog lubricators can be filled under pressure.



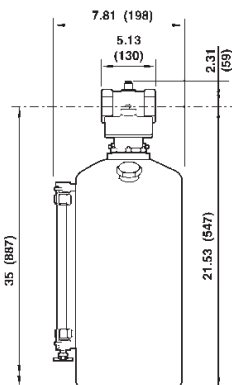
\*\* Optional pyrex sight-feed dome.  
† Minimum clearance required to remove bowl.



\*\* Optional pyrex sight-feed dome.  
† Minimum clearance required to remove bowl.



1 quart US (1 liter) reservoir  
1/4 turn drain



- **7 oz. reservoir**
- In-line or modular installation
- Quick release bayonet bowl.
- Inlet pressure for transparent bowl is **150 PSI**
- Inlet pressure for metal bowl is **250 PSI**
- Maximum temperature for transparent bowl is **125°**
- Maximum temperature for metal bowl is **175°F**.
- Recommended lubricants: Use a misting type oil rated 50 to 200 SSU (ISO Grade 7 to 46) at **100°F**.

### Standard with Transparent Bowl

Size	SCFM	Part #
3/8"	118	<b>L74C-3</b>
1/2"	192	<b>L74C-4</b>
3/4"	186	<b>L74C-6</b>

### Standard with Metal Bowl and Sight Glass

Size	SCFM	Part #
3/8"	118	<b>L74C-3MB</b>
1/2"	192	<b>L74C-4MB</b>
3/4"	186	<b>L74C-6MB</b>

- One turn threaded bowl attachment permits easy maintenance
- **1 qt. metal reservoir** with drain and oil level sight gauge
- Inlet pressure **250 PSI** maximum @ ambient temperature (70°F)
- Cannot be filled under pressure

### Jumbo with Metal Bowl and Sight Glass

Size	SCFM	Part #
3/4"	160	<b>L17-600D</b>
1"	275	<b>L17-800D</b>
1 1/4"	275	<b>L17-A00D</b>
1 1/2"	275	<b>L17-B00D</b>

- **2 gal. reservoir**
- Oil flow can be positively set
- Reservoirs are ASME construction
- Inlet pressure **250 PSI** maximum @ ambient temperature (70°F)
- Cannot be filled under pressure

### Jumbo General Purpose (Oil and Fog Only)

Size	SCFM	Part #
2"	1000	<b>10-076-004</b>

SCFM ratings given at 90 PSIG inlet pressure

dixonvalve.com



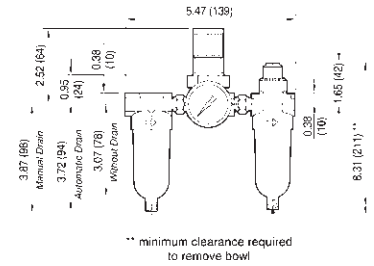
## Series 1 Combination Units



- inlet pressure **150 PSI** maximum @ ambient temperature (70°F)
- **1 oz. reservoir**
- **5-125 PSI** range
- supplied with GC620 gauge

### Mini with Transparent Bowl

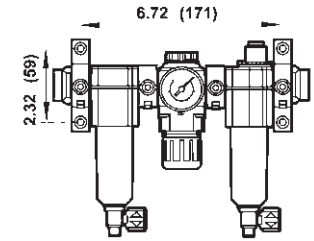
Size	SCFM	Automatic Drain Part #	Manual Drain Part #
1/8"	14	<b>P1A-100A</b>	<b>P1A-100M</b>
1/4"	14	<b>P1A-200A</b>	<b>P1A-200M</b>



- **2 oz. reservoir**

### Sub-Compact with Transparent Bowl

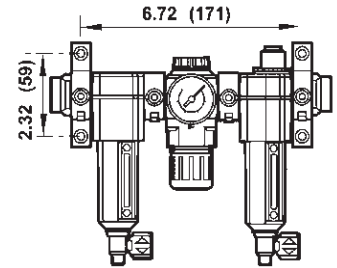
Size	SCFM	Automatic Drain Part #	Manual Drain Part #
1/4"	36	<b>E72-2A</b>	<b>E72-2M</b>
3/8"	36	<b>E72-3A</b>	<b>E72-3M</b>



- 72 Series Combination Units are connected modularly
- Includes 2 clamp and wall mounting brackets #4214-52, 2 clamps #4214-51, 2 NPT pipe adapters, #4215-02 and 1 GC620. See modular components on pages 33-34 for other options.
- **2 oz. reservoir**
- Adjustable **5-150 PSI**
- Inlet pressure for transparent bowl is **150 PSI** @ ambient temperature (70°F)
- Inlet pressure for metal bowl is **250 PSI** maximum @ ambient temperature (70°F)

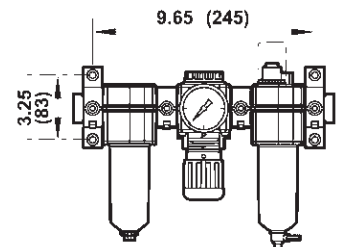
### Sub-Compact with Metal Bowl and Sight Glass

Size	SCFM	Automatic Drain Part #	Manual Drain Part #
1/4"	36	<b>E72-2A-MB</b>	<b>E72-2M-MB</b>
3/8"	36	<b>E72-3A-MB</b>	<b>E72-3M-MB</b>



### Compact with Transparent Bowl

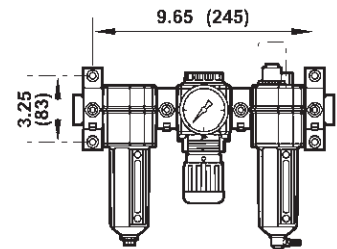
Size	SCFM	Automatic Drain Part #	Manual Drain Part #
1/4"	70	<b>E73-2A</b>	<b>E73-2M</b>
3/8"	70	<b>E73-3A</b>	<b>E73-3M</b>
1/2"	70	<b>E73-4A</b>	<b>E73-4M</b>



- 73 Series Combination Units are connected modularly
- Includes 2 clamp and wall mounting brackets #4314-52, 2 clamps #4314-51, 2 NPT pipe adapters, #4315-01 and 1 GC230. See modular components on pages 33-34 for other options.
- **4 oz. reservoir**
- Adjustable **5-150 PSI**
- Inlet pressure for transparent bowl is **150 PSI** @ ambient temperature (70°F)
- Inlet pressure for metal bowl is **250 PSI** maximum @ ambient temperature (70°F)

### Compact with Metal Bowl and Sight Glass

Size	SCFM	Automatic Drain Part #	Manual Drain Part #
1/4"	70	<b>E73-2A-MB</b>	<b>E73-2M-MB</b>
3/8"	70	<b>E73-3A-MB</b>	<b>E73-3M-MB</b>
1/2"	70	<b>E73-4A-MB</b>	<b>E73-4M-MB</b>

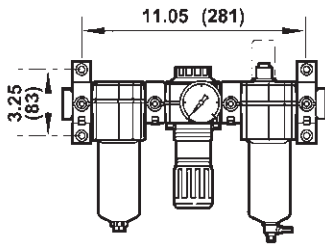


SCFM ratings given at 90 PSIG inlet pressure

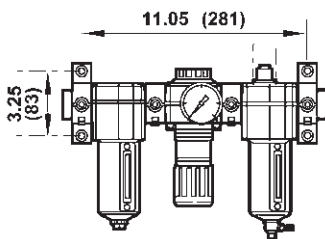
## Series 1 Combination Units

- 74 Series Combination Units are connected modularly
- Includes 2 clamp and wall mounting brackets #4314-52, 2 clamps #4314-51, 2 NPT pipe adapters, #4315-02 and 1 GC230.
- **7 oz. reservoir**
- Adjustable **5-150 PSI**
- Inlet pressure for transparent bowl is **150 PSI @ ambient temperature (70°F)**
- Inlet pressure for metal bowl is **250 PSI maximum @ ambient temperature (70°F)**

### Standard with Transparent Bowl



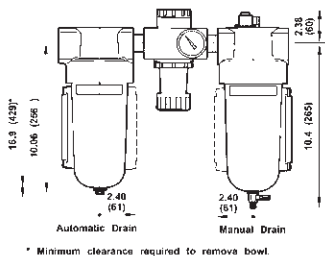
Size	SCFM	Automatic Drian Part #	Manual Drain Part #
3/8"	110	<b>E74-3A</b>	<b>E74-3M</b>
1/2"	150	<b>E74-4A</b>	<b>E74-4M</b>
3/4"	140	<b>E74-6A</b>	<b>E74-6M</b>



### Standard with Metal Bowl and Sight Glass

Size	SCFM	Automatic Drian Part #	Manual Drain Part #
3/8"	110	<b>E74-3A-MB</b>	<b>E74-3M-MB</b>
1/2"	150	<b>E74-4A-MB</b>	<b>E74-4M-MB</b>
3/4"	140	<b>E74-6A-MB</b>	<b>E74-6M-MB</b>

- **1 qt. reservoir**
- **5-125 PSI range**
- Inlet pressure **250 PSI @ ambient temperature (70°F)**



### Jumbo with Metal Bowl and Sight Glass

Size	SCFM	Automatic Drian Part #	Manual Drain Part #
3/4"	160	<b>P8A-660A</b>	<b>P8A-660M</b>
1"	275	<b>P8A-860A</b>	<b>P8A-860M</b>



SCFM ratings given at 90 PSIG inlet pressure

These units are intended for use in industrial compressed air systems only. They must not be used where pressure or temperature may exceed maximum rated operating conditions. The polycarbonated plastic bowls used on these units can be damaged and possibly burst if exposed to such substances as certain solvents, strong alkalis, compressor oils that contain ester-based additives or synthetic oils. Fumes of these substances in contact with the polycarbonate bowl, externally or internally, can also result in damage. Clean with warm water only. Use metal bowl in applications where a plastic bowl might be exposed to substances that are incompatible with polycarbonates. Not for use with fluids. Combination Units are supplied with micro-fog lubricators.



## Desiccant Compressed Air Dryers

*Cubic Foot ratings at 100 PSI inlet pressure.*



In-line installation. Quick release bayonet bowl.

- **1 qt:** Moisture indicator on top of body
- Uses 5 gel packets
- Nominal air drying capacity 6000 cubic feet at **100 PSI** and **77°F**
- Maximum inlet pressure: **250 PSI**. Maximum temperature: **175°F**
- Metal bowl: **1.25 lb. capacity**
- Compressed air dryers help to eliminate condensation at the point of use. A replaceable element filters outlet air to help prevent desiccant dust migration downstream.
- Silica gel desiccant changes color from blue to pink when desiccant replacement is needed. Desiccant can be dried and reused by heating to 275°F, or replaced. 1 qt. bowl uses 5 gel packets.
- An after filter should be placed downstream from the desiccant dryer to ensure solid contaminants such as desiccant dust do not migrate downstream.

Size	SCFM	Part #
¼"	10	<b>W74D-2A-MB32</b>

SCFM ratings given at 90 PSIG inlet pressure

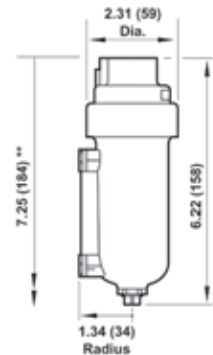
## Series 1 Drip Leg Automatic Drain

Used in compressed air systems to automatically expel liquids from piping systems. Installed at low points in piping and at end of pipe network where water is likely to accumulate.



- Metal bowl
- Drain is ported to 1/8" NPT
- Inlet pressure **250 PSIG maximum** @ ambient temperature (70°F)

Size	Part #
½"	<b>17-016-107</b>



\*\* Minimum clearance to remove bowl.

## Brass Hex Nipples

Size	Part #
1/8" x 1/8"	<b>BCN12</b>
1/4" x 1/4"	<b>BCN25</b>
3/8" x 3/8"	<b>BCN37</b>
1/2" x 1/2"	<b>BCN50</b>
3/4" x 3/4"	<b>BCN75</b>
1" x 1"	<b>BCN100</b>



## Steel Close Nipples

Size	Part #
1" x 1"	<b>CN100</b>
1 1/4" x 1 1/4"	<b>CN125</b>
1 1/2" x 1 1/2"	<b>CN150</b>
2" x 2"	<b>CN200</b>



Do not use pipe nipples as hose inserts.



## Accessories

### Bowls and Bowl Guards

Size	Description	Part #
F07	Polycarbonate bowl w/ auto drain	<b>3646-51</b>
F07	Polycarbonate bowl with manual drain	<b>3646-53</b>
L07	Polycarbonate bowl with drain	<b>3646-54</b>
F72	Transparent bowl with manual drain	<b>4266-50RF</b>
F72	Transparent bowl with semi-automatic drain	<b>4266-52RF</b>
F73	Transparent bowl with manual drain	<b>4425-50RF</b>
F73	Transparent bowl with auto drain	<b>4425-51RF</b>
F74, B74	Transparent bowl with manual drain	<b>4325-51R</b>
F74, B74	Transparent bowl with auto drain	<b>4325-52R</b>
L73	Transparent bowl with manual drain	<b>4425-50RL</b>
L74	Transparent bowl with manual drain	<b>4325-50R</b>

### Filter Elements

Size	Description	Part #
F07	5 micron	<b>3652-11</b>
F17	5 micron	<b>5311-01</b>
	25 micron	<b>5311-02</b>
F17	40 micron	<b>5311-03</b>
	5 micron	<b>5882-11</b>
F18	25 micron	<b>5882-12</b>
	40 micron	<b>5882-13</b>
F72	5 micron	<b>5925-03</b>
	40 micron	<b>5925-02</b>
F73	5 micron	<b>4438-01</b>
	40 micron	<b>4438-03</b>
F74	5 micron	<b>4338-04</b>
	40 micron	<b>4338-05</b>

### Filter Accessories

Size	Description	Part #
F73	Liquid level lens kit	<b>4380-020</b>
F72	Liquid level lens kit	<b>4380-030</b>
F74	Pyrex® sight glass kit	<b>4380-051</b>

## Accessories

### Repair Kits

Size	Description	Part #
F18	O-rings seals and gaskets	<b>5945-50</b>
R07	diaphragm, relieving	<b>3407-02</b>
R11	diaphragm, relieving	<b>529-03</b>
R17	diaphragm, relieving	<b>5578-02</b>
R72	diaphragm, relieving	<b>4381-500</b>
R73	diaphragm, relieving	<b>4381-600</b>
R74	diaphragm, relieving	<b>4381-700</b>

### Auto and Manual Drains

Size	Description	Part #
F17, F74	Auto drain	<b>3000-10</b>
F72, F73	Auto drain	<b>4000-51R</b>
F08, F17,F72, F73, F74, L08, L17	Manual drain	<b>619-50</b>

### Element Replacements

Size	Description	Part #
F74C	Oil removal filter	<b>4344-01</b>
F74H	Oil removal filter	<b>4344-02</b>
F74V	Vapor removal filter	<b>4341-01</b>
W74D	5 silica gel refills, .25lb. each	<b>4385-700</b>

### Regulator Replacement Springs

Size	Description	Part #
R74	5-60	<b>4332-01</b>
	5-150	<b>4332-02</b>

### Mounting Brackets

Size	Description	Part #
R07	Plastic panel nut	<b>2962-89</b>
R17	Metal panel nut	<b>5226-97</b>
F07	Mounting bracket only	<b>5939-06</b>
F17, L17	Mounting bracket kit for 3/4" & 1"	<b>6212-50</b>
L07	Mounting bracket only	<b>5095-17</b>
R07, B07	Mounting bracket, with plastic panel nut	<b>18-025-003</b>
R17	Mounting bracket with plastic panel nut	<b>5570-04</b>

### Lubricator Accessories

Size	Description	Part #
L17, L74	Quick fill cap	<b>18-011-021</b>
L73, L74	Aluminum fill plug	<b>5301-55</b>
L72, L74	Sight feed dome (Micro-fogging design)	<b>4055-50</b>
L72	Sight feed dome (Oil-fogging design)	<b>4055-51</b>
L72, L74	Pyrex® sight feed dome	<b>5605-50</b>
L74	Liquid level indicator repair kit	<b>4380-050</b>



## Accessories

### O-Ring Kits

Size	Description	Part #
F17	O-Ring seals and gaskets	<b>5578-05</b>
L17	O-Ring seals and gaskets	<b>5771-02</b>
F73	O-Ring seals and gaskets	<b>4380-600</b>
F74	O-Ring seals and gaskets	<b>4380-700</b>
L73	O-Ring seals and gaskets	<b>4382-600</b>
L74	O-Ring seals and gaskets	<b>4382-700</b>

### Gauges

Size	Description	Part #
R72, B72	0-160 PSI gauge	<b>GC620</b>
R73, R74, B73, B74	0-160 PSI gauge	<b>GC230</b>

### Service Life Indicator Conversion Kit for Airline Filters and Oil Removal Filters

Allows addition of service life indicator in the field.



For	Part #
F72, F73, F74	<b>5797-050</b>

### Panel Nuts

Use to panel mount regulators and filter/regulators. Series 72 nut is plastic; Series 73 and 74 nuts are zinc.



For	Part #
72	<b>4248-89</b>
73	<b>5191-88</b>
74	<b>4348-89</b>

### Tamper Resistant Cover & Seal Wire

Install on the adjusting knob of regulators or filter/regulators to help prevent unauthorized adjustment to the pressure setting. Cover can be locked in place with up to four padlocks.



For	Part #
72	<b>4255-51</b>
73	<b>4455-51</b>
74	<b>4355-51</b>

### Seal Wire

Install under sight feed dome on L73 and L74 lubricators to provide tamper resistant protection of the lubricator drip rate setting.

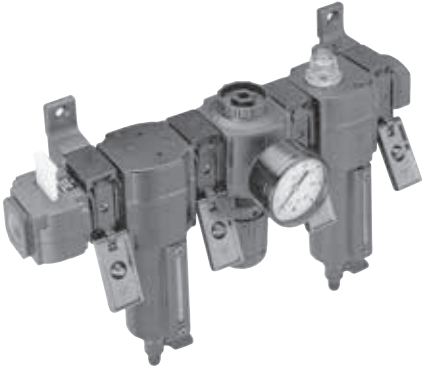


For	Part #
73, 74	<b>2117-01</b>

## Accessories

### Typical Setup

Combination unit shown with clamps, end pipe adapters and wall mounting brackets.



### Clamp Wall Mounting Brackets

Use with the clamp to provide secure mounting to a wall, machine panel or other flat surface. 74 Series mounts with 7/32" screws.



For	Part #
73, 74	<b>4313-50</b>

### Clamps

For use with all 72, 73 & 74 Series products to provide modular installation capability. Flanges on the products slide into V grooves in the clamp. Two face-sealing O-rings in the clamp provide a positive seal when the clamp is closed and the captive screw is tightened.



For	Part #
72 Quickclamp	<b>4214-51</b>
73, 74 Quickclamp	<b>4314-51</b>
72 Service Kit (2 O-rings)	<b>4384-570</b>
73, 74 Service Kit (2 O-rings)	<b>4384-770</b>

### Clamp and Wall Mounting Brackets



For	Part #
72	<b>4214-52</b>
73, 74	<b>4314-52</b>

### Wall Mounting Brackets

For use with 72, 73 & 74 Series products to secure to a wall, machine panel or other flat surface. For use instead of quickclamps and pipe adapters for wall attachment of combination unit or individual filter, regulator or lubricator. Use close nipples to connect combination unit and then place in bracket.



For	Part #
72	<b>4224-50</b>
73	<b>4424-50</b>
74	<b>4324-50</b>

### Pipe Adapters

For use with clamps to provide PTF threaded connections to the system piping. Sold individually.



For	Size	Part #
72	1/4"	<b>4215-02</b>
72	3/8"	<b>4215-03</b>
73, 74	1/4"	<b>4315-01</b>
73, 74	3/8"	<b>4315-02</b>
73, 74	1/2"	<b>4315-03</b>
73, 74	3/4"	<b>4315-04</b>

### Porting Blocks

Installs between two clamps to provide three additional 1/4" PTF outlets for auxiliary air.



For	Part #
73, 74	<b>4316-50</b>

### Manifold Blocks

Installs with clamps. 73 & 74 Series ports are threaded 3/4" PTF to provide manifolding capability for up to three components.



For	Part #
73, 74	<b>4328-50</b>

## Series 1 FRL Display

Increase your sales with this heavy duty, point-of-purchase Dixon FRL Display, designed to highlight the features and benefits of a modular Filter-Regulator-Lubricator Combination Unit for air line services. The display is perfect for your "Will Call" or showroom sales area.

The display features:

- 74 Series basic combination unit with metal bowl with sight glass
- manual drain
- modular mounting clamps
- pipe adapters

Note: assembly is required.

---

Part #

***NORG74DISPLAY***

---



Dixon, founded in 1916, is a premier manufacturer and supplier of hose couplings, valves, dry-disconnects, swivels, and other fluid transfer and control products. The company's global reach includes a wide range of products for numerous industries including petroleum exploration, refining, transportation, chemical processing, food & beverage, steel, fire protection, construction, mining and manufacturing. Dixon's strategic objective is to create solutions that make products safer, leak-free, longer lasting, and always available.

**dixonvalve.com** • *Customer Service:* **877.963.4966**



*The Right Connection*®

**Dixon Valve**

800 High Street, Chestertown, MD 21620  
Fax: 800.283.4966



Dixon  
Customer Service

