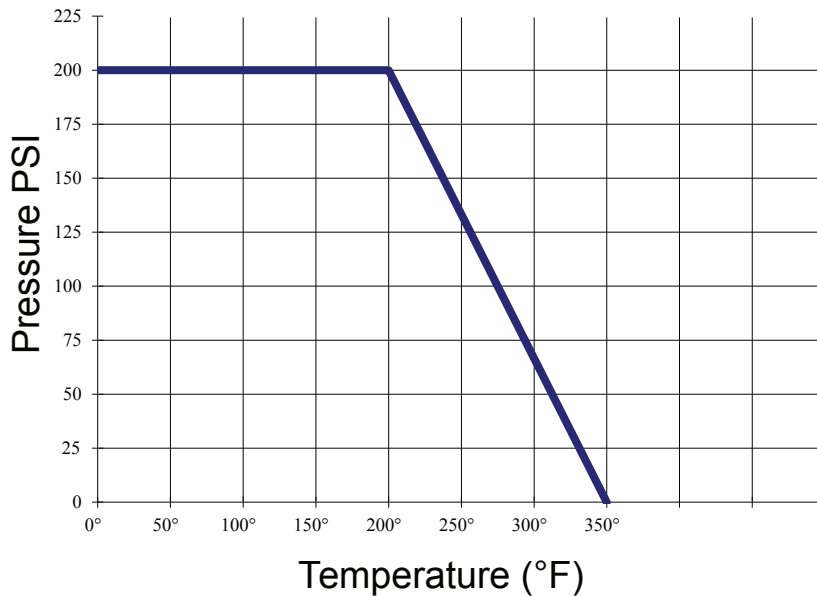


APPLICABLE STANDARDS:

- Design: ASME B16.34
- Testing: API 598
- 200 PSI working pressure at 350°F

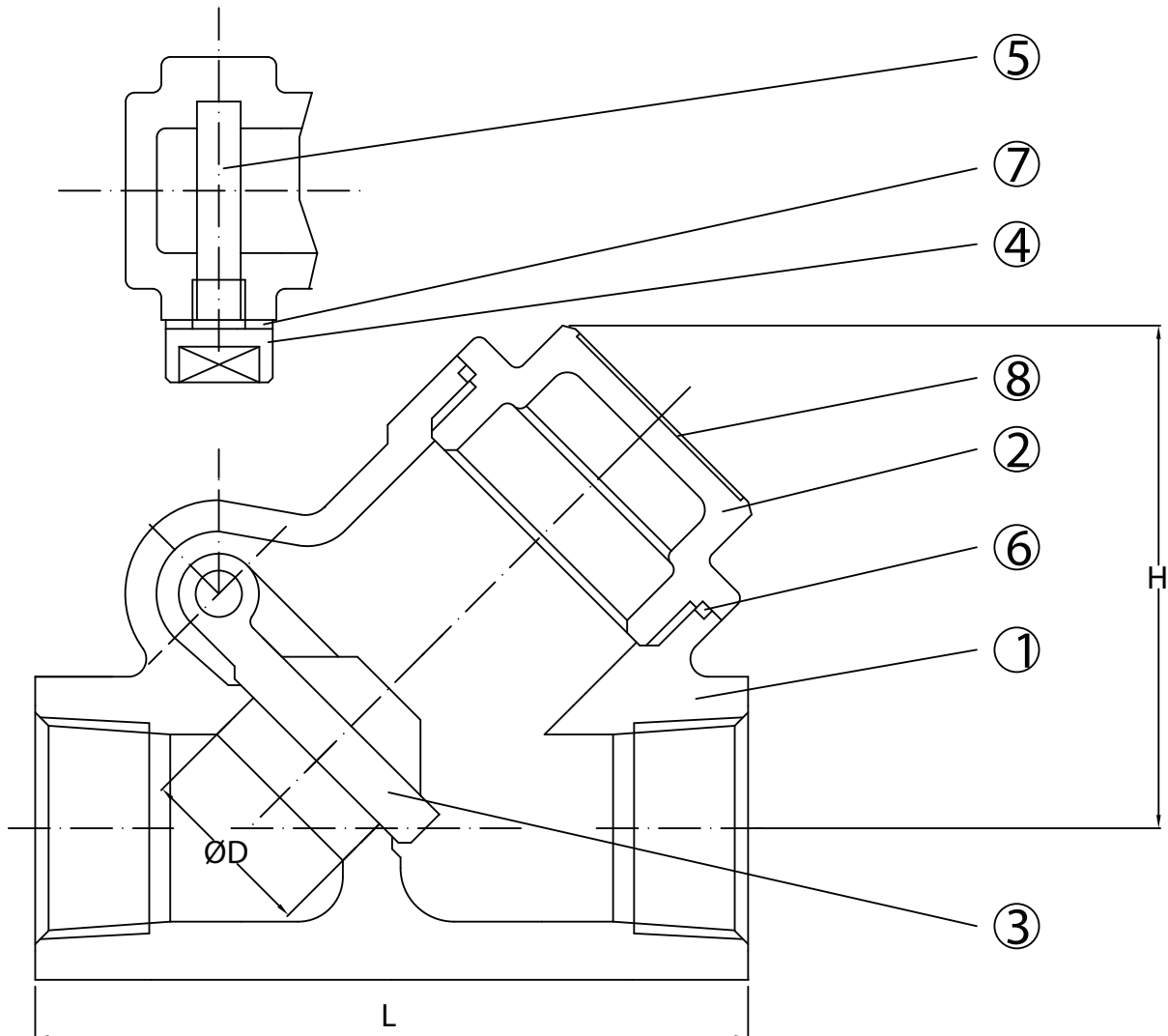


Cv, Weights & Port

Size	Cv	Wt (Lbs)	Port
1/2"	3.5	0.74	0.59
3/4"	6.5	1.16	0.79
1"	9.5	1.86	0.98
1-1/4"	18.5	2.58	1.26
1-1/2"	24	3.90	1.50
2"	45	5.64	1.97

Headquarters:
 One Merit Drive
 PO Box 43127
 Cleveland OH 44143
 TEL: 216 261 9800
 TOLL FREE TEL: 800 726 9800
 TOLL FREE FAX: 855 MBFAXIT (623 2948)
 Email: mbsales@meritbrass.com
 Websites: www.meritbrass.com
www.MBWebXpress.com

**Class 200 Stainless Steel Swing Check Wye Pattern Valve
Threaded, Full Port, "V Series"**



Unit: Inch

NO	PART NAME	QTY	MATERIAL
1	BODY	1	ASTM A351 CF8M
2	BONNET	1	ASTM A351 CF8M
3	DISC	1	ASTM A351 CF8M
4	PLUG	1	SUS316
5	HINGE PIN	1	SUS316
6	GASKET PACKING	1	PTFE
7	GASKET PACKING	1	PTFE
8	NAME PLATE	1	AL

Size	D Port	L	H
1/2"	0.59	2.56	1.81
3/4"	0.79	3.15	2.20
1"	0.98	3.54	2.60
1-1/4"	1.26	4.13	2.99
1-1/2"	1.50	4.72	3.54
2"	1.97	5.51	4.13