

KFV2015FP
KFV203FP

STAINLESS STEEL ASME CLASS 150 / 300 2 - PC Body, Flanged End Ball Valve, Full Port

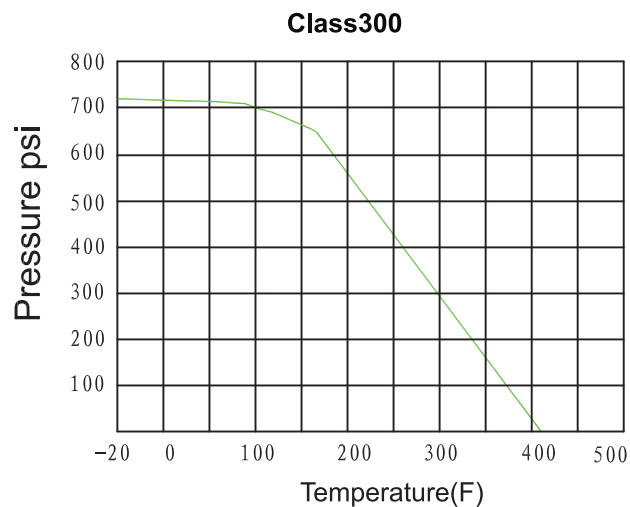
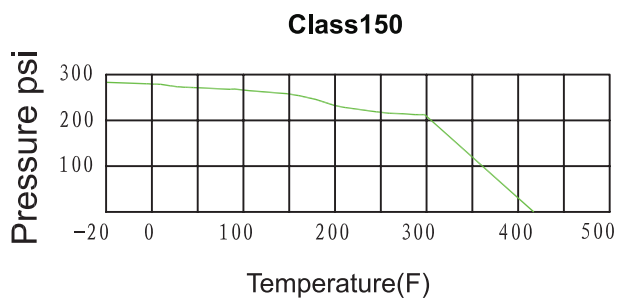


DESIGN FEATURES:

- Built-in ISO 5211 Mounting Pad for Easy Automation
- Anti-Static Devices for Ball-Stem-Body
- Blow-out Proof Stem
- Pressure Balance Hole in Ball Slot
- Casting Boss on Body for Draining

APPLICABLE STANDARDS:

- Design : ASME B16.34, API 608
- Face to Face : ASME B16.10
- Wall Thickness : ASME B16.34
- End Flange : ASME B16.5
- Inspection & Testing : API 598



Cv, Weights & Port

Size	Cv	Wt (Lbs)	Port
1/2"	18	3.62	0.59
3/4"	36	4.48	0.79
1"	48	6.40	0.98
1-1/4"	72	8.03	1.26
1-1/2"	120	12.86	1.50
2"	190	18.42	1.97
2-1/2"	450	31.51	2.52
3"	600	39.87	2.99
4"	1100	65.75	3.93
6"	2600	161.07	5.90
8"	4200	276.96	7.87

KFV2015FP
150#

Torques(in-lbs)

Size	Cv	Wt (Lbs)	Port
1/2"	18	5.27	0.59
3/4"	36	7.52	0.79
1"	48	10.81	0.98
1-1/4"	72	10.99	1.26
1-1/2"	120	18.31	1.50
2"	190	22.86	1.97
2-1/2"	450	36.85	2.52
3"	600	57.44	2.99
4"	1100	93.51	3.93
6"	2600	161.08	5.90
8"	4200	318.40	7.87

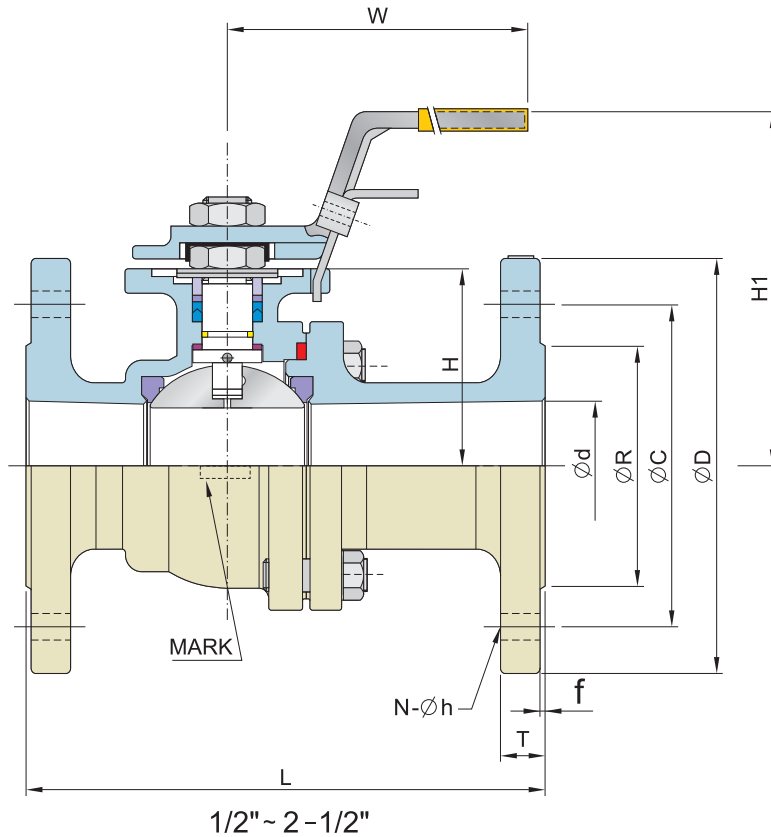
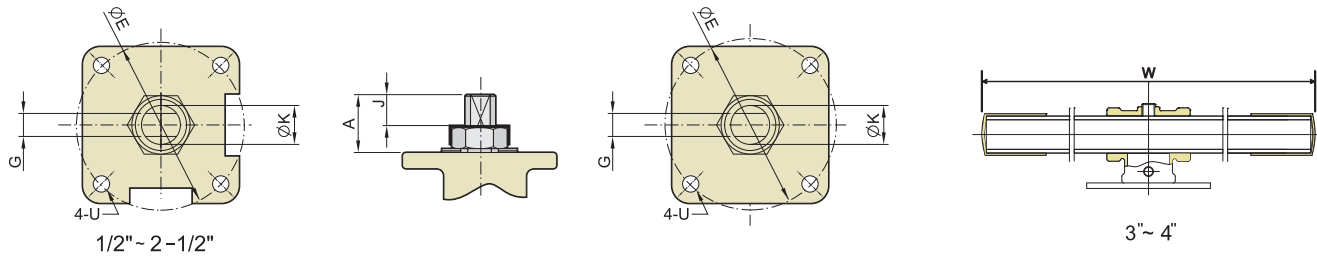
KFV203FP
300#

Size	Torque
1/2"	44
3/4"	53
1"	89
1-1/4"	115
1-1/2"	168
2"	252
2-1/2"	398
3"	637
4"	974
6"	2708
8"	3806

Headquarters:
One Merit Drive
PO Box 43127
Cleveland, OH 44143
TEL: 216 261 9800
TOLL FREE TEL: 800 726 9800
TOLL FREE FAX: 855 MBFAXIT
Email: mbsales@meritbrass.com
Websites: www.meritbrass.com
www.MBWebXpress.com
www.MBLeadFree.com

KFV2015FP
KFV203FP

STAINLESS STEEL ASME CLASS 150 / 300
2 - PC Body, Flanged End Ball Valve, Full Port



■ ASME CLASS 150

KFV2015FP

Unit: inch

Size	Ød Port	L	ØR	ØD	ØC	f	T	H	H1	N	Øh	W	G	A	J	ØK	U	ØE	ISO5211
1/2"	0.59	4.25	1.38	3.50	2.38	0.08	0.40	1.46	3.38	0.16	0.63	5.31	0.25	0.79	0.39	0.47	M5	1.65	F04
3/4"	0.79	4.60	1.69	3.88	2.75	0.08	0.43	1.57	3.90	0.16	0.63	5.31	0.25	0.79	0.39	0.47	M5	1.65	F04
1"	0.98	5.00	2.01	4.25	3.13	0.08	0.46	1.81	3.90	0.16	0.63	6.69	0.35	0.94	0.43	0.59	M6	1.97	F05
1-1/4"	1.26	5.51	2.50	4.61	3.50	0.08	0.51	1.97	3.98	0.16	0.63	6.69	0.35	0.94	0.43	0.59	M6	1.97	F05
1-1/2"	1.50	6.49	2.88	5.00	3.88	0.08	0.57	2.44	4.64	0.16	0.63	7.87	0.38	1.06	0.63	0.63	M8	2.75	F07
2"	1.97	7.00	3.62	6.00	4.75	0.08	0.64	2.79	5.00	0.16	0.75	7.87	0.38	1.06	0.63	0.63	M8	2.75	F07
2-1/2"	2.52	7.48	4.13	7.00	5.50	0.08	0.70	3.50	6.42	0.16	0.75	11.81	0.63	1.67	0.83	0.94	M10	4.01	F10
3"	2.99	7.99	5.00	7.50	6.00	0.08	0.77	3.94	6.79	0.16	0.75	11.81	0.63	1.67	0.83	0.94	M10	4.01	F10
4"	3.93	9.01	6.19	9.01	7.50	0.08	0.96	4.74	8.23	0.32	0.75	15.75	0.71	1.87	0.98	1.14	M10	4.01	F10
6"	5.90	15.50	8.50	11.0	9.50	0.08	1.01	7.99	10.83	0.31	0.88	31.50	1.06	1.06	NA	1.35	M14	4.92	F12
8"	7.87	17.99	10.63	13.5	11.75	0.08	1.14	9.94	12.91	0.31	0.88	31.50	1.06	1.06	NA	1.35	M14	4.92	F12

■ ASME CLASS 300

KFV203FP

Unit: inch

Size	Ød Port	L	ØR	ØD	ØC	f	T	H	H1	N	Øh	W	G	A	J	ØK	U	ØE	ISO5211
1/2"	0.59	5.51	1.38	3.75	2.62	0.08	0.58	1.46	3.38	0.16	0.63	5.31	0.25	0.79	0.39	0.47	M5	1.65	F04
3/4"	0.79	5.98	1.69	4.62	3.25	0.08	0.64	1.57	3.90	0.16	0.75	5.31	0.25	0.79	0.39	0.47	M5	1.65	F04
1"	0.98	6.50	2.01	4.88	3.50	0.08	0.70	1.81	3.90	0.16	0.75	6.69	0.35	0.94	0.43	0.59	M6	1.97	F05
1-1/4"	1.26	7.01	2.50	5.25	3.88	0.08	0.77	1.97	3.98	0.16	0.75	6.69	0.35	0.94	0.43	0.59	M6	1.97	F05
1-1/2"	1.50	7.48	2.88	6.12	4.50	0.08	0.83	2.44	4.64	0.16	0.88	7.87	0.38	1.06	0.63	0.63	M8	2.75	F07
2"	1.97	8.50	3.62	6.50	5.00	0.08	0.89	2.79	5.00	0.32	0.75	7.87	0.38	1.06	0.63	0.63	M8	2.75	F07
2-1/2"	2.52	9.49	4.13	7.50	5.88	0.08	1.02	3.50	6.42	0.32	0.88	11.81	0.63	1.67	0.83	0.94	M10	4.01	F10
3"	2.99	11.10	5.00	8.27	6.61	0.08	1.14	3.94	6.79	0.32	0.88	11.81	0.63	1.67	0.83	0.94	M10	4.01	F10
4"	3.93	12.01	6.19	10.00	7.87	0.08	1.27	4.74	8.23	0.32	0.88	15.75	0.71	1.87	0.98	1.14	M10	4.01	F10
6"	5.90	15.87	8.50	12.50	10.62	0.08	1.46	7.99	10.85	0.47	0.88	31.50	1.06	1.06	NA	1.35	M14	4.92	F12
8"	7.87	19.76	10.63	15.00	13.00	0.08	1.64	9.94	12.91	0.47	1.00	31.50	1.06	1.06	NA	1.35	M14	4.92	F12

KFV2015FP
KFV203FP

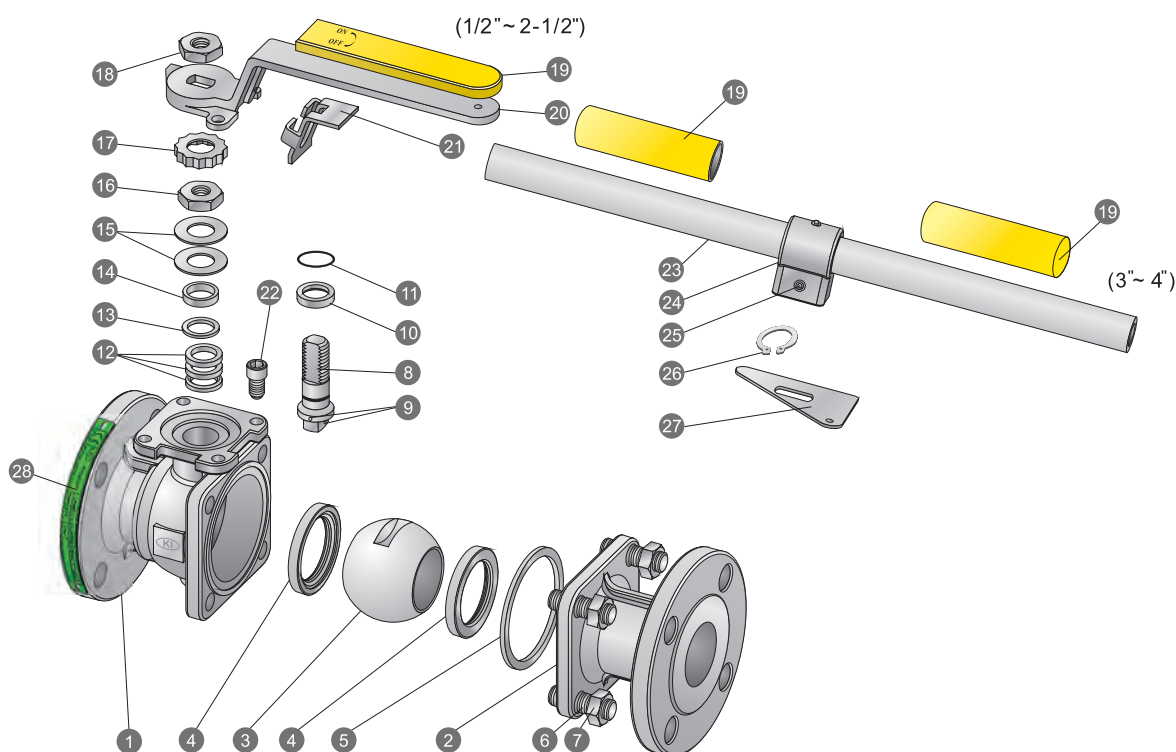
STAINLESS STEEL ASME CLASS 150 / 300 2 - PC Body, Flanged End Ball Valve, Full Port

MERIT BRASS

Standard	ANSI/ASME	DIN	JIS
Rating	B16.34 CLASS 150 (BS EN ISO 17292 CLASS 150) B16.34 CLASS 300 (BS EN ISO 17292 CLASS 300)	DIN 3357 PN10 - PN40 EN 12516-1	B2001 10K B2001 20K
Face to Face	B16.10	DIN 3202 F4 / F18 DIN 3202 F1 / F17 EN 558-1 Series1/Series27	B2002 10K Form 6 B2002 20K Form 10
Connection Facing	B16.5RF serrated Finish (AARH200)	DIN EN1092-1	B2212 10K B2214 20K
Inspection & Testing	API 598, API 6D	DIN 3230/3, EN 12266	JIS B2003
Quality Assurance	ISO 9001, QS9000 AD 2000 - Merkblatt W0 PED 97/23/EC C€0036 API 6D	ISO 9001, QS9000 AD 2000 - Merkblatt W0 PED 97/23/EC C€0036 API 6D	ISO 9001, QS9000 AD 2000 - Merkblatt W0 PED 97/23/EC C€ 0036 API 6D

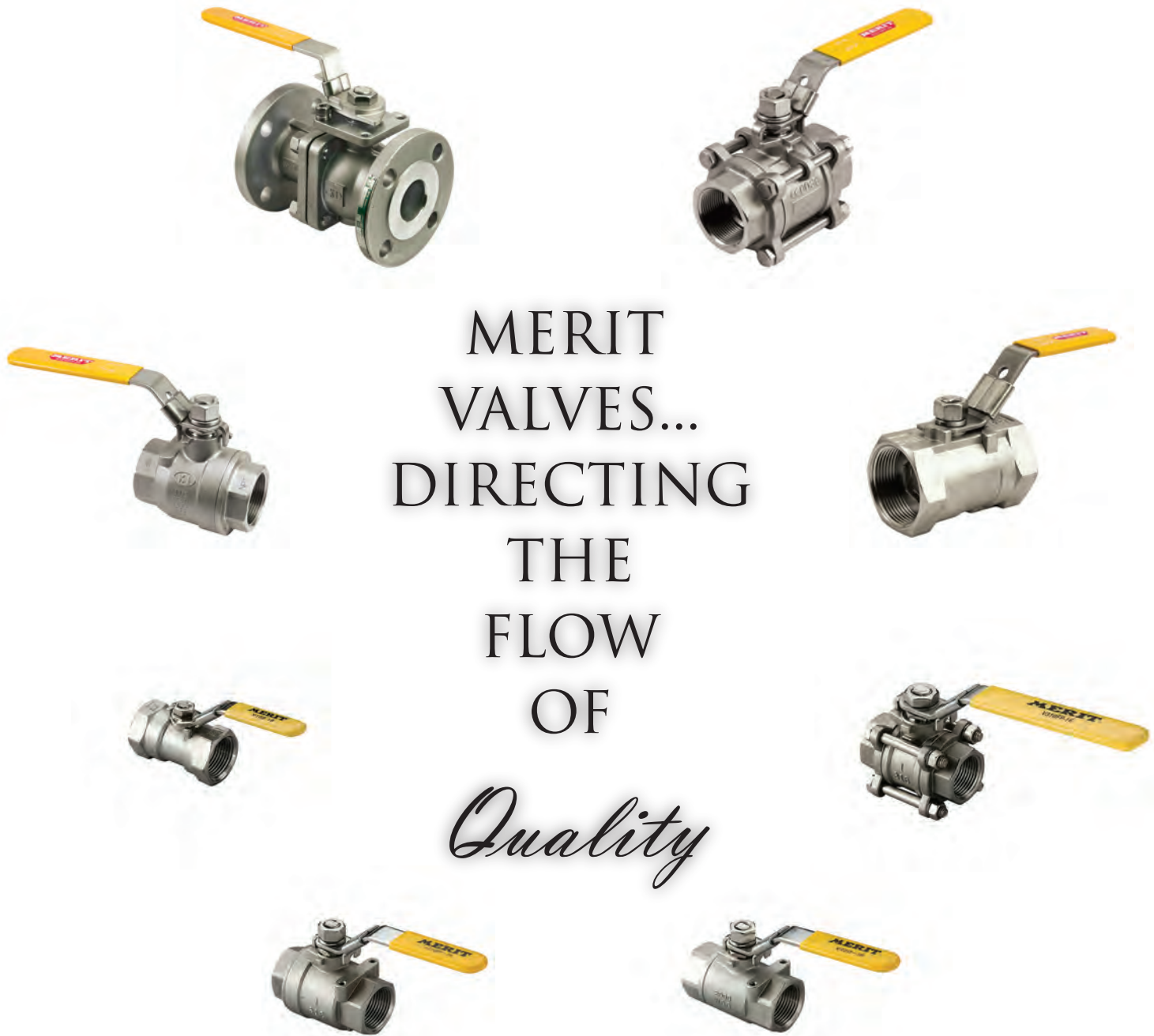
AVAILABLE OPTIONS

- Other Alloy are Available
- Casting per NACE/MR - 01-75 for Sour Gas Service.
- Castings Approved by TÜV AD 2000 -Merkblatt W0 /EN10204 3.2 Form. (EN10204 3.1 Form is free)



MATERIALS

NO.	PART NAME	MATERIALS		
		ANSI / JIS / DIN	ANSI / JIS / DIN	ANSI / JIS / DIN
1	Body	A351 - CF8M / SCS14A / 1.4408	A351 - CF8 / SCS13A / 1.4308	A216 - WCB / SCPH2 / 1.0619
2	End Cap	A351 - CF8M / SCS14A / 1.4408	A351 - CF8 / SCS13A / 1.4308	A216 - WCB / SCPH2 / 1.0619
3	Ball	A351 - CF8M / SCS14A / 1.4408	A351 - CF8 / SCS13A / 1.4308	
4	Ball Seat		TFM1600 / PTFE / RTFE	
5	Body Gasket		PTFE	
6	Bolting		A193 - B8	A193 - B7
7	Bolt Nut		A194 - 8	A194 - 2H
8	Stem	SUS 316		SUS 304
9	Anti-Static Device	SUS 316		SUS 304
10	Thrust Washer		PTFE	
11	O-Ring		FKM (VITON)	
12	Stem Packing		PTFE	
13	Bushing		50%SS+50%PTFE	
14	Gland		SUS 316	
15	Belleville Washer		SUS 301	
16	Stem Nut		A194 - 8	
17	Stop-lock-cap		SUS 304	
18	Lever Nut (1/2"~2-1/2")		A194 - 8	
19	Lever Sleeve		VINYL PLASTIC	
20	Lever (1/2"~2-1/2")		SUS 304	
21	Lock Device (1/2"~2-1/2")		SUS 304	
22	Stop Bolt		A193 - B8	
23	Pipe Handle (3"~4")		A53+Zn PLATED	
24	Handle Adapter (3"~4")		A351 - CF8	
25	Set Screw (3"~4")		A193 - B8	
26	Snap Ring (3"~4")		SUS 304	
27	Triangle Stopper (3"~4")		SUS 420	
28	Nameplate		SUS 304	



MERIT
VALVES...
DIRECTING
THE
FLOW
OF
Quality

VISIT US AT WWW.MERITBRASS.COM · WWW.MBWEBXPRESS.COM · WWW.MBLEADFREE.COM

CLEVELAND HEADQUARTERS:

Local Tel: 216-261-9800
Toll Free Tel: 800-726-9800
Toll Free Fax: 855-MBFAXIT
E-Mail: mbsales@meritbrass.com
Address: P.O. Box 43127, One Merit Drive
 Cleveland, OH 44143

DALLAS DISTRIBUTION CENTER:

Toll Free Tel: 877-259-2591
Toll Free Fax: 877-259-2596
E-Mail: mbsalesTX@meritbrass.com
Address: 10614 King William Drive
 Dallas, TX 75220

RENO DISTRIBUTION CENTER:

Local Tel: 775-353-3184
Toll Free Tel: 855-912-0408
Toll Free Fax: 877-376-0093
E-Mail: mbsalesNV@meritbrass.com
Address: 200 Vista Blvd., Suite #106
 Sparks, NV 89434

BIRMINGHAM DISTRIBUTION CENTER:

Local Tel: 205-945-5700
Toll Free Tel: 855-912-0409
Toll Free Fax: 866-668-9168
E-Mail: mbsalesAL@meritbrass.com
Address: 280 Oxmoor Court, Suite D
 Birmingham, AL 35209

Merit Brass Cleveland Headquarters Has An ISO 9001:2008 Registered Quality Management System



The Top Brass With A Stainless Reputation