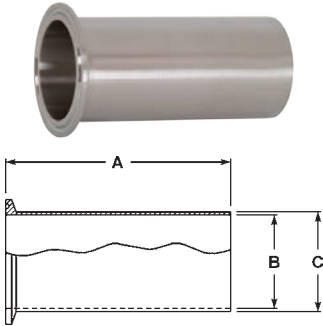


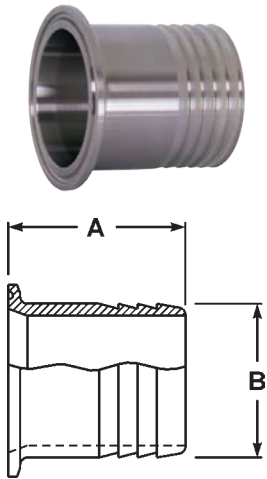
Clamp Adapters

Tygon® Hose Adapters - 14MPHT



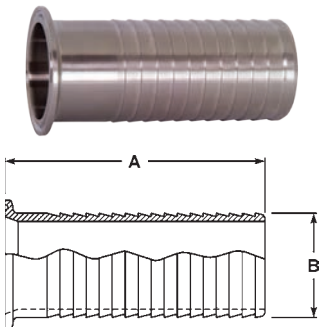
Tube OD	Dimensions			316L Stainless Steel	
	A	B	C	Part #	Price/E
¾"	4.000"	.620"	.750"	14MPHT-R75	\$192.70
1"	4.500"	.870"	1.000"	14MPHT-R100	65.70
1½"	4.500"	1.370"	1.500"	14MPHT-R150	65.70
2"	4.500"	1.870"	2.000"	14MPHT-R200	72.25
2½"	4.500"	2.370"	2.500"	14MPHT-R250	96.30
3"	4.500"	2.870"	3.000"	14MPHT-R300	120.15
4"	4.625"	3.834"	4.000"	14MPHT-R400	192.65

Rubber Hose Adapters - 14MPHR



Tube OD	Hose Size	Dimensions		304 Stainless Steel		316L Stainless Steel	
		A	B	Part #	Price/E	Part #	Price/E
½"	¼"	1.500"	.250"	---	---	14MPHR-R5025	124.80
½"	½"	1.500"	.500"	---	---	14MPHR-R50	92.00
½"	¾"	1.500"	.750"	---	---	14MPHR-R5075	124.80
¾"	¼"	1.500"	.250"	---	---	14MPHR-R7525	102.90
¾"	⅜"	1.500"	.375"	---	---	14MPHR-R75375	102.90
¾"	½"	1.500"	.500"	---	---	14MPHR-R7550	102.90
¾"	¾"	1.500"	.750"	---	---	14MPHR-R75	96.20
1"	⅜"	1.500"	.375"	---	---	14MPHR-R100375	186.90
1"	½"	1.500"	.500"	---	---	14MPHR-R10050	190.70
1"	¾"	1.688"	.750"	14MPHR-G10075	\$162.10	14MPHR-R10075	237.40
1"	1"	1.688"	1.000"	14MPHR-G100	38.95	14MPHR-R100	156.85
1½"	½"	1.500"	.500"	14MPHR-G15050	111.95	14MPHR-R15050	196.50
1½"	⅝"	1.500"	.625"	---	---	14MPHR-R150625	208.80
1½"	¾"	1.500"	.750"	14MPHR-G15075	111.95	14MPHR-R15075	196.50
1½"	1"	1.687"	1.000"	14MPHR-G150100	105.25	14MPHR-R150100	165.45
1½"	1½"	1.689"	1.500"	14MPHR-G150	45.80	14MPHR-R150	132.60
2"	1½"	2.312"	1.500"	14MPHR-G200150	204.15	14MPHR-R200150	281.00
2"	2"	2.312"	2.000"	14MPHR-G200	61.55	14MPHR-R200	152.30
2½"	2½"	2.344"	2.500"	14MPHR-G250	90.20	14MPHR-R250	257.35
3"	3"	3.094"	3.000"	14MPHR-G300	106.70	14MPHR-R300	306.35
4"	4"	3.406"	4.000"	14MPHR-G400	152.40	14MPHR-R400	637.75
6"	6"	3.406"	6.000"	14MPHR-G600	1232.65	14MPHR-R600	1848.60

Brewery Hose Barb Adapters - 14MPHRL



Feature:

- suitable for use with band clamps

Tube OD	Dimensions		304 Stainless Steel	
	A	B	Part #	Price/E
1"	3.500"	1.045"	14MPHRL100	\$57.95
1½"	5.000"	1.545"	14MPHRL150	65.70
2"	5.000"	2.045"	14MPHRL200	84.05
2½"	5.500"	2.545"	14MPHRL250	102.65
3"	5.500"	3.045"	14MPHRL300	135.10
4"	5.500"	4.045"	14MPHRL400	187.65



Use of PVC tubing requires special installation techniques to prevent leakage. All assembly work must be done with heated tube. Cold durometer is 90 as opposed to rubber hose at 65 to 70 durometer. Banding buckles must be at 180° from one another.