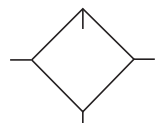


# Lubricator L08 EconOmist™

= "Most Popular"

**B**

Filters, Regulators, Lubricators



**L08-01-KK00**

## Features

- Integral Sight Dome and Adjustment Knob
- Fill-under Pressure Design
- Modern Design and Appearance
- Light Weight
- High Flow Capacity
- Quick-disconnect Bowl

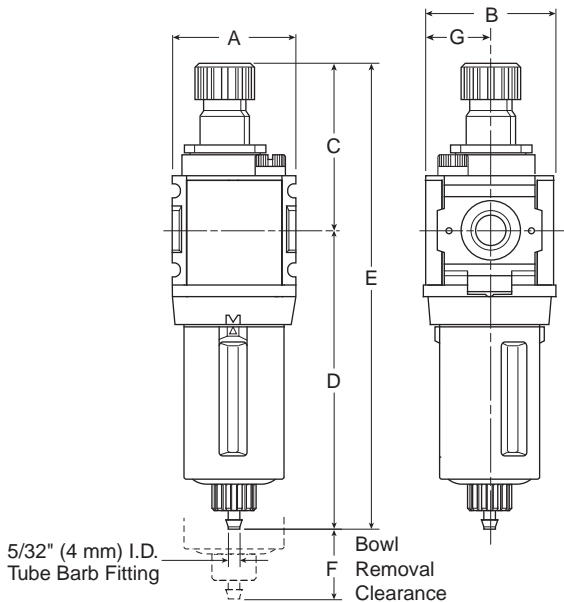
## Specifications

Flow Capacity*	1/8	23.5 SCFM (11.0 dm <sup>3</sup> /s)
	1/4	57.5 SCFM (27.1 dm <sup>3</sup> /s)
Initial Drip Flow	1.3 SCFM	
Maximum Supply Pressure	Plastic Bowl	150 PSIG (10.3 bar)
	Metal Bowl	250 PSIG (17.2 bar)
Minimum Flow for Lubrication	1.3 SCFM @ 100 PSIG	
Operating Temperature	Plastic Bowl	14° to 125°F (-10° to 52°C)
	Metal Bowl	14° to 150°F (-10° to 65.5°C)
Port Size	NPT / BSPP-G 1/8, 1/4	
Bowl Capacity	0.6 oz	
Weight	.60 lb. (0.3 kg)	

\* Inlet pressure 150 PSIG (10.3 bar). Pressure drop 5 PSID (0.3 bar).

## Materials of Construction

Body	Zinc	
Body Cap	ABS	
Bowls	Plastic Bowl	Polycarbonate
	Metal Bowl	Zinc
Pick-up Filter	Sintered Bronze	
Seals	Plastic Bowl	Nitrile
	Metal Bowl	Nitrile
Sight Dome	Polycarbonate	
Suggested Lubricant	Airline Oil F442001	



## Dimensions

Models	Inches (mm)	A	B	C	D	E	F	G
Standard Unit L08-XX-KK00		1.58 (40)	1.68 (43)	2.25 (57)	3.75 (95)	6.00 (152)	1.31 (33)	.84 (21)

= "Most Popular"

### Replacement Bowl Kits

- Metal Bowl –  
 Manual Drain ..... GRP-96-714  
 No Drain Port..... GRP-96-715

- Plastic Bowl –  
 Bowl Guard, Manual Drain ..... LRP-96-736  
 Bowl Guard, No Drain Port ..... LRP-96-713

### Replacement Kits

- Bowl O-ring –  
 Fluorocarbon ..... GRP-96-711  
 Nitrile..... GRP-96-710

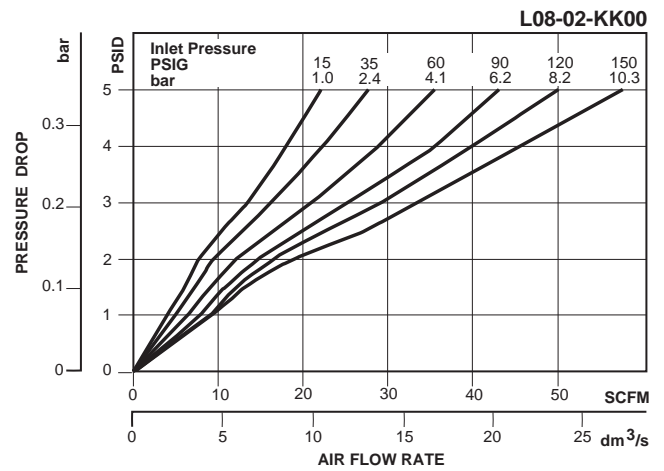
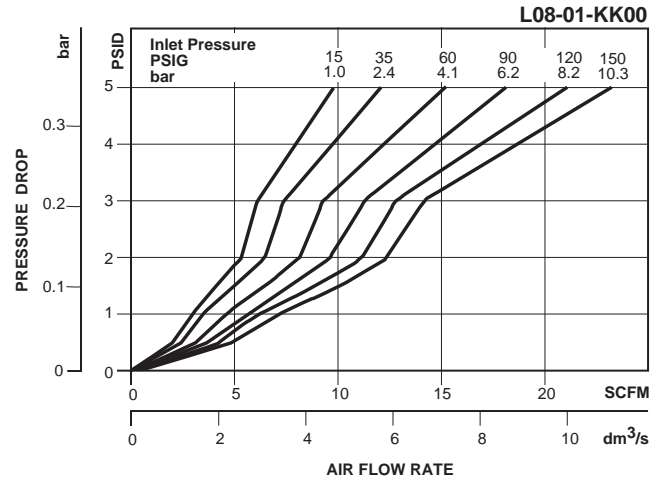
- Fill Plug Kit ..... LRP-96-730

- Sight Dome Assembly –  
 New Style Nylon ..... LRP-96-720  
 New Style Polycarbonate, L08-XX-KXXX..... LRP-96-725

- Siphon Tube Assembly ..... LRP-96-731

### Accessories

- Wall Mounting Bracket –  
 C-Type ..... GPA-97-010  
 T-Type ..... GPA-96-737



**B**

Filters, Regulators, Lubricators

### Ordering Information

Model Type	Port Size	Plastic Bowl / Bowl Guard	Metal Bowl / No Sight Gauge
Manual Drain	1/8	L08-01-KK00	L08-01-KL00
	1/4	L08-02-KK00	L08-02-KL00

**Options** - To order an option supplied with the unit model, add the appropriate coded suffix letter in the designated position of the model number.