

Sight Glasses

Features:

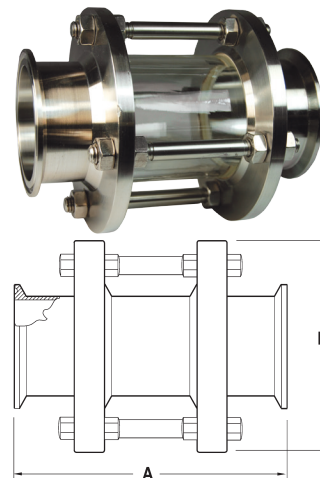
- size range: 1" - 6" OD tube
- finish: 32R_a sanitary finish, ID and OD

In-Line Sight Glasses - B54BMP

Features:

- clamp, weld, bevel seat, John Perry, I-Line and Q-Line configurations are available
- maximum temperature: **200°F (93°C)**

Tube OD	Dimensions		Working Pressure PSI	316L Stainless Steel	
	A	B		Part #	Price/E
1"	5.625"	3.250"	145	B54BMP-R100	\$573.46
1½"	5.625"	4.000"	145	B54BMP-R150	651.08
2"	5.625"	4.250"	145	B54BMP-R200	689.97
2½"	6.125"	4.750"	120	B54BMP-R250	884.15
3"	7.250"	5.500"	120	B54BMP-R300	1039.10
4"	7.375"	6.500"	95	B54BMP-R400	1243.51
6"	7.625"	9.500"	80	B54BMP-R600	6179.50



Pipe, Welding
& Tube Fittings

Seal Kit

Seal kit contains:
(2) black buna gaskets

Size	White Buna	
	Part #	Price/E
1"	B54BMP-SK100	\$10.26
1½"	B54BMP-SK150	10.26
2"	B54BMP-SK200	10.26
2½"	B54BMP-SK250	13.81
3"	B54BMP-SK300	13.81
4"	B54BMP-SK400	13.81
6"	B54BMP-SK600	POR



Replacement Glass

Size	Borosilicate glass	
	Part #	Price/E
1"	B54G-P100	\$284.22
1½"	B54G-P150	329.94
2"	B54G-P200	351.66
2½"	B54G-P250	451.49
3"	B54G-P300	534.29
4"	B54G-P400	635.08
6"	B54G-P600	POR



Sight Glass End Caps - B5416MP

Features:

- for use on any line with a clamp and gasket
- maximum temperature: **150°F (66°C)**
- maximum operating pressure: **100 PSI**

Tube OD	Dimensions		Acrylic	
	A	B	Part #	Price/E
1" - 1½"	.438"	1.984"	B5416MP-A100150	\$74.31
2"	.438"	2.516"	B5416MP-A200	131.80
2½"	.438"	3.047"	B5416MP-A250	123.85
3"	.438"	3.579"	B5416MP-A300	162.17
4"	.438"	4.682"	B5416MP-A400	326.92
6"	.438"	6.562"	B5416MP-A600	705.13

