

JOB NAME:	CONTRACTOR:
JOB LOCATION:	APPROVAL:
ENGINEER:	CONTRACTOR P.O.:
APPROVAL:	REPRESENTATIVE:

8P0177

760005 2-WAY STAINLESS STEEL, ANSI 150 FLANGED, SPLIT BODY STYLE, FULL PORT BALL VALVE WITH **DOUBLE ACTING ACTUATOR**

SIZES 1/2" TO 8"

8P0178

760005 2-WAY STAINLESS STEEL, ANSI 150 FLANGED, SPLIT BODY STYLE, FULL PORT BALL VALVE WITH **SPRING RETURN ACTUATOR**

SIZES 1/2" TO 8"

SPECIFICATIONS

The 8P0177-8P0178 series pneumatic actuator assembled package features the 760005 series Class 150, full port, stainless steel split body, ISO 5211 pad, double D stem, flanged ball valve. This valve is designed to ANSI 16.5, ANSI 16.10, and ANSI 16.34. It is also certified to API 607, 4th edition, API 6FA, and meets NACE MR 0175 and NACE MR 0103.

The Valbia pneumatic actuator comes with a hard-anodized aluminum body, and powder coated end caps. In addition, all Valbia pneumatic actuators are standardly furnished with elevated temperature seals to 302°F. The patented side loaded limit stops never enter the piston chamber eliminating extra possible leak paths.

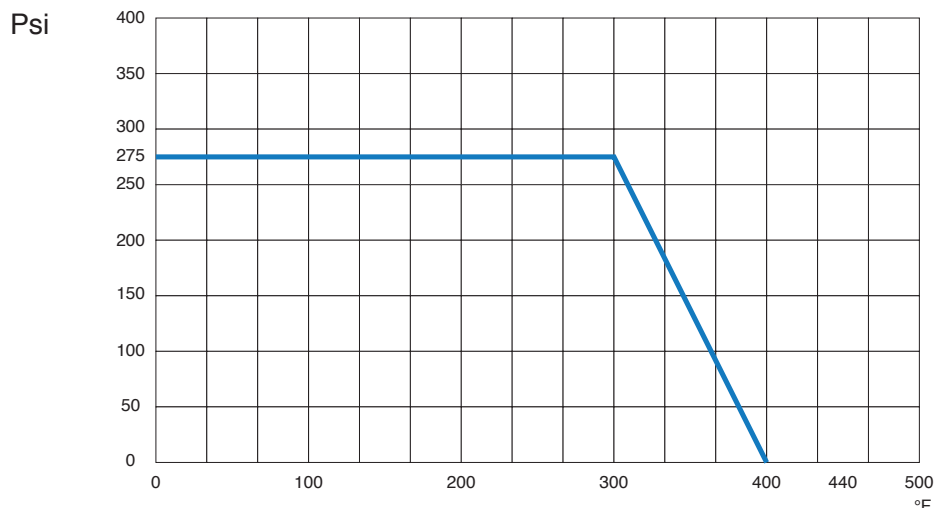
ACTUATOR FEATURES

- Hard anodized extruded aluminum body
- Concentric spring sets
- Die cast aluminum end caps
- Solid steel barstock pinion (not casting)
- 0°-90° rotation adjustment cam
- 0°-90° rotation adjustment bolts
- POM piston guides
- Minimum air pressure rating: 80 psi
- Maximum air pressure rating: 116 psi
- Working temperature: -4°F - 302°F
- No lubrication maintenance required for the entire actuator lifetime
- 100% factory tested

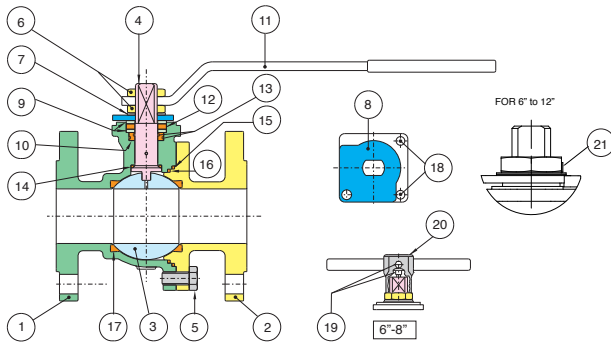
VALVE FEATURES

- Stainless Steel, ANSI class 150 flanged
- Full port, sizes 1/2" to 8"
- Temperature range -4°F to 400°F
- Blow-out proof stem, adjustable stem packing
- P.T.F.E. seats, packing and thrust washer
- 100% tested
- PED 97/23/CE
- ANSI B16.5, B16.10, B16.34 design
- Fire Safe API 6FA-API 607 4th edition
- Antistatic Device
- ISO 5211 mounting pad with double "D" stem

PRESSURE - TEMPERATURE CHART FOR SERIES 760005



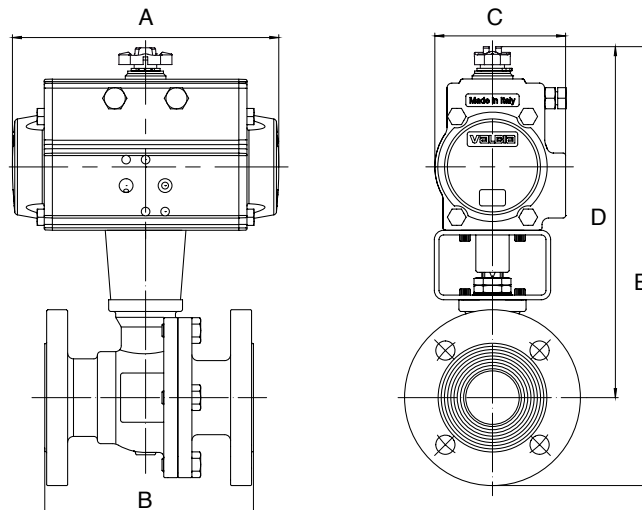
BILL OF MATERIALS FOR 760005



N POS	PART NAME	MATERIAL	N POS
1	BODY	A351 CF8M	1
2	END CONNECTION	A351 CF8M	1
3	BALL	A479-316/A351 CF8M	1
4	STEM	A479-316	1
5	SCREW	STAINLESS STEEL	4-8-12
6	NUT	STAINLESS STEEL	1-2
7	SPRING WASHER	STAINLESS STEEL	2
8	TRAVEL STOP	STAINLESS STEEL	1
9	PACKING GLAND	STAINLESS STEEL	2
10	STEM SEAL	P.T.F.E.	1
11	HANDLE	STAINLESS STEEL	1

N POS	PART NAME	MATERIAL	N POS
12	STEM SEAL	GRAPHOIL	1
13	O-RING	FKM (Viton®)	2
14	THRUST WASHER	P.T.F.E.	1
15	SEAL	GRAPHOIL	1
16	SEAL	P.T.F.E.	1
17	BALL SEATS	P.T.F.E.	2
18	SCREW	STAINLESS STEEL	2
19	SCREW	STAINLESS STEEL	2
20	BODY HANDLE	CAST IRON	1
21	UNSCREWING GROWER	A182-F316	1

DIMENSIONS



8P0177

760005 W/ **DOUBLE ACTING** ACTUATOR

Size	A	B	C	D	E	ACT. DA
1/2"	4.33	4.25	1.77	5.82	7.59	32
3/4"	5.55	4.61	2.80	7.44	9.40	52
1"	5.55	5.00	2.80	8.14	10.31	52
1-1/2"	6.46	6.50	3.17	9.80	12.36	63
2"	8.27	7.01	3.72	10.82	13.77	75
3"	9.47	7.99	4.17	13.11	16.85	85
4"	10.83	9.02	4.84	14.17	18.70	100
6"	14.65	15.51	5.83	18.18	23.70	125
8"	17.13	17.99	6.46	20.74	27.55	140

8P0178

760005 W/ **SPRING RETURN** ACTUATOR

Size	A	B	C	D	E	ACT. SR
1/2"	5.55	4.25	2.80	7.28	9.05	52
3/4"	6.46	4.61	3.17	7.87	9.84	63
1"	6.46	5.00	3.17	8.58	10.74	63
1-1/2"	9.47	6.50	3.72	11.06	13.62	85
2"	10.83	7.01	4.84	11.88	14.84	100
3"	14.65	7.99	5.83	15.47	19.21	125
4"	14.65	9.02	5.83	16.02	20.55	125
6"	19.69	15.51	7.32	19.99	25.51	160
8"	19.69	17.99	7.32	21.69	28.50	160