



JOB NAME:	CONTRACTOR:
JOB LOCATION:	APPROVAL:
ENGINEER:	CONTRACTOR P.O.:
APPROVAL:	REPRESENTATIVE:

8E0720-00* - 8E0721-00* - 8E0722-00*
FNPT THREADED SOCKET WELD BUTT WELD

720LL DIRECT MOUNT, 3-PC, 2-WAY STAINLESS STEEL, FULL PORT BALL VALVE IN NPT, SW OR BUTT WELD W/VALBIA ELECTRIC ACTUATOR SIZES 1/4" TO 4"

*001	12V AC/DC	*002	24V AC/DC	*003	100-240V AC
01	BATTERY BACKUP	*02*	POSITIONER	*04*	BATTERY BACKUP W POSITIONER

SPECIFICATIONS

The Bonomi 8E0720-8E0721-8E0722 series features a complete ISO direct mount with square stem, full port 3-piece ASTM A-351 type CF8M stainless steel ball valve, with TFM-1600 seats and a 1000 psi pressure rating. It also features a multiple V-ring style stem packing and Belleville washers for live loading.

The actuator is a Valbia VB series, incorporating standard dual voltages, 2 extra limit switches, a heater & thermostat, torque limiter, ISO dual patterns, square drive, position indicator, PG11 connections, and a 75% duty cycle.

Optional equipment includes positioning boards, and battery back-up fail safe models.

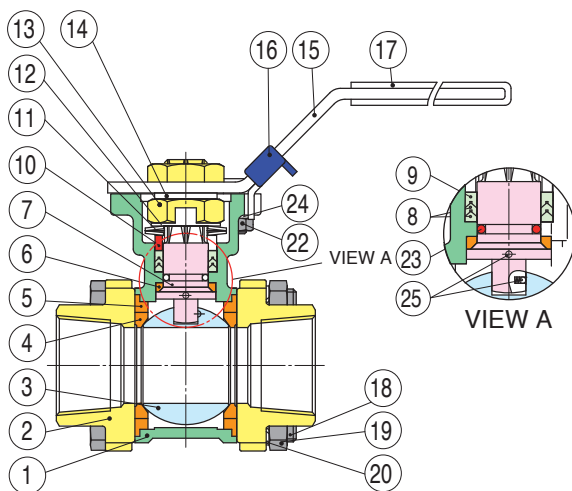
ACTUATOR FEATURES

- NEMA 4, 4X Housing
- 12V/24V AC/DC and 100-240V AC Models Available
- ISO 5211 dual patterns
- VB015 -12/24V AC - 50% Duty Cycle
- VB030-VB110 - 12/24V DC and 100-240V AC - 75% Duty Cycle
- High-Strength, Impact Resistant IP67 Technopolymer Housing
- Temperature Range -4°F to 131°F
- PG11 Electrical Connection/Optional 1/2" Conduit

VALVE FEATURES

- 3-piece CF8M body
- Full port, sizes 1/4" to 4"
- ISO 5211 mounting pad w/ square stem
- Pressure rating 1/4" to 2" 1000 psi, 2-1/2" to 4" 800 psi - 150 psi steam
- Temperature range -4°F to +400°F
- Blow out proof stem, multi-layer V-ring adjustable stem packing
- TFM-1600 seats, P.T.F.E. packing and thrust washer

BILL OF MATERIALS FOR 720LL / 721LL / 722LL



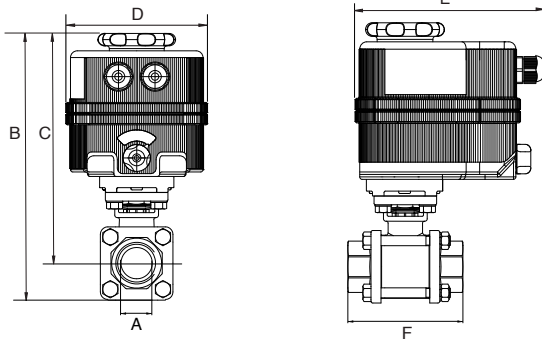
N POS	PART NAME	MATERIAL	N PCS
1	BODY	CF8M	1
2	END CAP	CF8M	2
3	BALL	SS316	1
4	SEAT	TFM-1600	2
5	JOIN GASKET	P.T.F.E.	2
6	STEM SEAL	R.T.F.E.	1
7	STEM	SS316	1
8	STEM PACKING	P.T.F.E.	1
9	STEM PACKING	25% FIBERGLASS + P.T.F.E.	*
10	GLAND	SS304	1
11	BELLEVILLE WASHER	SS304	2
12	LOCK SADDLE	SS304	1
13	STEM NUT	SS304	2

N POS	PART NAME	MATERIAL	N PCS
14	STEM WASHER	SS304	1
15	HANDLE	SS304	1
16	LOCKING DEVICE	SS304	1
17	HANDLE SLEEVE	VINYL	2
18	BOLT	SS304	*
19	BOLT NUT	SS304	*
20	BOLT WASHER	SS304	*
21	STOP PIN	SS304	1
22	PIN NUT	SS304	1
23	O-RING	VITON	1
24	WASHER	SS304	1
25	ANTI-STATIC DEVICE	SS316	1
26	SPRING	SS316	1

*VARIES WITH SIZE

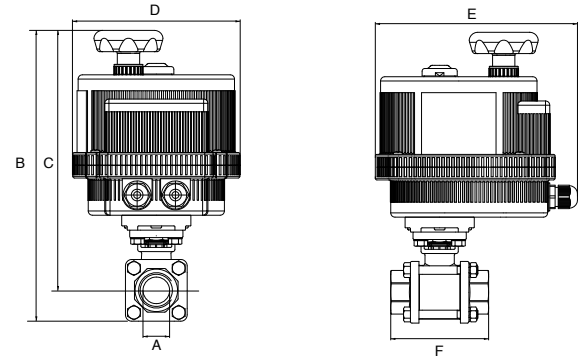
VB015

SIZES 1/4" THROUGH 1-1/4"



VB030-VB190

SIZES 1-1/2" THROUGH 4"



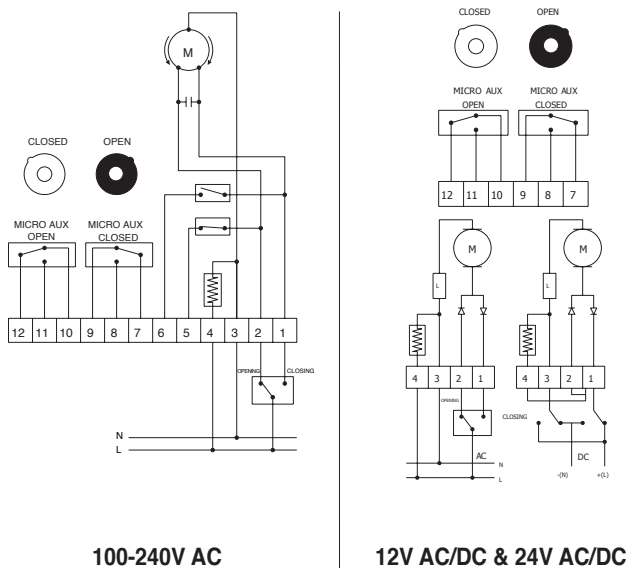
DIMENSIONS

Size	A	B	C	D	E	F	ACT.
1/4"	.250	10.05	9.14	4.84	6.46	2.23	VB015
3/8"	.375	10.18	9.27	4.84	6.46	2.23	VB015
1/2"	.500	10.30	9.39	4.84	6.46	2.59	VB015
3/4"	.750	11.14	10.10	4.84	6.46	3.00	VB015
1"	1.00	14.09	12.86	6.18	6.18	3.39	VB030
1-1/4"	1.25	14.62	13.33	6.18	6.18	4.05	VB030
1-1/2"	1.50	17.74	16.06	7.28	7.28	4.70	VB060
2"	2.00	19.00	17.16	7.28	7.28	5.17	VB060
2-1/2"	2.50	22.55	20.20	8.31	8.31	6.46	VB110
3"	3.00	23.95	21.40	8.31	8.31	7.19	VB110
4"	4.00	26.45	23.58	8.31	8.31	9.28	VB190

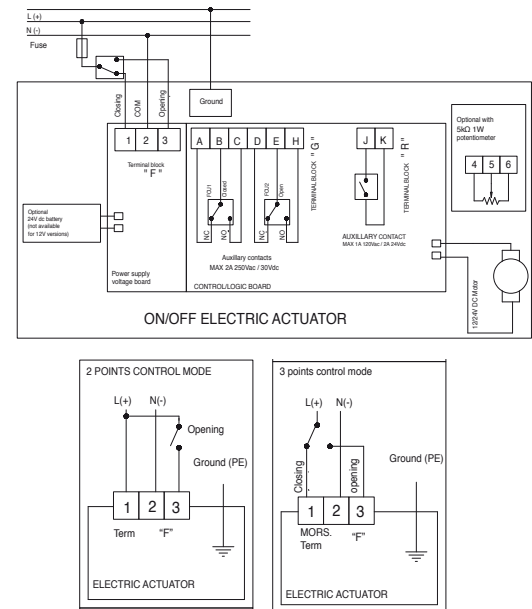
ON/OFF WIRING DIAGRAMS

12V AC/DC, 24V AC/DC & 100-240VAC

VB015 WIRING

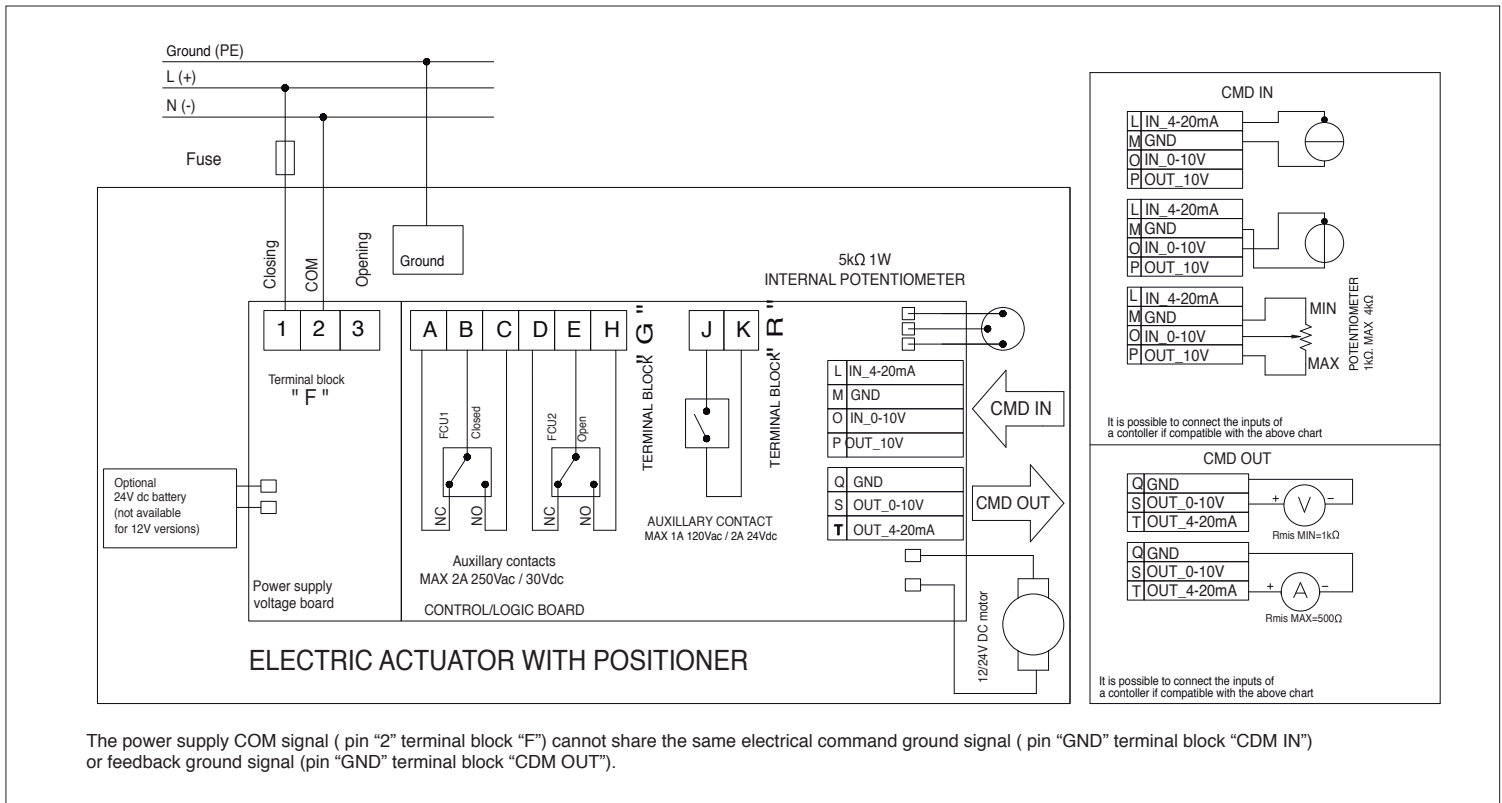


VB030-VB190 WIRING



POSITIONER WIRING DIAGRAM

12V AC/DC, 24V AC/DC & 100-240VAC



3-POSITION WIRING DIAGRAM

12V AC/DC, 24V AC/DC & 100-240VAC

