

HIGH PERFORMANCE BUTTERFLY VALVE



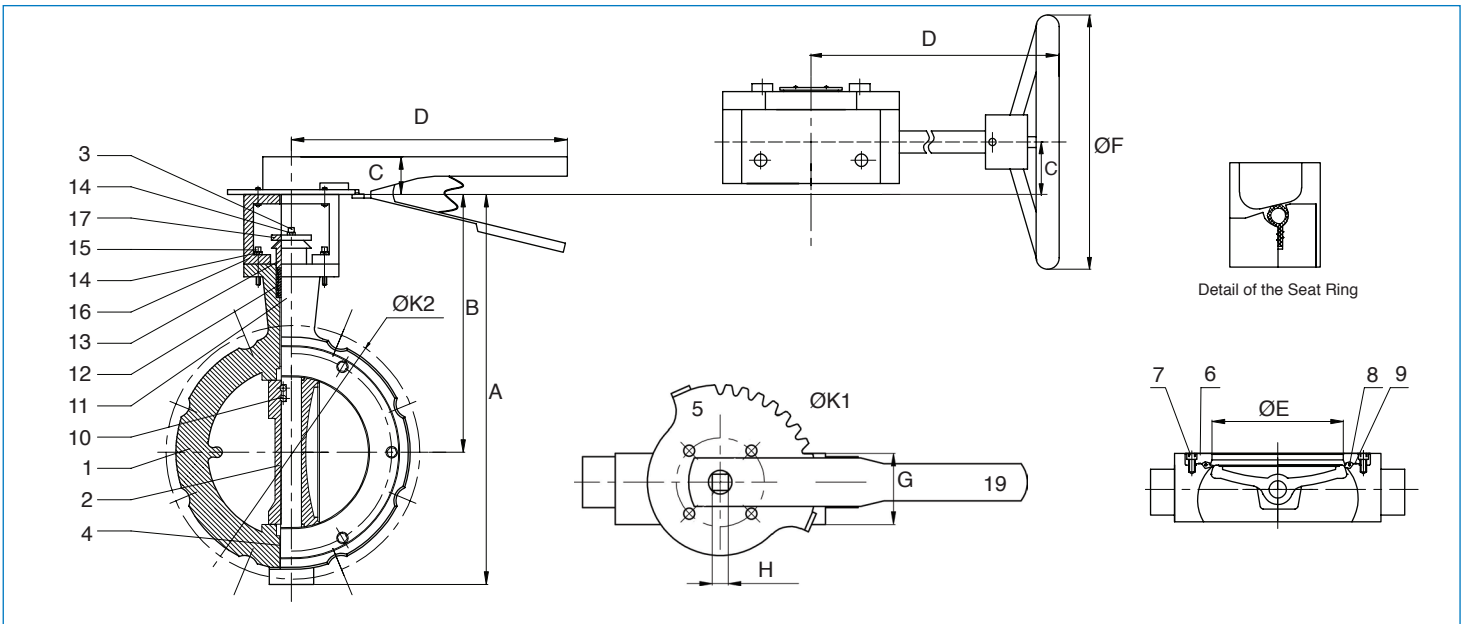
SERIES 8300 - 9300

CARBON STEEL STAINLESS STEEL

Manually operated ANSI 300 class, high performance Wafer style butterfly valves.

- ISO 5211 direct mounting pad/square stem.
- Compact design, easy access to packing.
- Replaceable seat design.
- Multiple V-ring stem packing.
- Reliable and consistent torques.
- R.P.T.F.E seats, metal seats upon request.
- 14" to 24" sizes available upon request.
- 150 WSP.
- Temperature range: -20° F to 475° F.
- Sizes 2" to 12".

G8300-G9300: Gear operated version.



N POS	PART NAME	MATERIAL	N PCS
1	BODY	WCB/CF8M	1
2	DISC	CF8M	1
3	STEM BOLT	SS 304	2
4	STEM BUSHING	SS 316 + PTFE	3
5	PLATE	SS 304	1
6	SEAT RETAINER	WCB/CF8M	1
7	RETAINER SCEW	SS 304	6-8
8	O-RING	VITON®	1
9	SEAT	CARBON FILLED P.T.F.E	1
10	PIN	SS 316	2
11	STEM	AISI 17-4PH	1
12	V-RING	PTFE	6-9
13	GLAND BUSHING	SS 316	1
14	SPRING WASHER	SS 304	4
15	HEX BOLT	SS 304	4
16	MOUNTING FLANGE	WCB/CF8M	1
17	GLAND	CF8M	1
18	NUT	SS 304	2
19	HANDLE	MALLEABLE IRON	1

SIZE	A	B	C	D	ØE	ØF	G	H	ISO 5211	ØK2	Break torque	psi carbon-stainless	Cv	Weight Lbs
2"	9.41	6.42	1.26	10.5	2.45	C/F	1.75	11	F07	5 x 8	253	740/720	102	11.24
2-1/2"	9.13	6.42	1.26	10.5	2.91	C/F	1.88	11	F07	5.88 x 8	277	740/720	146	13.01
3"	10.39	7.4	1.26	10.5	3.37	C/F	1.92	11	F07	6.625 x 8	295	740/720	228	14.77
4"	11.73	8.23	1.26	10.5	4.25	C/F	2.13	14	F07	7.875 x 8	428	740/720	451	20.94
5"	13.32	9.07	1.26	10.5	5.3	C/F	2.25	17	F07	9.25 x 8	723	740/720	714	28.5
6"	14.53	9.61	1.26	10.5	6.4	C/F	2.31	17	F07	10.625 x 12	1125	740/720	1103	35.71
8"	17.92	10.76	1.26	13.9	8.35	C/F	2.88	17	F10	13 x 12	1903	740/720	2064	56.22
10"	19.74	11.88	1.54	8.9	10.16	11.8	3.25	22	F10	15.25 x 16	3496	740/720	3517	77.16
12"	24.55	14.74	1.54	8.9	11.93	11.8	3.62	27	F14	17.75 x 16	5176	740/720	4837	123.46