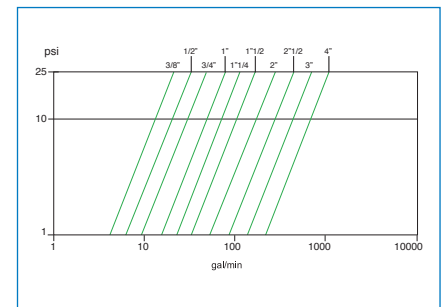
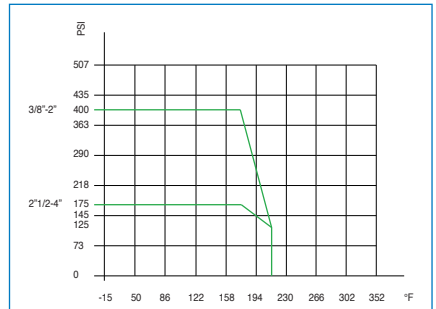
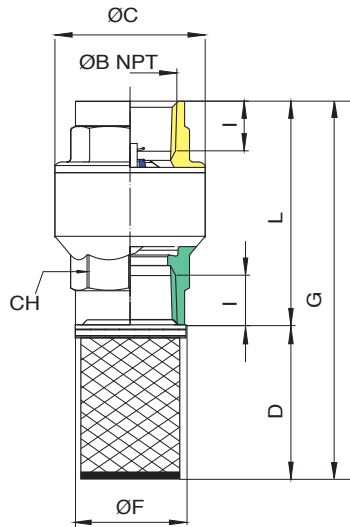
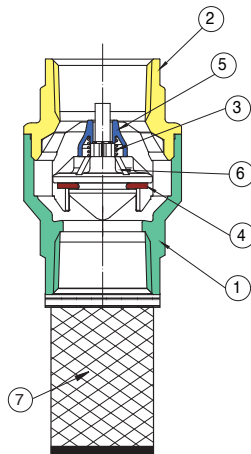




SERIES 100102 FOOT VALVE

High flow rate, brass FNPT threaded, spring loaded foot valve.

- Pressure rating: sizes 3/8"-2" 400 WOG - 2 1/2"-4" 175 WOG.
- Soft seat for bubble tight shutoff, spring loaded for fast seating action.
- Low cracking pressure 1/2 psi.
- Flow pattern to minimize head loss.
- Perfect sealing both at high and low pressure wide temperature range: +10°F to 210°F.
- High technology materials to ensure best resistance in any condition.
- Patented disc to prevent side loading.
- Stainless steel 1000 micron strainer.
- Not to be used for drinking water.
- ANSI B1.20.1 connections.



N POS	PART NAME	MATERIAL	N PCS
1	BODY	BRASS C38000	1
2	END CONNECTION	BRASS C38000	1
3	SPRING	STAINLESS STEEL	1
4	SEAT	NBR	1
5	SUPPORT	POM	1
6	DISC	POLYETHERIMIDE	1
7	SCREEN	STAINLESS STEEL NYLON 1000 MICRON	1

SIZE	L	ØB	ØC	D	ØE	ØF	G	CH	I	Cv	psi	Weight Lbs
3/8"	1.73	0.79	1.06	1.67	0.79	0.91	3.41	0.79	0.41	4.28	400	0.21
1/2"	2.32	0.98	1.36	1.69	0.91	1.02	4.02	0.98	0.54	6.71	400	0.36
3/4"	2.56	1.20	1.65	1.89	1.14	1.26	4.45	1.22	0.55	9.95	400	0.52
1"	2.76	1.48	1.93	1.89	1.50	1.61	4.65	1.50	0.66	15.97	400	0.80
1 1/4"	2.93	1.87	2.40	2.24	1.77	1.93	5.18	1.89	0.68	23.37	400	1.26
1 1/2"	3.17	2.11	2.87	2.68	1.97	2.17	5.85	2.13	0.68	35.75	400	1.76
2"	3.37	2.68	3.46	3.27	2.44	2.64	6.63	2.64	0.70	56.46	400	2.39
2 1/2"	4.37	3.23	4.39	3.29	3.23	3.39	7.66	3.27	0.93	91.87	175	4.98
3"	4.86	3.84	5.24	3.90	3.70	3.90	8.76	3.86	1.02	144.51	175	7.27
4"	5.41	5.00	6.42	4.53	4.61	4.80	9.94	5.04	1.09	224.92	175	12.22

WARNING: This product can expose you to chemicals including lead, which is known to the State of California to cause cancer and birth defects or other reproductive harm. For more information go to www.p65warnings.ca.gov.

