

SERIES 100002 - 100003 CHECK VALVE

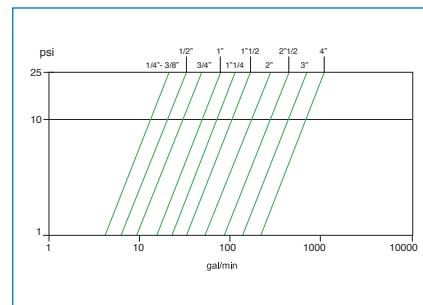
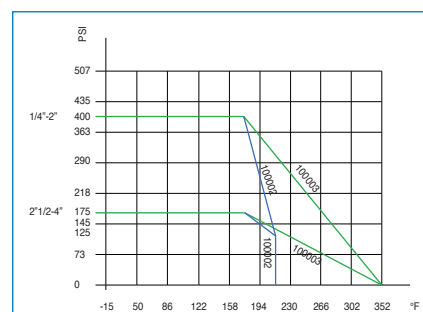
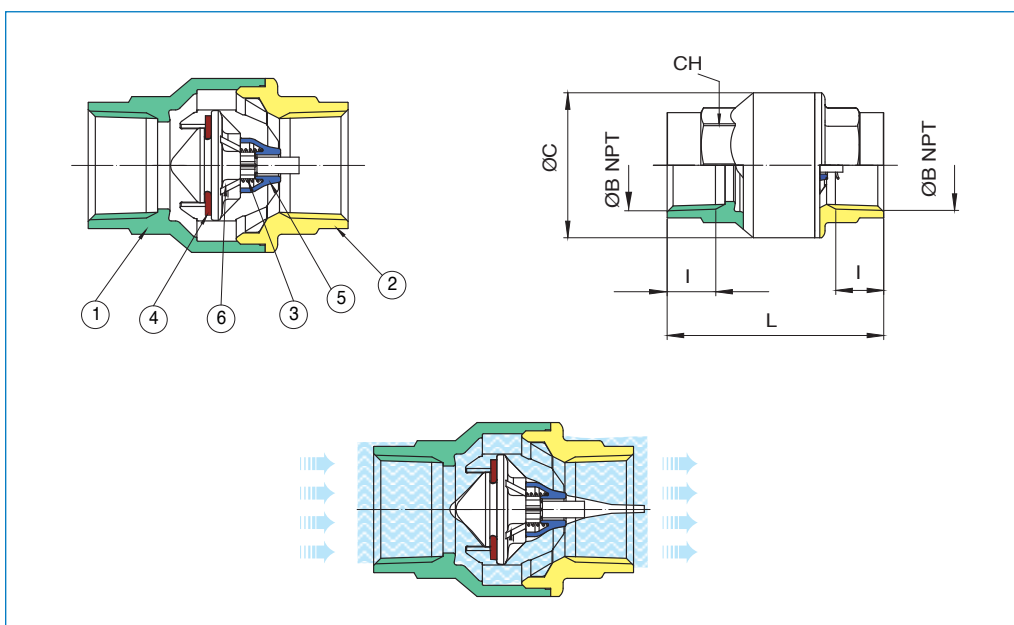
High flow rate brass, FNPT threaded, in-line spring loaded check valve.

- Pressure rating: size 1/4"-2" 400 WOG / 2 1/2"-4" 175 WOG.
- Soft seat for bubble tight shutoff, spring loaded for fast seating action.
- Low cracking pressure 1/2 psi.
- Flow pattern to minimize head loss.
- Perfect sealing both at high and low pressure wide temperature range: +10° to 210°F.
- High technology materials to ensure best resistance in any condition.
- Patented disc to prevent side loading.
- Not to be used for drinking water.
- ANSI B1.20.1 connections.

100002: NBR for water, oils and general purpose.

100003: with Viton® seal for fuels and hydrocarbons.

Max working TEMPERATURE 366°F/125 psi steam - 3/8"-4".



N POS	PART NAME	MATERIAL	N PCS
1	BODY	BRASS C38000	1
2	END CONNECTION	BRASS C38000	1
3	SPRING	STAINLESS STEEL AISI 302	1
4	SEAT	100002 NBR	1
		100003 FKM (Viton®)	1
5	SUPPORT	POM	1
6	DISC	POLYETHERIMIDE	1

SIZE	L	ØB	ØC	I	CH	Cv	psi	Weight Lbs
1/4" *	1.73	0.79	1.06	0.39	0.79	4.28	400	0.22
3/8"	1.73	0.79	1.06	0.41	0.79	4.28	400	0.37
1/2"	2.32	0.98	1.36	0.54	0.98	6.71	400	0.32
3/4"	2.56	1.20	1.65	0.55	1.22	9.95	400	0.49
1"	2.76	1.48	1.93	0.66	1.50	15.97	400	0.68
1 1/4"	2.93	1.87	2.40	0.68	1.89	23.37	400	1.12
1 1/2"	3.17	2.11	2.87	0.68	2.13	35.75	400	1.61
2"	3.37	2.68	3.46	0.70	2.64	56.46	400	2.28
2 1/2"	4.37	3.23	4.39	0.93	3.27	91.87	175	4.83
3"	4.86	3.84	5.24	1.02	3.86	144.51	175	6.70
4"	5.41	5.00	6.42	1.09	5.04	224.92	175	12.43

* Art. 100003 not available in 1/4" size.

WARNING: This product can expose you to chemicals including lead, which is known to the State of California to cause cancer and birth defects or other reproductive harm. For more information go to www.p65warnings.ca.gov.

