

"Apollo" Valves
INTERNATIONAL

SUBMITTAL SHEET

LEAD FREE

— LD141/WD141 Series —

Resilient Seated **Butterfly Valves**



Job Name:	
Job Location:	
Engineer:	
Contractor:	
Tag:	
PO Number:	
Representative:	
Wholesale Distributor:	

DESCRIPTION

The Apollo International® LD141/WD141 Series Ductile Iron Butterfly Valves are ideal for use in Industrial and Commercial/HVAC/Mechanical applications. The WD141 Series is a wafer style valve and the LD141 Series is a companion lug style. Available in sizes 2" - 24" lug and 2" - 12" wafer.

FEATURES

- Compatible with ANSI 125# & 150# Flanges
- ISO 5211 Top Plate Allows Choice of Apollo® Pneumatic Actuators and manual operators
- Conforms to MSS SP-67 & API 609
- LD141 Series Suitable for End of Line Service to Rated Pressure (2" - 12")
- 3" - 24" meet performance requirements of AWWA C-504

PERFORMANCE RATING

- Pressure Rating: 2" to 12": 200 psi
- Pressure Rating: 14" to 24": 150 psi

APPROVALS

- NSF/ANSI 372 Lead Free
- NSF/ANSI 61 Water Quality*
- CRN 0C12102.8CL

*NSF 61 does not apply to ductile iron disc option

MATERIAL OPTIONS

Body

- Ductile Iron ASTM A536, (65-45-12)

Disc Material

- Aluminum Bronze
- Ductile Iron A536 Nickel Plated*
- Stainless Steel, CF8M

Seat Material

- EPDM: -20°F to +250°F Intermittent, 225°F Continuous
- BUNA-N: +10°F to +180°F

Operator

- -0 - None
- -1 - 10 Position Handle
- -2 - Gear Operator (12" handwheels)
- -3 - Infinite Position Handle
- -4 - Locking Handle
- -5 - Gear Operator w/ Chain Wheel
- -7 - Locking Gear Operator
- -8 - Locking Gear Operator w/ Chain Wheel

STANDARD MATERIALS LIST

Part Name	Material
Body	Ductile Iron ASTM A536
Bushings	Glass Reinforced Epoxy Resin
Stem Seal	Buna-N
Shaft	416 SS ASTM A276 Type 416
Seat	EPDM
	BUNA-N (Nitrile)
Disc	Aluminum Bronze
	Ductile Iron / A536 Nickel Plated*
	Stainless Steel / CF8M

TORQUE RATING * (INCH - LBS)

Valve Size In.	Valve Size mm	Full Rated Pressures (psi)				Flow Cv Full Open
		ΔP 50	ΔP 100	ΔP 150	ΔP 200	
2	50	100	106	111	117	115
2.5	65	150	163	176	189	196
3	80	207	220	232	244	302
4	100	290	323	357	390	600
5	125	423	481	540	598	1022
6	150	599	691	783	875	1579
8	200	1060	1183	1307	1430	3136
10	250	1671	1872	2074	2275	5340
12	300	2568	2795	3023	3250	8250
14	350	2640	3070	3500	N/A	11917
16	400	4260	4880	5500	N/A	16388
18	450	6287	7243	8200	N/A	21705
20	500	8360	9180	10000	N/A	27908
24	600	15427	16813	18200	N/A	43116

* Lubricating media service

WEIGHT

Weight WD141 (lbs.)	Weight LD141 (lbs.)
6	9
8	10
9	11
11	18
15	22
18	26
32	43
47	66
-	102
-	148
-	200
-	277
-	410
-	592

* LEAD FREE: The wetted surfaces of this product shall contain no more than 0.25% lead by weighted average. Complies with Federal Public Law 111-380. ANSI 3rd party approved and listed.

Apollo Valves / **Conbraco Industries, Inc.**
701 Matthews Mint-Hill Road, Matthews, NC 28105 USA
www.apollovalves.com | (704) 841-6000

This specification is provided for reference only. Conbraco Industries Inc. reserves the right to change any portion of this specification without notice and without incurring obligation to make such changes to Conbraco products previously or subsequently sold. Please visit our website @ www.apollovalves.com for the most current information.



"Apollo" Valves
INTERNATIONAL

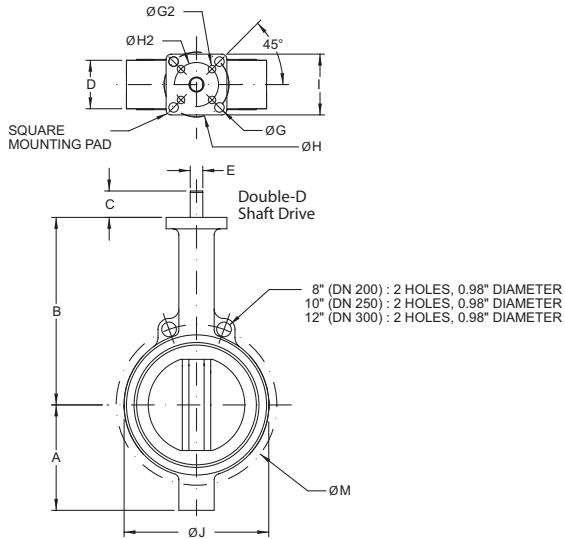
SUBMITTAL SHEET

LEAD FREE

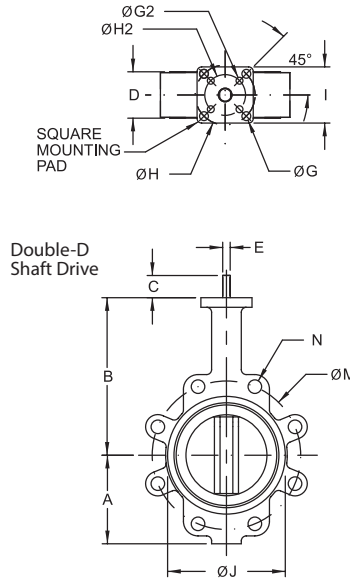
— LD141/WD141 Series —

Resilient Seated **Butterfly** Valves

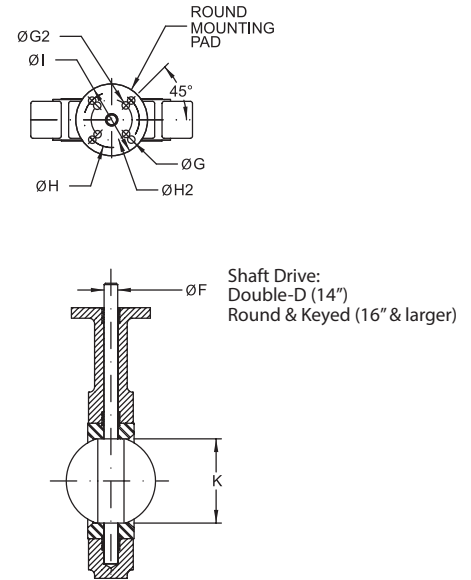
WD MODEL
2" - 12"



LD MODEL
2" - 12"



14" - 24"



DOUBLE-D AND KEYED STEM

Size Inches	Size DN	Dimensions in Inches																	
		A	B	C	D	E	ØF	ØG	ØG2	Key	ØH	ØH2	I	ØJ	K	Disc Chord	M	N (WD)	N (LD)
2	50	3.25	6.375	1.25	1.75	0.394	0.496	0.375	--	--	2.756	--	2.699	4	2.09	1.113	4.75	0.688	.625-11
2.5	65	3.75	6.880	1.25	1.88	0.394	0.496	0.375	--	--	2.756	--	2.699	4.75	2.54	1.706	5.50	0.688	.625-11
3	80	4.00	7.130	1.25	1.88	0.394	0.496	0.375	--	--	2.756	--	2.699	5.13	3.09	2.450	6.00	0.688	.625-11
4	100	4.88	7.880	1.25	2.13	0.472	0.621	0.375	--	--	2.756	--	2.699	6.75	4.09	3.488	7.50	0.688	.625-11
5	125	5.38	8.380	1.25	2.25	0.551	0.745	0.375	--	--	2.756	--	2.699	7.75	4.85	4.296	8.50	0.813	.750-10
6	150	5.88	8.880	1.25	2.25	0.551	0.745	0.375	--	--	2.756	--	2.699	8.63	6.13	5.697	9.50	0.813	.751-10
8	200	7.13	10.250	1.75	2.50	0.669	0.870	0.563	0.438	--	4.921	4.015	4.606	10.56	7.89	7.468	11.75	0.813	.750-10
10	250	8.25	11.500	1.88	2.75	0.866	1.120	0.563	0.438	--	4.921	4.015	4.606	13.06	9.89	9.484	14.25	0.938	.875-9
12	300	9.75	13.250	1.88	3.13	0.945	1.244	0.563	--	--	4.921	--	4.606	16	11.89	11.456	17.00	0.938	.875-9
14*	350	11.00	14.500	1.88	3.13	0.945	1.244	0.563	--	--	4.921	--	Ø5.91	17.13	13.38	13.000	18.75	1.060	1.00-8
16*	400	12.00	15.750	2.00	3.50	--	1.313	0.563	--	0.313	4.921	--	Ø5.91	20	15.38	14.970	21.25	1.060	1.00-8
18*	450	14.38	16.630	2.00	4.25	--	1.500	0.813	--	0.375	6.496	--	Ø8.27	21.38	17.38	16.847	22.75	1.250	1.125-7
20*	500	14.63	18.880	2.50	5.25	--	1.625	0.813	--	0.375	6.496	--	Ø8.27	23.31	19.38	18.650	25.00	1.250	1.125-7
24*	600	18.00	22.130	2.75	6.13	--	2.000	0.813	--	0.500	6.496	--	Ø8.27	27.88	23.38	22.558	29.50	1.380	1.25-7

*LD141 Series only

Apollo Valves / **Conbraco Industries, Inc.**
701 Matthews Mint-Hill Road, Matthews, NC 28105 USA
www.apollovalves.com | (704) 841-6000

This specification is provided for reference only. Conbraco Industries Inc. reserves the right to change any portion of this specification without notice and without incurring obligation to make such changes to Conbraco products previously or subsequently sold. Please visit our website at www.apollovalves.com for the most current information.

