

77FLF-100 Series

Full Port Threaded End Brass Ball Valve

LEAD FREE

SUBMITTAL SHEET

"Apollo" Flow Controls



Job Name:	
Job Location:	
Engineer:	
Contractor:	
Tag:	
PO#:	
Rep:	
Wholesale Dist.:	

DESCRIPTION

The Apollo 77FLF-100 Series is a lead free, full port forged brass ball valve suitable for a wide range of plumbing and heating applications, including potable water. These NPT threaded, 2-piece valves combine reliable operation with maximum economy. Valves include most pertinent agency approvals. Proudly Made in the USA.

FEATURES

- Lead Free* Materials and Approvals
- Heavy Pattern Forged Design
- Full-Port Flow
- Superior RPTFE Seats and Packing
- Adjustable Stem Packing
- Blowout Proof Stem
- Dezincification Resistant Materials
- 100% Factory Tested
- Silicone Free Assembly
- Made in USA, ARRA Compliant

PERFORMANCE RATING

- Rating: 600 CWP (1/4" - 2")
- Rating: 400 CWP (2-1/2" - 4")
- Steam Rating: 150 psi SWP
- Temperature Range: 0°F - 400°F
- Vacuum Service to 29 in. Hg

APPROVALS

- MSS-SP-110 Ball Valves
- IAPMO IGC-157 Ball Valves
- CGA 3.16 (125 PSI)
- CGA CR91-002 (5 PSI)
- ANSI Z21.15/CSA 9.1 (1/2 PSI)
- ASME B16.44 (5 PSI)
- ASME B16.33 (125 PSI) (1/2" - 2")
- FM 1140 (1/4" - 2")
- UL Guides: YSDT, MHKZ, YQNZ, YRBX, YRPV, VQGU (1/4" - 2")
- NSF/ANSI 61 Water Quality
- NSF/ANSI 372 Lead Free

OPTIONS

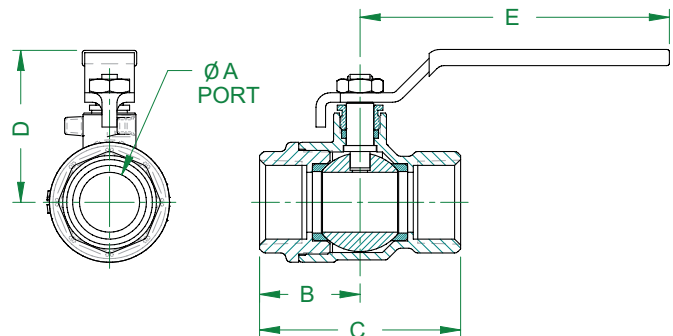
- (-01) Standard Lever
- (-04) 2-1/4" Stem Extension (1/4" - 2-1/2")
- (-07) Tee Handle (1/4" - 2")
- (-11) Therma-Seal™ Insulating Tee Handle (1/4" - 2")
- (-27) Locking Handle SS (1/4" - 2-1/2")
- 77FLF140 Series - SS Ball & Stem

STANDARD MATERIALS LIST

Body	Lead Free Brass, C27451
Seat	RPTFE
Ball	Lead Free Brass, C27451, Chrome Plated (4" is SS)
Stem Packing	RPTFE
Nut	Corrosion Resistant Plated Steel
Stem	Lead Free Brass, C27451
Retainer	Lead Free Brass, C27451
Handle	Plated Steel / Insulated Polyvinyl
Gland	Brass, ASTM B16, C36000

DIMENSIONS

PART NUMBER	SIZE (IN.)	DIMENSIONS (IN.)					WT. (LB.)
		A	B	C	D	E	
77FLF-101-01	1/4"	0.38	0.81	1.62	1.61	2.85	0.3
77FLF-102-01	3/8"	0.38	0.85	1.70	1.61	2.85	0.3
77FLF-103-01	1/2"	0.50	1.14	2.25	1.66	2.85	0.5
77FLF-104-01	3/4"	0.75	1.26	2.51	1.91	3.86	0.8
77FLF-105-01	1"	1.00	1.60	3.20	2.11	3.86	1.3
77FLF-106-01	1-1/4"	1.25	1.73	3.46	2.44	4.75	2.1
77FLF-107-01	1-1/2"	1.50	2.00	4.00	2.91	5.42	3.2
77FLF-108-01	2"	2.00	2.37	4.47	3.69	7.77	5.6
77FLF-109-01	2-1/2"	2.50	2.99	5.98	4.14	7.77	12.8
77FLF-100-01	3"	3.00	3.52	7.05	5.03	9.92	19.7
77FLF-10A-01	4"	4.00	3.83	7.65	5.70	14.78	25.5



Customer Service (704) 841-6000
www.apolloflowcontrols.com

This specification is provided for reference only. Conbraco Industries Inc. reserves the right to change any portion of this specification without notice and without incurring obligation to make such changes to Conbraco products previously or subsequently sold. Please visit apolloflowcontrols.com for the most current information.

